

Interface Connectors for Cellular Telephone IAM-E02

FEATURES

1. Interface connector for cell phones (PDC).
2. This connector has a thin plug and cable assembly.
3. Master key specifications.
4. Parts can be sold separately.



HOW TO ORDER

E02-013-

1 2 3

- 1 Series No. (E02)
- 2 No. of contacts (013:13pins)
- 3 Running No. assigned by us

SPECIFICATIONS

ELECTRICAL CHARACTERISTICS

Rated Voltage	DC 100V
Rated Current	DC 0.5A
Withstanding Voltage	250V AC (rms) 1minute
Insulation Resistance	100MΩ min. (at 100V DC)
Contact Resistance	80mΩmax.

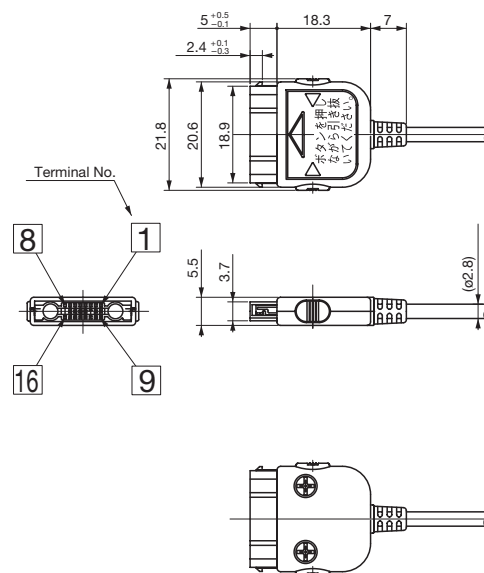
MECHANICAL CHARACTERISTICS

Life (Matching Cycle)	10,000
Total Insertion Force	29.4N (3kgf) max.
Total Withdrawal Force	29.4N (3kgf) max.
Using Temperature Range	-25~+85°C

MATERIAL & FINISH

Component parts	Material	Finish
Plug Housing	Nylon 46	-
Contact	Copper Alloy	Gold plating
Lock Lever	Stainless steel	-
Look Cover	PBT resin	-
Top Case	PBT resin	-
Bottom Case	PBT resin	-

DIMENSIONS



Unit: mm
 ☆ Tolerance: ±0.5