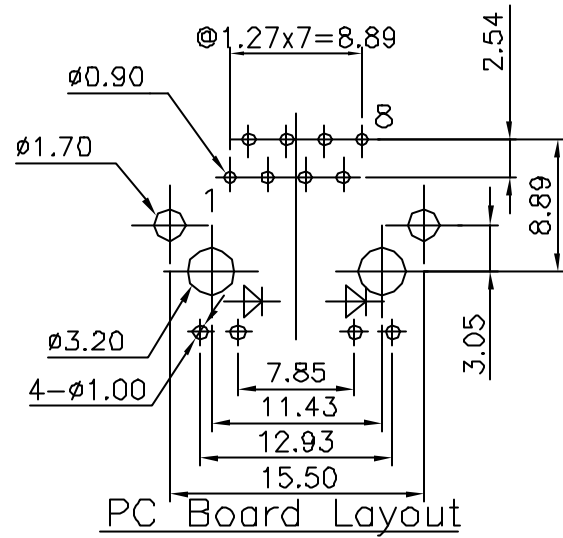
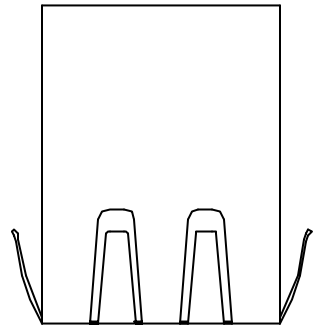
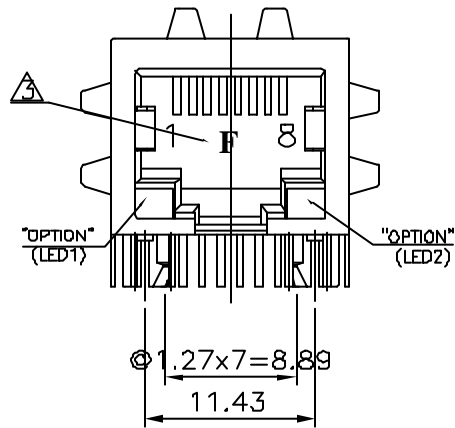


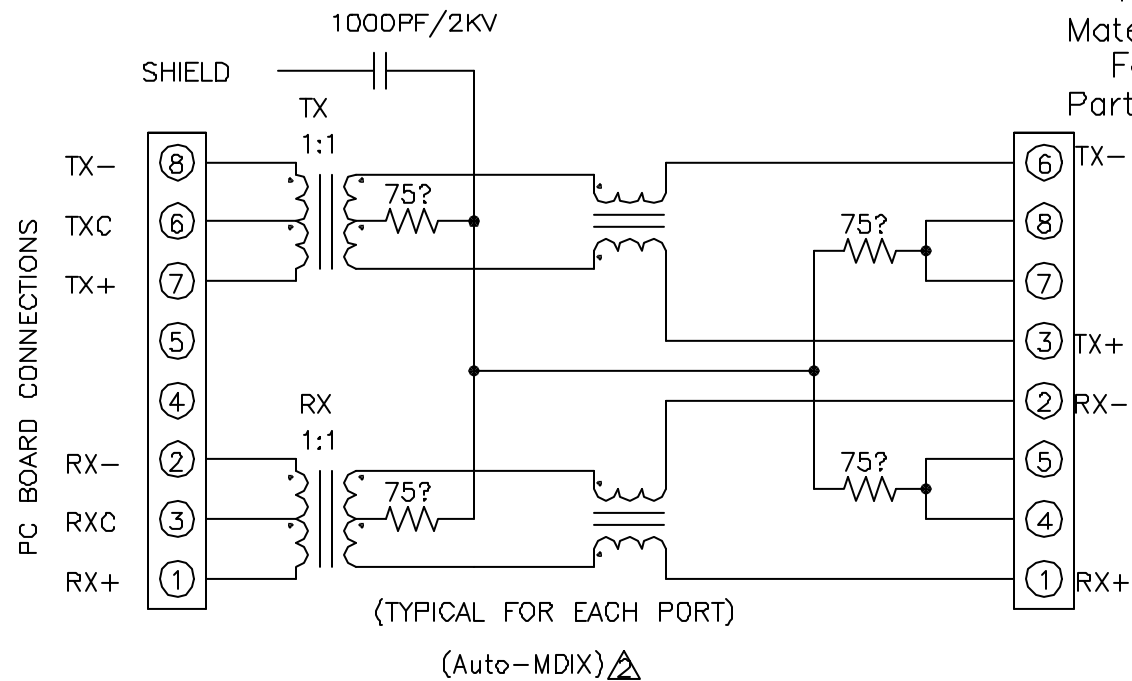
REVISION RECORD				
REV	ECO	DESCRIPTION	DRFT	CHKD
△		ADD P/N	XLF 3/16/02*	
△		Drawing Modification	zzfeng 12/07/02	
△		Drawing Modification	ZJP 08/28/03	



PC Board Layout
Component Side Shown



Schematic:



NOTES:

Characteristics Description:

1. RJ45 10/100 Base-Tx Transformer Jack With Transformer/ Impedance Resistor/High Voltage Capacitor.
2. Size Same As RJ-45 Modular Jack To Save PCB Board Space.
3. Reduce EMI Radiation, Improve EMI Performance.
4. Designed For Network Interface Card Application.
5. Designed To Meet IEEE 802.3u Requirement.
6. Designed For 100 Base Transmission over UTP-5 Cable.
7. Operation Temperature Range: 0°c To 70°c

Electrical Specification:

1. Inductance At 100 KHZ, 100 mV DC Bias: 350 uH MIN
2. C W/W (PF MAX): 40 PF
3. Leakage Inductance At 100 KHZ DC 100 mV: 0.3 uH MAX
4. Insertion Loss: 1.0 dB MAX @ 1-80 MHZ
1.2 dB MAX @ 100 MHZ
5. Return Loss: 14 dB MIN @ 1-60 MHZ
10 dB MIN @ 60-100 MHZ
6. Cross Talk: 35 dB MIN @ 1-80 MHZ

Mechanical:

1. Housing Material : Glass Filled Polyester UL94V-0.
2. Contact Mateial : Phosphor Bronze t=0.35mm.
3. Plating : 1: Contact Area- Selectine Gold Plating.
2: Tails- 150u" Tin-Lead Min Over 50u" Nickel.
4. Operating Life : 750 Cycles Min.
5. Pcb Retention Pre-Solder : 1 Lb Min.
6. Pcb Retention Post-Solder : 10 Lbs Min.

Environmental:

1. Storage : -40°c To+85°c.

Mates With Modular Plug Conforming To
Fcc Part 68, Subpart F.

Part Number: E5TAB-XX07XX

- 1-3u"
- 2-5u"
- 3-15u"
- 4-30u"
- 5-50u"
- B-W/O LOGO W/LED INSIDE LED PIN DISTANCE7.85 LED1:YELLOW,LED2:GREEN
- △ C-W/F LOGO W/LED INSIDE LED PIN DISTANCE7.85 LED1:YELLOW,LED2:GREEN
- G-W/F LOGO W/LED INSIDE LED PIN DISTANCE7.85 LED1:GREEN,LED2:GREEN
- △ H-W/O LOGO W/LED INSIDE LED PIN DISTANCE7.85 LED1:GREEN,LED2:GREEN

← MM (INCH) →		DFTO XLF	DATE 01/07/02	FULL RISE ELECTRONIC CO., LTD	
TOLERANCES EXCEPT AS NOTED		CHKD JAKE	DATE 2003/07/26		
MM		MFO	DATE	TITLE	
.0 ±0.2	±	APPV LUSHENG DATE 2003/07/26		FRE TRANSFORMER LED JACK	
.00 ±0.15	±	MATERIAL :		DRAWING NO. GEST3014	
.000 ±0.075	±	MATERIAL :		/PART NO. SEE NOTE	
ANGLES ± 0.5		QT'Y :		SIZE A3	
THIRD ANGLE PROJECTION		FINISH :		REV 3	
		SCALE : 2 : 1		06/26/03	
DO NOT SCALE DRAWING				SHEET 1 OF 1	