

SPECIFICATIONS

Mechanical

Contact Retention Force: 1.36KGF Min
Durability: 500 Cycles

Electrical

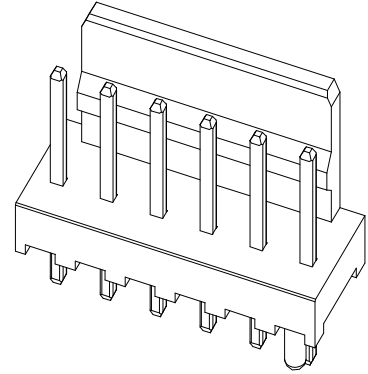
Voltage Rating: 500V
Current Rating: 1.0A per pin min
Dielectric Withstanding Voltage: 750V
Insulation Resistance: 1000MW min

Physical

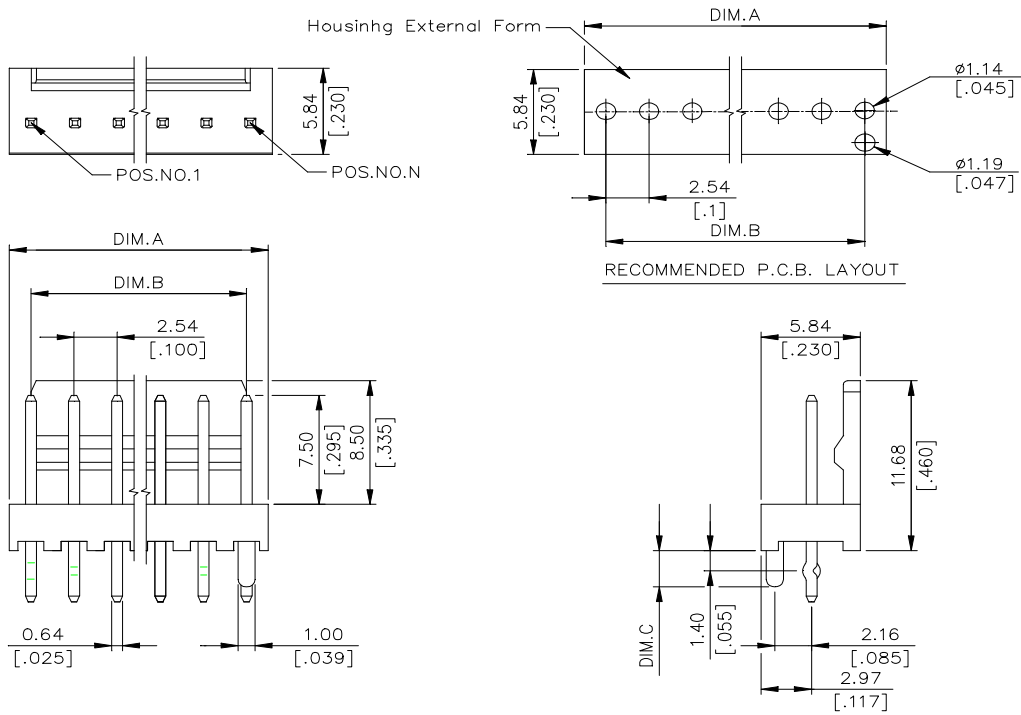
Housing: Thermoplastic, Glass Filled, UL94V-0 Rating
Contact: Copper Alloy
Plating: See "ORDERING INFORMATION"
Operating Temperature: -40 to +105

Friction Header Connector

HF06 Series
Friction T/H Type
2.54mm [.100"] Pitch



DRAWING



ORDERING INFORMATION

PRODUCT NO.: HF06***-***

Header
 Friction Lock
 Termination & Contact Type
 No. Of Pos
 2=2 Pos
 •
 •
 •
 16=16 Pos
 Optional For Plating
 0=100u" Tin/Lead
 1=Gold Flash
 E=100u" min. Tin with Lead free "RoHS COMPLIANCE"

Optional For Modification Code
 None: No Guide Post, DIM.C=3.54
 P1: One Guide Post, DIM.C=3.54
 C1: One Guide Post, DIM.C=2.30
 P3: No Guide Post, DIM.C=3.54 & 2ND Position Omitted
 Optional For Housing Color&Kink
 None: Standard Product,Color Black
 K:The 1st, 2nd, N-1, & N POS. of Terminal with Kink
 N:Color Ivory

HF0606*- * **	6	15.24 [.600]	12.70 [.500]
HF0605*- * **	5	12.70 [.500]	10.16 [.400]
HF0604*- * **	4	10.16 [.400]	7.62 [.300]
HF0603*- * **	3	7.62 [.300]	5.08 [.200]
HF0602*- * **	2	5.08 [.200]	2.54 [.100]
P/N	POS.	DIM. A	DIM. B