

### 0.050" SCSI FINE PITCH OVER 0.050" SCSI FINE PITCH STACKED RIGHT ANGLE METAL SHELL



#### PHYSICAL PROPERTIES

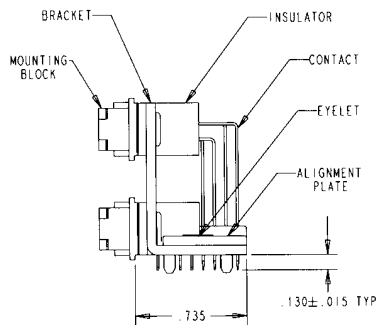
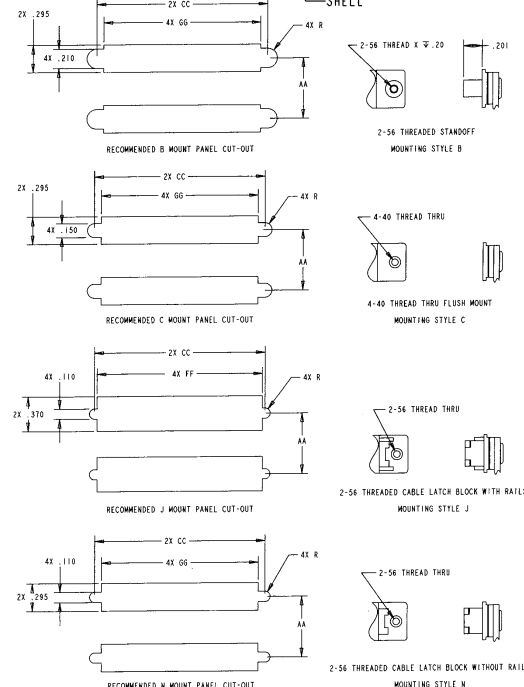
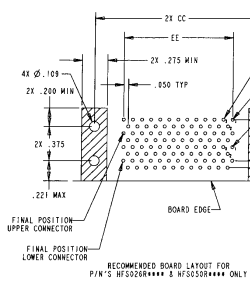
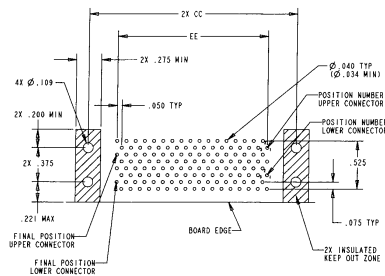
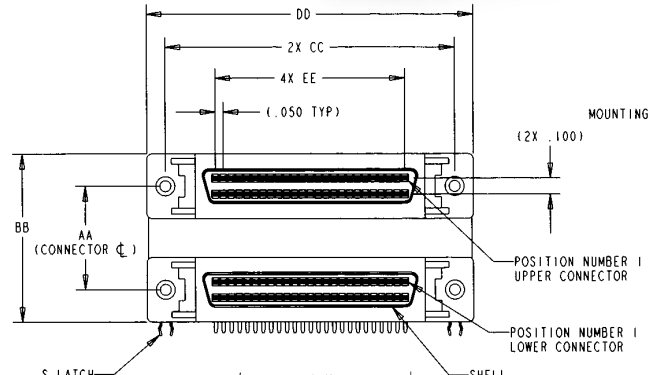
**INSULATOR AND ALIGNMENT PLATE:** Thermoplastic, UL 94V-O rated, Reflow solder compatible.  
**COLOR:** Black  
**CONTACT:** High strength copper alloy; Selectively plated with 30μ inches gold in the contact area; 60/40 Tin/Lead plate over tail area; nickel underplate overall.  
**BRACKET MATERIAL:** Nickel plated steel  
**SHELL MATERIAL:** Tin plated steel  
**SHIELD MATERIAL:** Stainless steel  
**END BLOCK MATERIAL:** Nickel plated zinc alloy  
**SNAP LATCH MATERIAL:** Tin plated high strength copper alloy  
**EYELET MATERIAL:** Brass

#### ELECTRICAL PROPERTIES

**CURRENT RATING:** <1 amperes  
**INSULATION RESISTANCE:** >1000 Megohms  
**Dielectric Strength:** >1000 Volts AC at sea level

#### ENVIRONMENTAL PROPERTIES

**TEMPERATURE RATING:** -55°C to +125°C



#### Ordering Information

# OF DUAL POSITIONS	FEMALE OVER FEMALE				AA	BB	CC	DD	EE	J MOUNT ONLY FF	B, C & N MOUNT ONLY GG
	THREADED INSERTS	THREADED ROUND FEMALE STANDOFFS	THREADED CABLE LATCH BLOCK W/ RAILS	THREADED CABLE LATCH BLOCK W/O RAILS							
26/26	HFS26R129C	HFS26R129B	HFS26R129J	HFS26R129N	.600	1.006	1.230	1.465	.600	1.175	1.085
	HFS26R229C	HFS26R229B	HFS26R229J	HFS26R229N	.650	1.056	1.230	1.465	.600	1.175	1.085
	HFS26R329C	HFS26R329B	HFS26R329J	HFS26R329N	.500	0.906	1.230	1.465	.600	1.175	1.085
50/50	HFS50R129C	HFS50R129B	HFS50R129J	HFS50R129N	.600	1.006	1.830	2.065	1.200	1.775	1.685
	HFS50R229C	HFS50R229B	HFS50R229J	HFS50R229N	.650	1.056	1.830	2.065	1.200	1.775	1.685
	HFS50R329C	HFS50R329B	HFS50R329J	HFS50R329N	.500	0.906	1.830	2.065	1.200	1.775	1.685
68/68	HFS68R129C	HFS68R129B	HFS68R129J	HFS68R129N	.600	1.006	2.280	2.515	1.650	2.225	2.135
	HFS68R229C	HFS68R229B	HFS68R229J	HFS68R229N	.650	1.056	2.280	2.515	1.650	2.225	2.135
	HFS68R329C	HFS68R329B	HFS68R329J	HFS68R329N	.500	0.906	2.280	2.515	1.650	2.225	2.135
120/120	HFS12R129C	HFS12R129B	HFS12R129J	HFS12R129N	.600	1.006	3.580	3.815	2.950	3.525	3.435
	HFS12R229C	HFS12R229B	HFS12R229J	HFS12R229N	.650	1.056	3.580	3.815	2.950	3.525	3.435
	HFS12R329C	HFS12R329B	HFS12R329J	HFS12R329N	.500	0.906	3.580	3.815	2.950	3.525	3.435

Add suffix E for EMI Shield Cover.