

POWER MATE™ HEADER IPBT SERIES

SPECIFICATIONS

For considerations see www.samtec.com IPBT

Insulator Material:
Black Liquid Crystall Polymer
Polymer



Contact Material:
High Copper Alloy

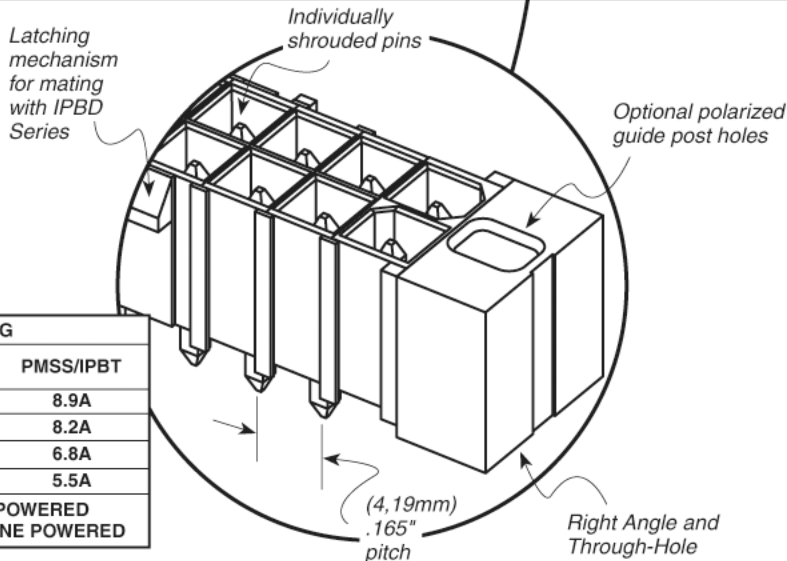
Plating:
Sn over 50µ (1.27µm) Ni
Operating Temp Range:
-40 C to +105 C

RoHS Compliant:
Yes

Processing:

Max Processing Temp:
230 C for 60 seconds, or
260 C for 20 seconds 3x
Lead-Free Solderable:
Yes

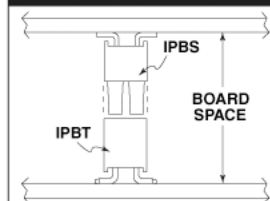
Mates with:
IPBS, IPBD, PMSD,
PMS, SCR1



CURRENT RATING		
AMBIENT TEMP	IPBS/IPBT	PMSS/IPBT
20°C	17A	8.9A
40°C	15.5A	8.2A
60°C	12.8A	6.8A
75°C	10.4A	5.5A

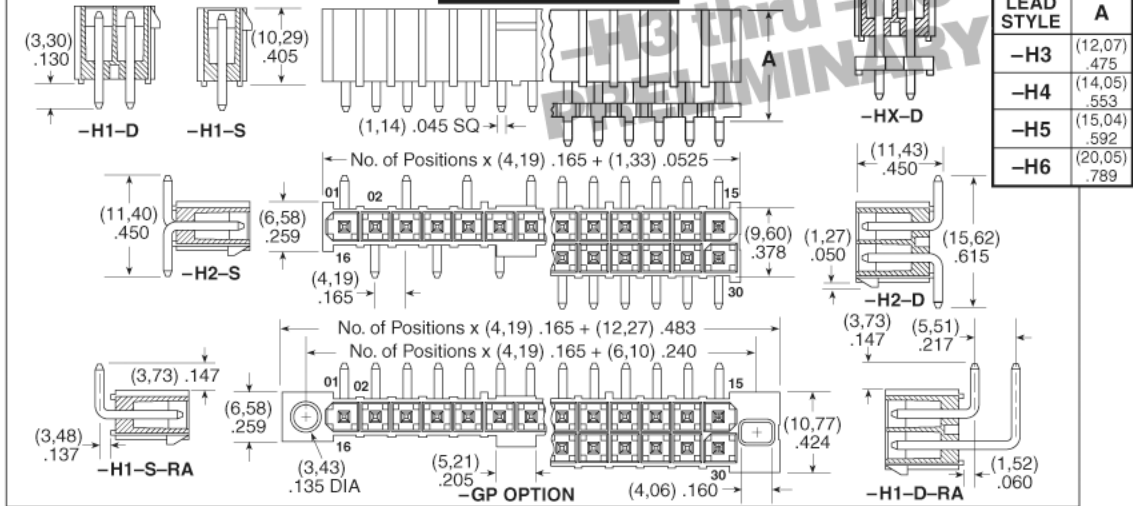
IPBS 2x3 (HP) CLUSTER POWERED
PMSS 6 POSITIONS (SP) IN LINE POWERED

APPLICATION



IPBT/IPBS LEAD STYLE	BOARD SPACE
-H1	(15,25) .600
-H3	(17,00) .670
-H4	(19,00) .748
-H5	(20,00) .789
-H6	(25,00) .984

IPBT	NO. OF POSITIONS PER ROW	LEAD STYLE	PLATING OPTION	ROW OPTION	OPTION
	02, 03, 04, 05, 08, 10, 15 (-D only)	-H1 = Through-Hole	-T = Matte Tin	-S = Single Row	-RA = Right Angle (Lead Style -H1 only)
	02, 03, 04, 05 (-S only) (Call Samtec for other sizes)	-H2 = Surface Mount		-D = Double Row	-GP = Guide Post Holes
		-HX = Elevated Through-Hole (Specify "XX" from chart -D only)			



Note: Sorelenghts, styles and options are non-standard, non-reusable

Due to technical progress, all designs, specifications and components are subject to change without notice.

WWW.SAMTEC.COM