

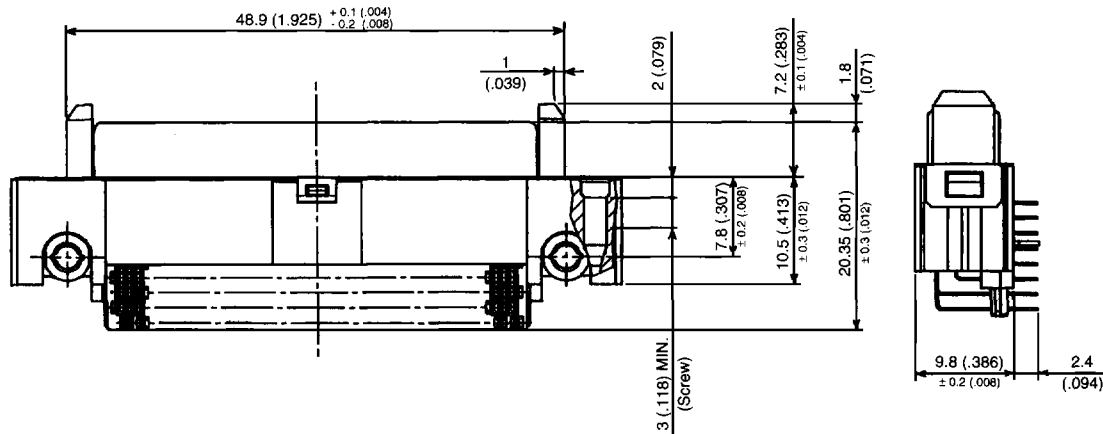
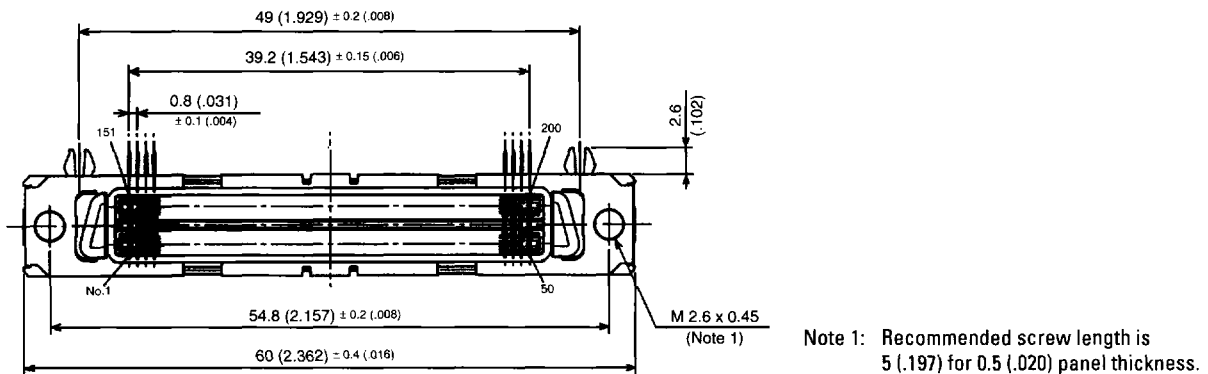
KX20 SERIES CONNECTORS

0.8mm (.031") Contact Spacing, EMI Shielded, PCB-to-PCB Connectors

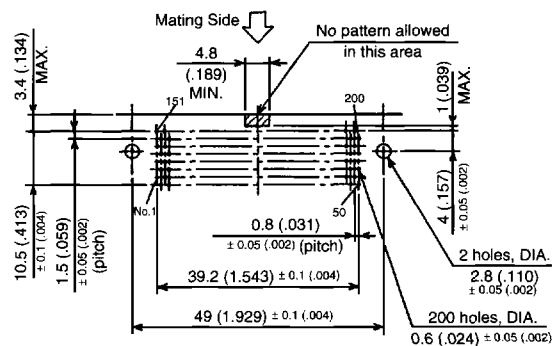
RECEPTACLE • RIGHT ANGLE THROUGH HOLE TYPE • 4 ROWS

Part Number: KX20-200RA-F2LT-A1H

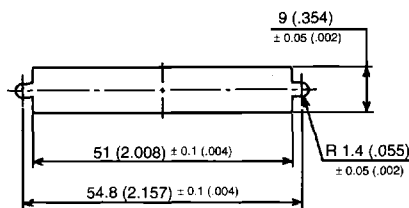
200 CONTACTS



PCB Hole Pattern (Ref.)



Panel Cut-Out (Ref.)



Dimensions in mm (inches).



Hong Kong Tel: 2723-7782 Fax: 2723-9028	Japan 03-3780-2715 03-3780-2883	Korea 2-551-8959 2-551-8958	Philippines 46-433-0276 46-433-0287	Singapore 748-1332 748-2920	Taiwan 02-555-9711 02-556-5424	Europe 1276-21717 1276-66165	United States 949-753-2600 949-753-2699
---	---------------------------------------	-----------------------------------	---	-----------------------------------	--------------------------------------	------------------------------------	---