

SPECIFICATIONS

Mechanical

Contact Retention Force: 0.50Kg min.

Electrical

Voltage Rating: 750V

Current Rating: 1A

Contact Resistance: 45mΩ max.

Dielectrical Withstanding Voltage: 1000V

Insulation Resistance: 1000MΩ min.

Physical

Housing: LCP, UL 94-0 rated, Ivory White

Contact: Phosphor Bronze

Plating: See "ORDERING INFORMATION"

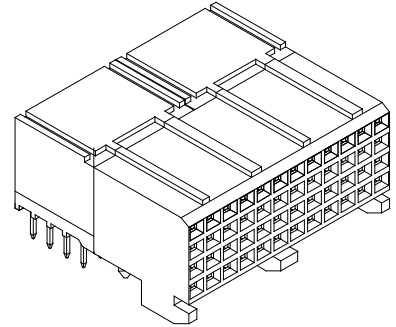
FUTURE BUS CONNECTOR

1F Series

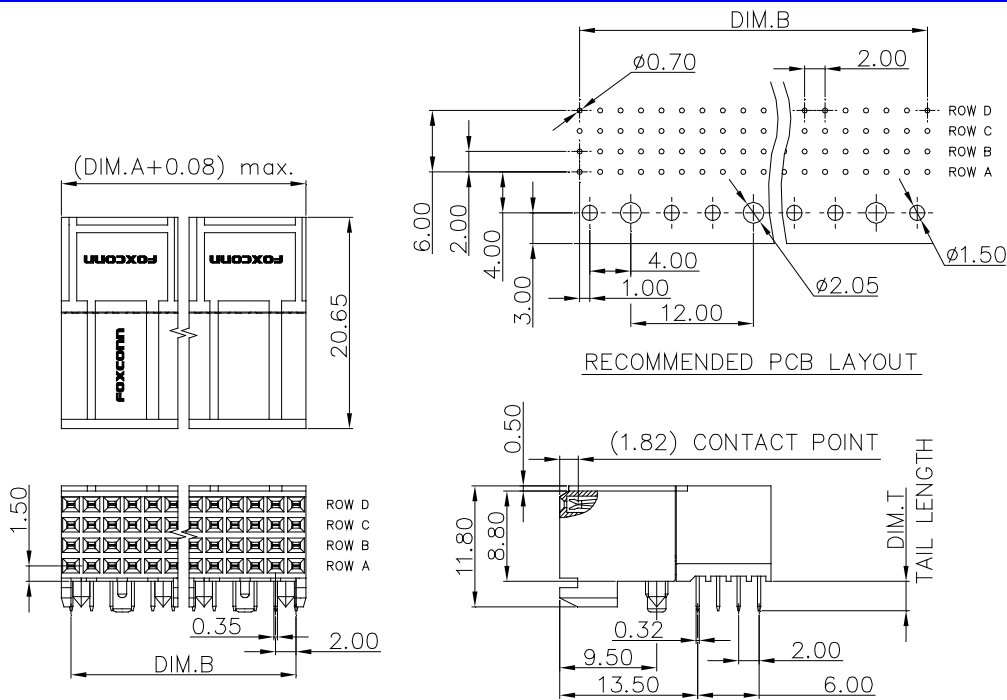
Rec. Solder Type

2.0mm Pitch

4 Rows



DRAWING



ORDERING INFORMATION

PRODUCT NO.: 1 F 1 2 * * * * - S * 0 1 0 * - * *

POS. NO.:

- 024=024 pos.
- 048=048 pos.
- 096=096 pos.
- 192=192 pos.

Mating Area Plating:

- 1=GOLD FLASH
- 3=0.76um(30u")MIN. GOLD PLATING
- 5=1.27um(50u")MIN. GOLD PLATING
- 6=0.25um(10u")MIN. GOLD PLATING
- A=0.76um(30u")MIN. FPT PLATING, 0.25um(10u")MIN. GOLD INCLUDED

Tail Style:

- S=Solder Type

Lead Free Code:

- N=None
- F=Lead Free

Package Type:

- A=Tube

Extension Code:

- N,T,L,M

Body Style

- 10=Standard Type

Tail Length(DIM.T)

- 1=2.90mm
- 2=2.73mm
- 3=3.53mm

1F12024*-S*010*-**	24	11.90	10.00
1F12048*-S*010*-**	48	23.90	22.00
1F12096*-S*010*-**	96	47.90	46.00
1F12192*-S*010*-**	192	95.90	94.00
P/N	POS.	DIM. A	DIM. B