



Input voltage ranges up to 121 V DC
 1 or 2 outputs up to 48 V DC
 Up to 2000 V DC I/O electric strength test



- Short circuit protection
- DIL 24 Case with 8.5 mm profile

Selection chart

Output 1		Output 2		Input voltage	Type	Options
$U_{o\ nom}$ [V DC]	$I_{o\ nom}$ [mA]	$U_{o\ nom}$ [V DC]	$I_{o\ nom}$ [mA]	U_i [V DC]		(for availability consult sales point)
3.3	800	-	-	4.7...16.8	5 IMX 4-03-9	-8, L, Z
3.3	900	-	-	8.4...36	20 IMX 4-03-9	-8, M, L, Z
3.3	900	-	-	16.8...75	40 IMX 4-03-9	-8, M, L, Z
3.3	900	-	-	40...121	70 IMX 4-03-9	-8, L, Z
5	700	-	-	4.7...16.8	5 IMX 4-05-9	-8, L, Z
5	700	-	-	8.4...36	20 IMX 4-05-9	-8, M, K, L, Z
5	700	-	-	16.8...75	40 IMX 4-05-9	-8, M, K, L, Z
5	700	-	-	40...121	70 IMX 4-05-9	-8, L, Z
12	340	-	-	4.7...16.8	5 IMX 4-12-9	-8, L, Z
12	340	-	-	8.4...36	20 IMX 4-12-9	-8, M, K, L, Z
12	340	-	-	16.8...75	40 IMX 4-12-9	-8, M, K, L, Z
12	340	-	-	40...121	70 IMX 4-12-9	-8, L, Z
15	280	-	-	4.7...16.8	5 IMX 4-15-9	-8, L, Z
15	280	-	-	8.4...36	20 IMX 4-15-9	-8, M, K, L, Z
15	280	-	-	16.8...75	40 IMX 4-15-9	-8, M, K, L, Z
15	280	-	-	40...121	70 IMX 4-15-9	-8, L, Z
+5	350	-5	350	8.4...36	20 IMX 4-0505-9	-8, M, K, L, Z
+5	350	-5	350	16.8...75	40 IMX 4-0505-9	-8, M, K, L, Z
+5	350	-5	350	40...121	70 IMX 4-0505-9	-8, L, Z
+12	170	-12	170	8.4...36	20 IMX 4-1212-9	-8, M, K, L, Z
+12	170	-12	170	16.8...75	40 IMX 4-1212-9	-8, M, K, L, Z
+15	140	-15	140	8.4...36	20 IMX 4-1515-9	-8, M, K, L, Z
+15	140	-15	140	16.8...75	40 IMX 4-1515-9	-8, M, K, L, Z
+24	80	-24	80	8.4...36	20 IMX 4-2424-9	-8, M, L, Z
+24	80	-24	80	16.8...75	40 IMX 4-2424-9	-8, M, L, Z

Input

Input voltage	5 IMX, continuous range, 5 V	4.7...16.8 V DC
	20 IMX, continuous range, 20 V	8.4...36 V DC
	40 IMX, continuous range, 40 V	18...75 V DC
	70 IMX, continuous range, 70 V	40...121 V DC

Output

Output voltage setting accuracy	$U_{i\text{ nom}}, 50\% I_{o\text{ nom}}$	$\pm 1\% U_{o\text{ nom}}$
Minimum load	recommended	$10\% I_{o\text{ nom}}$
Line regulation	$U_{i\text{ min}}...U_{i\text{ max}}, 50\% I_{o\text{ nom}}$	$\pm 1\% U_{o\text{ nom}}$
Load regulation	$U_{i\text{ nom}}, 10...100\% I_{o\text{ nom}}, \text{ main output}$	$\pm 3\% U_{o\text{ nom}}$
	tracking output	$\pm 3\% U_{o\text{ nom}}$
Output voltage switching noise	$U_{i\text{ nom}}, 10...100\% I_{o\text{ nom}}, \text{ peak-peak, total}$	max. $2\% U_{o\text{ nom}}$
Efficiency	$U_{i\text{ nom}}, I_{o\text{ nom}}$	up to typ. 83%

Control and protection

Input protection	suppressor diode (except 5 IMX 4)
Overload protection	$U_{i\text{ min}}...U_{i\text{ max}}, \text{ fully protected, hiccup mode}$
No-load protection	yes

Safety and EMC

Electric strength test voltage	I/O (5/20/40/70 IMX 4)	1/1.5/1.5/2 kV DC
Electromagnetic interference	conducted (5/20/40/70 IMX 4)	class B/B/B/A

Environmental

Operating ambient temperature	$U_{i\text{ nom}}, I_{o\text{ nom}}$	$-40...71^\circ\text{C}$
Storage temperature	non operational	$-40...100^\circ\text{C}$
Relative humidity	non condensing	93%
MTBF	Gf 40°C (MIL-HDBK-217F-N2)	$>349'000\text{ h}$

Options

Extended temperature range	$-40...85^\circ\text{C}, \text{ ambient, operating}$	-8
Alternative pinout		K
SMD version	with pins	M
SMD version	with adapter PCB	L
Open frame version		Z

Accessories

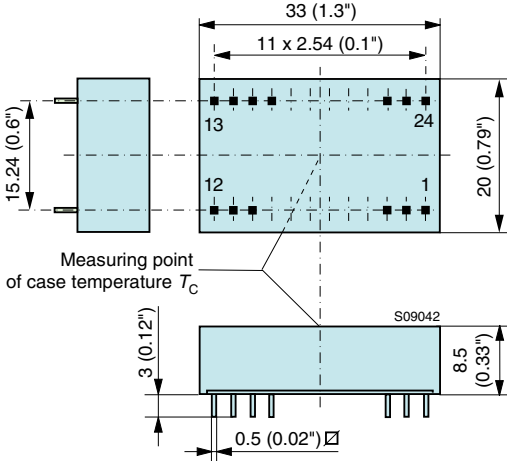
DIN and chassis mounting kit	
------------------------------	--

Mechanical data

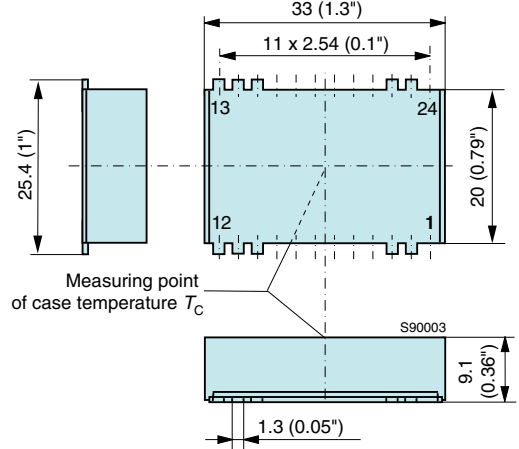
Tolerances ± 0.3 mm (0.012") unless otherwise indicated.



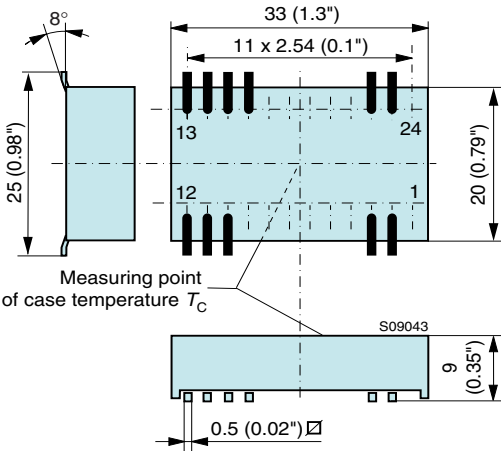
Standard and alternative pinout



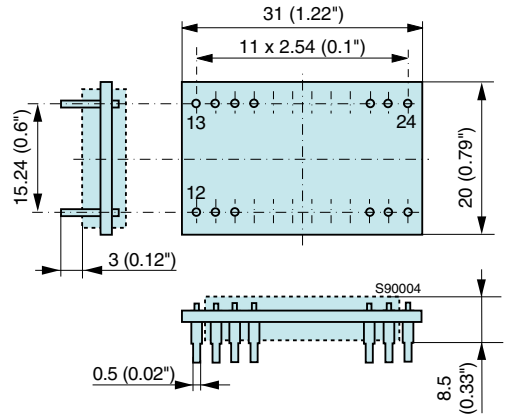
Option L



Option M



Option Z



Standard including option Z

Pin	Single output units	Dual output units
2	Vi-	Vi-
3	Vi-	Vi-
10	n.c.	-
11	-	Vo-
14	Vo+	Vo+
16	Vo-	Go
22	Vi+	Vi+
23	Vi+	Vi+

Option K including option Z

Pin	Single output units	Dual output units
1	Vi+	Vi+
2	n.c.	-
10	-	Go
11	-	Go
12	Vo-	-
13	Vo+	Vo-
15	-	Vo+
24	Vi-	Vi-

SMD pinout (option M and L)

Pin	Single output units	Dual output units
2	Vi-	Vi-
3	Vi-	Vi-
10	n.c.	Go
11	Vo-	Vo-
12	Vo-	Vo-
13	Vo+	Vo-
14	Vo+	Vo+
15	Vo+	Vo+
16	Vo-	Go
22	Vi+	Vi+
23	Vi+	Vi+

Solder lands for option M and L

