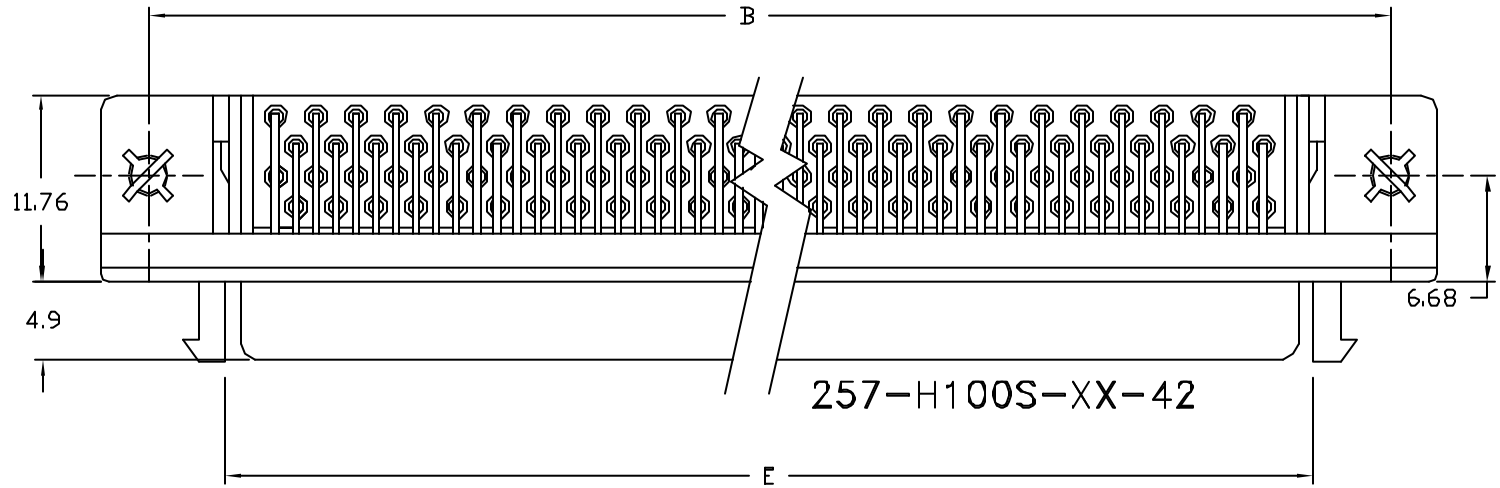
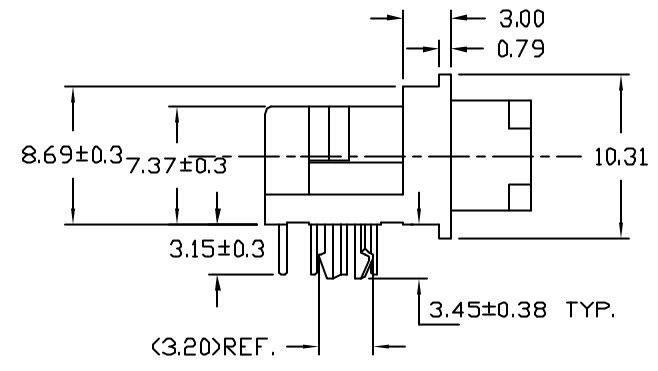
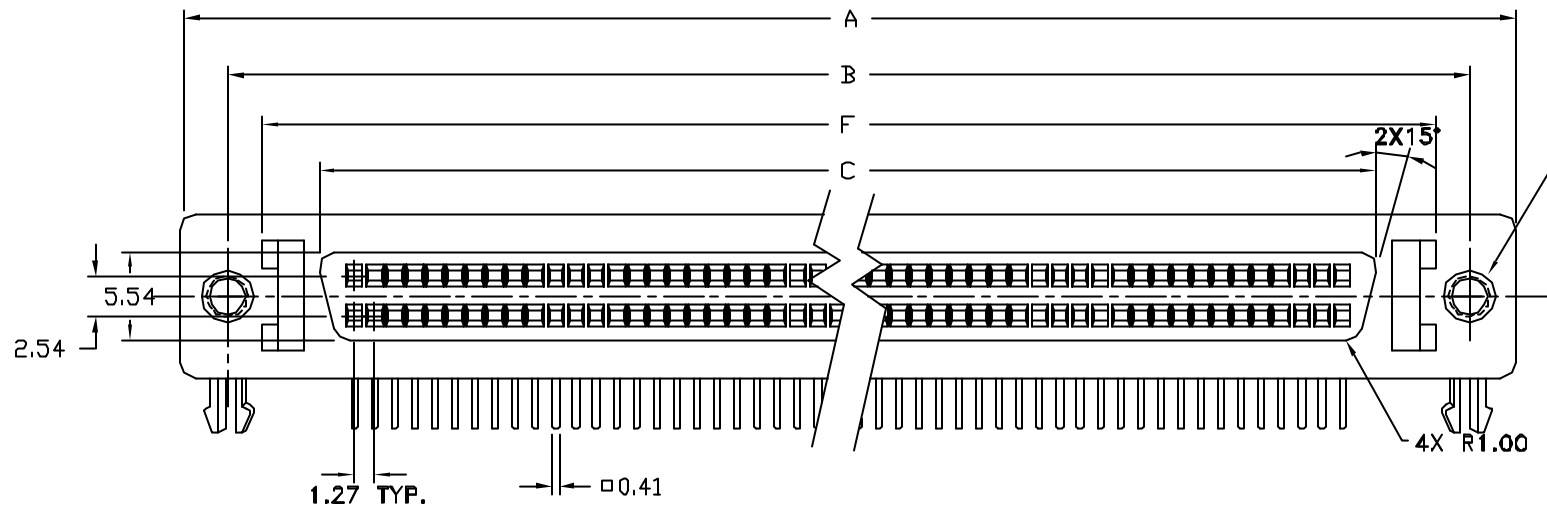
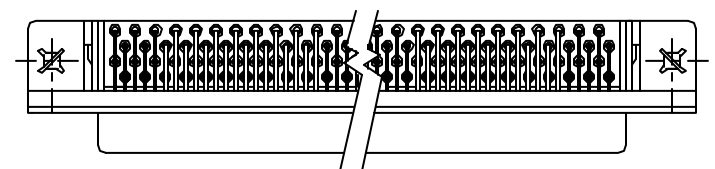
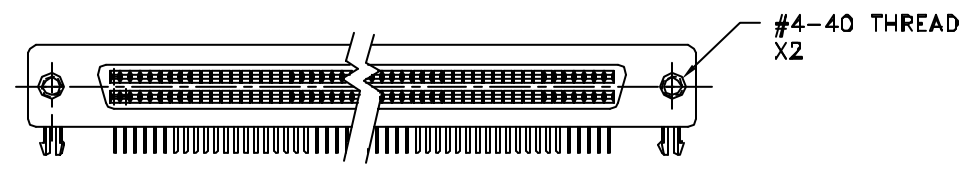


This document is the property of Amphenol Corporation and is delivered on the express condition that it is not to be disclosed, reproduced or used, in whole or in part, for manufacture or sale by anyone other than Amphenol Corporation without its prior consent, & that no right is granted to disclose or to use any information in this document.

REVISIONS				
SYM	ECN	DESCRIPTION	DATE	APPROVED
A	HK2412	Released to Production	12/09/02	Y.M. Lee
B	HK3381	update plated spec.	5/20/05	Michael.IP
C	HK	Update Drawing for ROHS	08/30/05	Michael.IP



CUSTOMER INFORMATION DRAWING



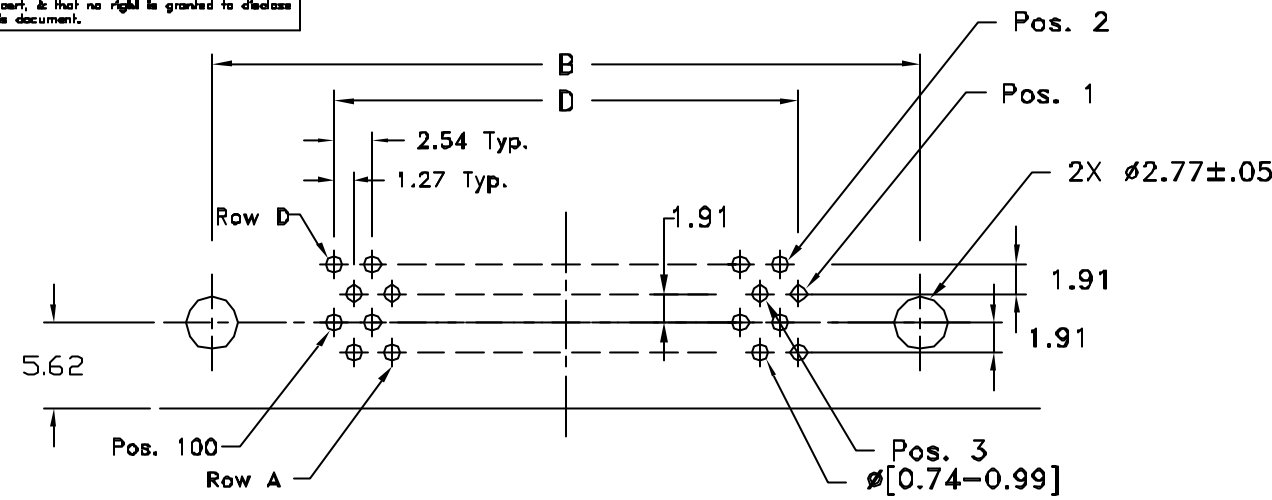
257-H100S-XX-92  
SCALE: 1:2

Part Number	No.of Contacts	A	B	C	D	E	F	Layout Style
257-H050S-XX-XX	50	52.45	46.48	34.70	30.48	37.29	42.29	1
257-H068S-XX-XX	68	63.88	57.91	46.13	41.91	48.72	53.72	2
257-H100S-XX-XX	100	84.20	78.23	66.45	62.23	69.04	74.04	2

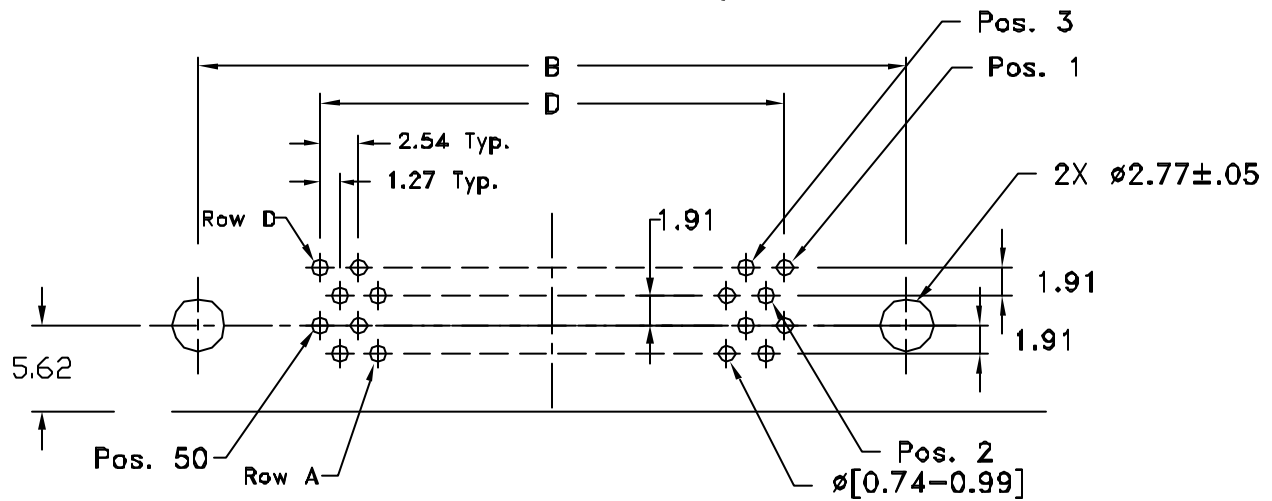
UNLESS OTHERWISE SPECIFIED <b>TOLERANCES</b> U.S.    METRIC .X    +/-    0.20 .XX   +/-    0.10 .XXX +/-    0.10 FRACTIONS +/- ANGLES +/-    3°	APPROVAL DRAWN    XS.Guo CHECKED    Michael.IP CHECKED	DATE 08/30/05 08/30/05	<b>Amphenol</b>  TITLE    257 SCSI-2 RIGHT ANGLE, SHIELD RECEPTACLE CONNECTOR WITH LOCATION PLATE
	DRAWING FILE : \DRAWING\257\CH2571-00X3000L.DWG		
	ANGLE OF PROJECTION 		
	DIMENSIONS [U.S.]    [INCHES] METRIC    MM		
REMOVE SHARP EDGES		SIZE    DRAWING NO.    REV. A3    C257-HXXXS-XX-XX    C	
SCALE    NONE		SHEET 1 OF 2	

This document is the property of Amphenol Corporation and is delivered on the express condition that it is not to be disclosed, reproduced or used, in whole or in part, for manufacture or sale by anyone other than Amphenol Corporation without its prior consent, & that no right is granted to disclose or to use any information in this document.

REVISIONS				
SYM	ECN	DESCRIPTION	DATE	APPROVED
A	HK2412	SEE SHEET 1		Y.M.LEE
B	HK3381	SEE SHEET 1	5/20/05	Michael.IF
		SEE SHEET 1		



Recommended PCB Layout 2



Recommended PCB Layout 1

P/N System

257-HXXXS-XX-XX

- |   |  |
|---|--|
| Contact Type  | Board Mounting Option (R/A bracket)    |
| H- High temperature material's body for board mount R/A 3.15mm tail | 2 - Boardlock<br>3 - Clear hole        |
| No. of ways   | Panel Mount Option                     |
| 050 - 50 ways   | 9 - #4-40 thr'd hole, w/o latch & rail |
| 068 - 68 ways   | 6 - #2-56 thr'd hole, w/o latch & rail |
| 100 - 100 ways  | 5 - #4-40 thr'd hole + latch block     |
| S - Socket (Female)   | 4 - #2-56 thr'd hole + latch block     |
| P - Pin (Male)  | Plating Option                         |

- AA - Gold flash on mating area
- ⓐ 2.54-5.08µm Pure Tin plated on termination area  
1.27-2.54µm Nickel underplated
- AF - 0.38µm Gold plated on mating area
- ⓐ 2.54-5.08µm Pure Tin plated on termination area  
1.27-2.54µm Nickel underplated
- AM - 0.76µm Gold plated on mating area
- ⓐ 2.54-5.08µm Pure Tin plated on termination area  
1.27-2.54µm Nickel underplated

Note:

1. All dimensions are in mm.

2. Materials

- Contact : Phosphor Bronze,
- AA - Gold flash on mating area
  - ⓐ 2.54-5.08µm Pure Tin plated on termination area  
1.27-2.54µm Nickel underplated
  - AF - 0.38µm Gold plated on mating area
  - ⓐ 2.54-5.08µm Pure Tin plated on termination area  
1.27-2.54µm Nickel underplated
  - AM - 0.76µm Gold plated on mating area
  - ⓐ 2.54-5.08µm Pure Tin plated on termination area  
1.27-2.54µm Nickel underplated
- Shell : Cold Roll Steel,
- ⓑ Nickel Plated 4.0um min.underplated Cu 4.0um min.
- Insulator : Glass filled Arlen 6T, color black, UL94V-0 rated.
- Die Casting bracket : Zinc alloy  
1.27-3.81µm Nickel plated with copper underplated.

3. Mechanical Characteristics

- Durability : 500 cycles min. for 0.76µm gold  
250 cycles min. for 0.38µm  
50 cycles min. for gold flash
- Contact Retention Force with insulator : 4.4 N min. per contact
- Mating force : 1.22 N Max/contact
- Unmating force : 0.20 N Max/contact
- The housing flatness : should be within 0.003 mm/mm
- No. of insertion into PCB : once

4. Electrical Characteristics

- Contact Rating : 1 A Max.
- Contact Resistance : 25 mΩ Max.
- Insulation Resistance : 1000 MΩ Min.at 500 VDC
- Operation Temperature : -55°C to 105°C
- Dielectric Strength : 500 VAC

5. Suitable for PCB with a nominal thickness of 1.56 mm



CUSTOMER INFORMATION DRAWING

UNLESS OTHERWISE SPECIFIED TOLERANCES U.S. METRIC .X +/- / 0.20 .XX +/- / 0.10 .XXX +/- / FRACTIONS +/- / ANGLES +/- / 1'	APPROVAL	DATE	Amphenol
	DRAWN XS.QUD	08/30/05	
FOR MATERIALS AND FINISHES SEE NOTES	CHECKED Michael.IF	08/30/05	TITLE 257 SCSI-2 RIGHT ANGLE, SHIELD RECEPTACLE CONNECTOR WITH LOCATION PLATE
REMOVE SHARP EDGES	CHECKED		
DIMENSIONS	ANGLE OF PROJECTION		SIZE DRAWING NO.
U.S. INCHES (METRIC) (MM)			A3 C257-HXXXS-XX-XX
			SCALE NONE SHEET 2 OF 2
			REV. C