

SPECIFICATIONS

INSULATOR

Material: Polycarbonate

MATING COMPONENT TAIL REQUIREMENTS:

Width: 0.381 - 0.584 mm

Thickness: 0.204 - 0.40 mm

Insertion depth: 4.5 mm max.

Termination: Solderless "C-Press" press-fit

TECHNICAL DATA

Contact: Cube

Contact Plating: Tin/Lead

Temperature Range: -40° to +140°C

Contact Resistance:  $\leq 20$  mOhm

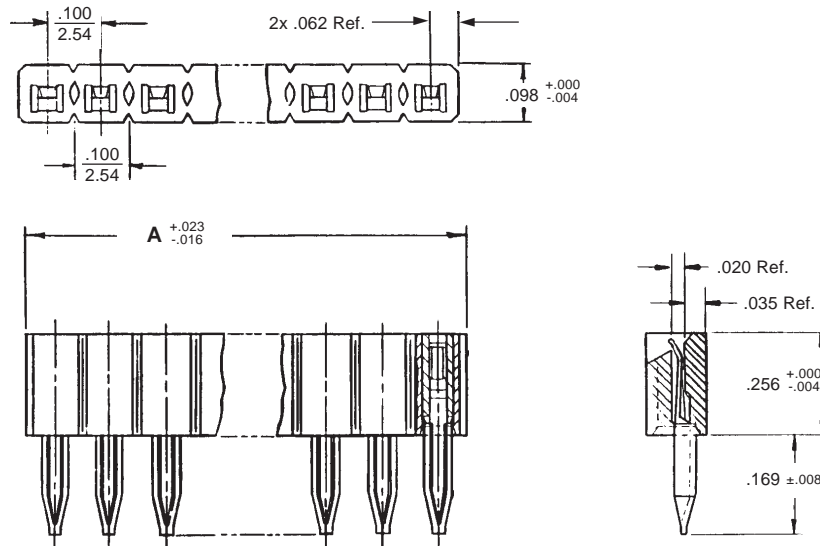
Insulation Resistance:  $\geq 10^{12}$  Ohm

Airgap and Creepage Distance: 0.8 mm

Rated Current: 0.5A

OUTLINE

Catalog Number  
48S-3009-0154 Shown



DIMENSIONS

Catalog Number	A	Catalog Number	A	Catalog Number	A	Catalog Number	A
48S-3009-0154	4.824	36S-3009-0154	3.624	24S-3009-0154	2.424		
47S-3009-0154	4.724	35S-3009-0154	3.524	23S-3009-0154	2.324	12S-3009-0154	1.224
46S-3009-0154	4.624	34S-3009-0154	3.424	22S-3009-0154	2.224	11S-3009-0154	1.124
45S-3009-0154	4.524	33S-3009-0154	3.324	21S-3009-0154	2.124	10S-3009-0154	1.024
44S-3009-0154	4.424	32S-3009-0154	3.224	20S-3009-0154	2.024	09S-3009-0154	0.924
43S-3009-0154	4.324	31S-3009-0154	3.124	19S-3009-0154	1.924	08S-3009-0154	0.824
42S-3009-0154	4.224	30S-3009-0154	3.024	18S-3009-0154	1.824	07S-3009-0154	0.724
41S-3009-0154	4.124	29S-3009-0154	2.924	17S-3009-0154	1.724	06S-3009-0154	0.624
40S-3009-0154	4.024	28S-3009-0154	2.824	16S-3009-0154	1.624	05S-3009-0154	0.524
39S-3009-0154	3.924	27S-3009-0154	2.724	15S-3009-0154	1.524	04S-3009-0154	0.424
38S-3009-0154	3.824	26S-3009-0154	2.624	14S-3009-0154	1.424		
37S-3009-0154	3.724	25S-3009-0154	2.524	13S-3009-0154	1.324		

ORDERING INFORMATION

48 S30090154

■ Step 1  
Number of Contacts Required:  
(See above)