

"XX" CIRCUITS EQUALLY SPACED @ 5.00 (.197)

\varnothing .005 -A- -B-

- NOTES:
1. MATERIAL: SEE TABLE
 2. FINISHES: SEE TABLE
 3. PRODUCT SPECIFICATION: NOT REQUIRED
 4. PACKAGING: NOT REQUIRED
 5. MATES WITH: BEAU 5.00 mm (.197) EUROSTYLE HEADER (SERIES 87) PLUG.
 6. SEE PAGE 2 OF 2 FOR IMPRINTING OPTIONS AND LENGTH TABLE.

2	XX	HEADER PIN	BRASS	TIN PLATED
1	1	INSULATOR	NYLON	BLACK
ITEM	QTY.	DESCRIPTION	MATERIAL	FINISH

EC NO. 11452
 DRAWN: RK 10-2-03
 CHK: []
 APPR: []

QUALITY SYMBOLS
 MAJOR =
 CRITICAL =
 SPC =

GENERAL TOLERANCES: (UNLESS SPECIFIED)		SCALE 5:1	DESIGN UNITS <input type="checkbox"/> mm <input checked="" type="checkbox"/> INCH
4 PLACES	±.0015	DRAWN BY & DATE C. YORK 7-03-03	
3 PLACES	±.038 ±.005	CHECKED BY & DATE R. KEMP 7-03-03	
2 PLACES	±.13 ±.01	APPROVED BY & DATE P. WALTZ 7-03-03	
1 PLACE	±.3	CAD FILENAME 8715XX01	
ANGULAR: ±2°		MATERIAL NO. SEE SHEET 2	
DRAFT WHERE APPLICABLE MUST REMAIN WITHIN DIMENSIONS		DRAWING NO. SD-39870-001	

THIRD ANGLE PROJECTION

TITLE:
HEADER ST. ASSY. (.197 CENTERS)

MOLEX INCORPORATED

THIS DRAWING CONTAINS INFORMATION THAT IS PROPRIETARY TO MOLEX INCORPORATED AND SHOULD NOT BE USED WITHOUT WRITTEN PERMISSION.

PROJECT NO. -	1	A
DIMENSIONS:	SHT	REV
<input checked="" type="checkbox"/> mm <input type="checkbox"/> INCH	REVISE ON CAD ONLY	
SHEET NO. 1 OF 2		

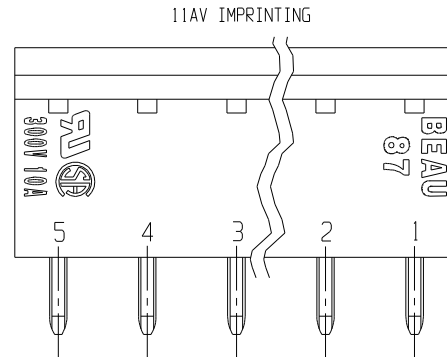
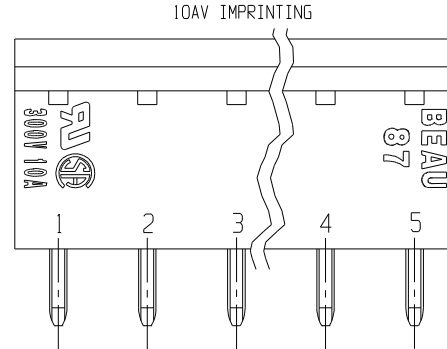
13 12 11 10 9 8 7 6 5 4 3 2

J
I
H
G
F
E
D
C
B
A

J
I
H
G
F
E
D
C
B
A

13 12 11 10 9 8 7 6 5 4 3 2 1

ASSEMBLY MATERIAL NUMBER	10AV OPTION MATERIAL NO.	11AV OPTION MATERIAL NO.	# OF CIRC. "XX"	DIM. "A"	DIM. "B"
398700402			02	9.9 (.39)	5.0 (.20)
398700403			03	14.9 (.59)	10.0 (.39)
398700404			04	19.9 (.78)	15.0 (.59)
398700405			05	24.9 (.98)	20.0 (.79)
398700406			06	29.9 (1.18)	25.0 (.99)
398700407			07	34.9 (1.37)	30.0 (1.18)
398700408			08	39.9 (1.57)	35.0 (1.38)
398700409			09	44.9 (1.77)	40.0 (1.58)
398700410			10	49.9 (1.97)	45.0 (1.77)
398700411			11	54.9 (2.16)	50.0 (1.97)
398700412			12	59.9 (2.36)	55.0 (2.17)
398700413			13	64.9 (2.56)	60.0 (2.36)
398700414		398730414	14	69.9 (2.75)	65.0 (2.56)
398700415			15	74.9 (2.95)	70.0 (2.76)
398700416			16	79.9 (3.15)	75.0 (2.96)
398700417			17	84.9 (3.34)	80.0 (3.15)
398700418			18	89.9 (3.54)	85.0 (3.35)
398700419			19	94.9 (3.74)	90.0 (3.55)
398700420			20	99.9 (3.94)	95.0 (3.74)
398700422			21	104.9 (4.13)	100.0 (3.94)
398700423			22	109.9 (4.33)	105.0 (4.14)
398700424			23	114.9 (4.53)	110.0 (4.33)
398700425			24	119.9 (4.72)	115.0 (4.53)



EC NO. 1 DRWN: CH K: APPR:	DESCRIPTION 1 SEE SHEET 1	QUALITY SYMBOLS MAJOR = CRITICAL = SPC =	GENERAL TOLERANCES: (UNLESS SPECIFIED)		SCALE 5:1	DESIGN UNITS <input type="checkbox"/> mm <input checked="" type="checkbox"/> INCH	THIRD ANGLE PROJECTION <input checked="" type="checkbox"/> mm <input type="checkbox"/> INCH <input type="checkbox"/> mm ONLY	PROJECT NO. - DIMENSIONS:	2 SHT A REV	
		4 PLACES ±.0015 3 PLACES ±.038 ±.005 2 PLACES ±.13 ±.01 1 PLACE ±.3		ANGLAR: ±2°		DRAWN BY & DATE C. YORK 7-03-03		TITLE: HEADER ST, ASSY. (.197 CENTERS)		
		DRAFT WHERE APPLICABLE MUST REMAIN WITHIN DIMENSIONS		CAD FILENAME 8715XX01		MATERIAL NO. SEE CHART		DRAWING NO. SD-39870-001		SHEET NO. 2 OF 2
						THIS DRAWING CONTAINS INFORMATION THAT IS PROPRIETARY TO MOLEX INCORPORATED AND SHOULD NOT BE USED WITHOUT WRITTEN PERMISSION.		MOLEX INCORPORATED		SIZE C