

Fig. 1

- Series 41X double row strip sockets are on .100" grid.
- Various solder pins available (standard, long for multi-layer boards, very low and ultra low). Using Mill-Max pin #'s 1001, 0134, 0501 & 0703.
- Hi-Rel, 4-finger BeCu #30 & #12 clips are rated at 3 amps. See pages 207 & 208 for details.



Ordering Information

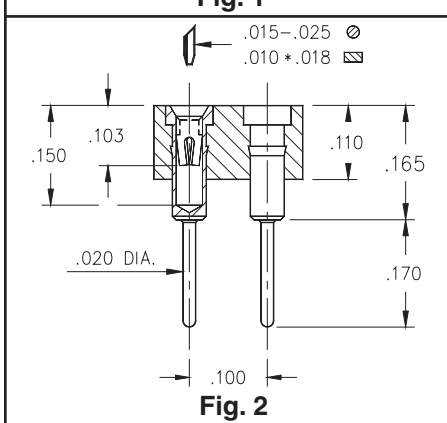


Fig. 2

Fig. 1

Series 410...001 Standard Solder Tail

410-XX-2__-41-001
 Specify # of pins → 02-64

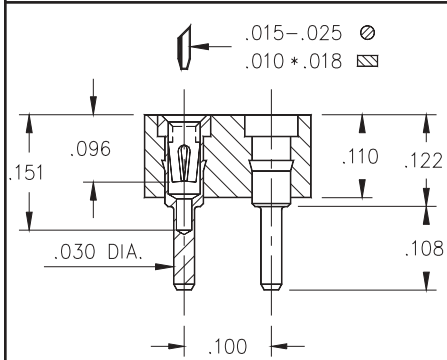


Fig. 3

Fig. 2

Series 411...001 Long Solder Tail

411-XX-2__-41-001
 Specify # of pins → 02-64

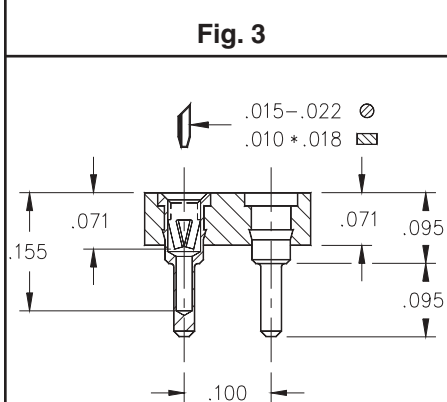


Fig. 4

Fig. 3

Series 415...001 Very Low Profile

415-XX-2__-41-001
 Specify # of pins → 02-64

Series 415...003 Ultra Low Profile

415-XX-2__-41-003
 Specify # of pins → 02-72

XX= Plating Code See Below

For High Temperature Insulators Add '100' To End Of Part Numbers

SPECIFY PLATING CODE XX=	13	93	
Sleeve (Pin)	10μ" Au	200μ" Sn/Pb	
Contact (Clip)	30μ" Au	30μ" Au	