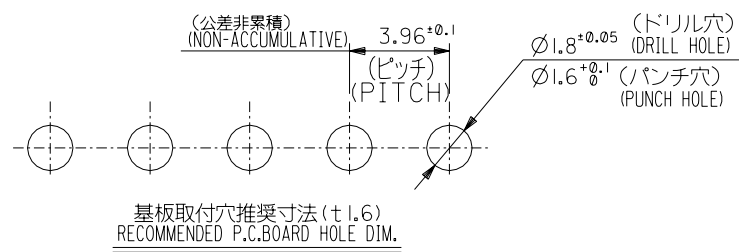
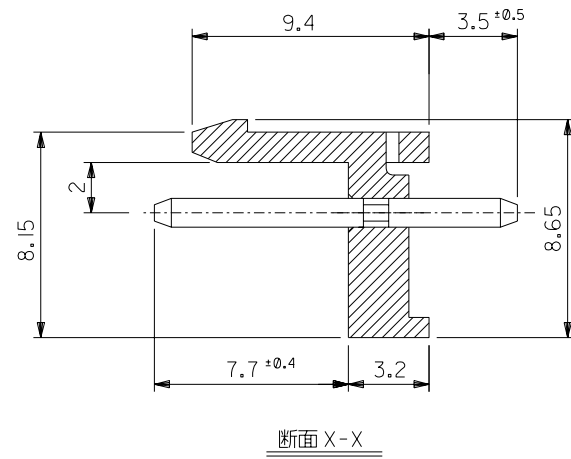
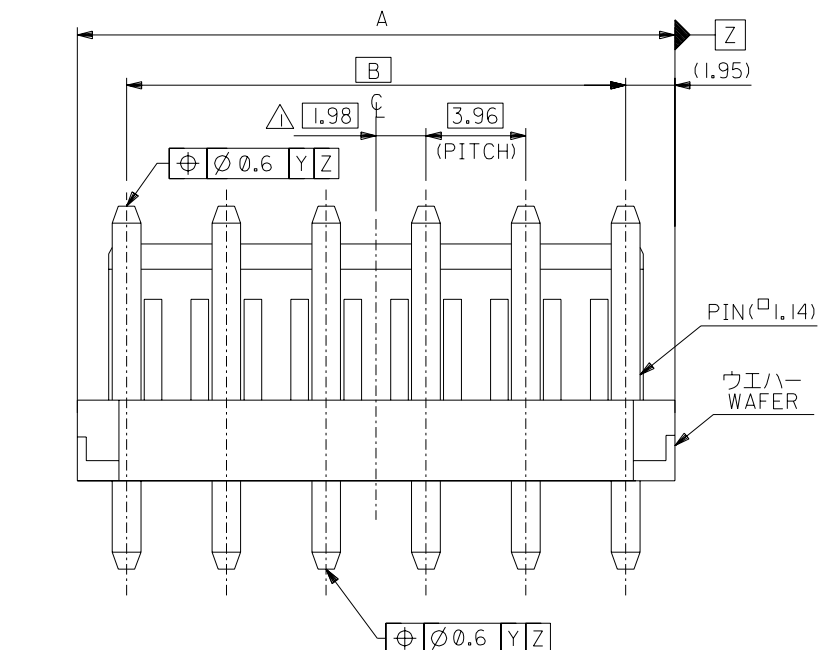
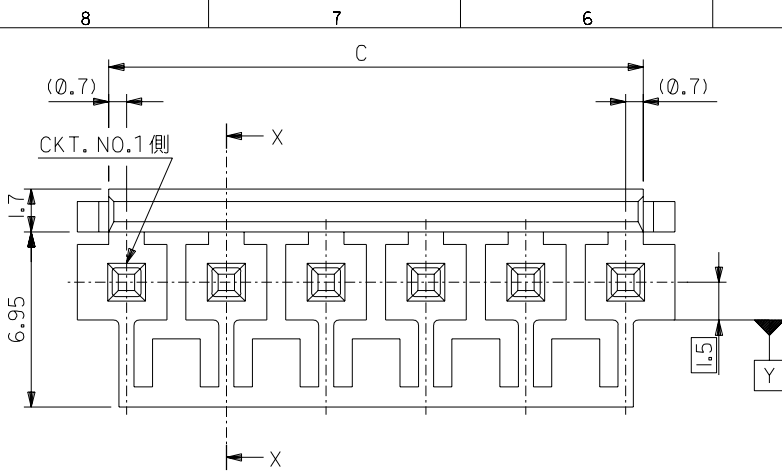


DO NOT SCALE DRAWING



注記
NOTES

- △ 偶数極品に適用。
APPLIES ONLY TO EVEN NO. CKT. SIZES.
- 2. 嵌合相手 : 51144 シリーズ
MATES WITH : 51144 SERIES.
- 3. 製品型番の下一桁は色を表します。
LAST DIGIT OF PART NUMBER INDICATES COLOR.
0: 白 WHITE 1: 黒 BLACK 2: 赤 RED 3: 黄 YELLOW 4: 青 BLUE
6: 緑 GREEN

55.44	59.34	53520-152*	15
51.48	55.38	-142*	14
47.52	51.42	-132*	13
43.56	47.46	-122*	12
39.6	43.5	-112*	11
35.64	39.54	-102*	10
31.68	35.58	-092*	9
27.72	31.62	-082*	8
23.76	27.66	-072*	7
19.8	23.7	-062*	6
15.84	19.74	-052*	5
11.88	15.78	-042*	4
7.92	11.82	-032*	3
3.96	7.86	53520-022*	2
B	A	MATERIAL NO.	極数 NO. OF CKTS.

EC NO. DRWN: CHK: APPR:		EC NO. DRWN: CHK: APPR:		EC NO. DRWN: CHK: APPR:		EC NO. DRWN: CHK: APPR:		EC NO. DRWN: CHK: APPR:		MODEL NO. 53520-***2* DIMENSIONS: SHT REV THIRD ANGLE PROJECTION <input type="checkbox"/> mm <input type="checkbox"/> INCH <input checked="" type="checkbox"/> mm ONLY REVISION ON CAD ONLY	
RELEASED 04/04/16 EC NO. J2004-3861 DRWN: A.IDA CHK: H.TAKASE APPR: J.MIYAZAWA		MATERIAL 材料 ウエハー : 66NYLON UL94V-0 WAFER ピン : リン青銅、銅下地鍍メッキ PIN : PHOS.BRO., TIN OVER COPPER PLATING.		GENERAL TOLERANCES: (UNLESS SPECIFIED) 一般公差		SCALE 5:1 DESIGN UNITS <input checked="" type="checkbox"/> mm <input type="checkbox"/> INCH		DRAWN BY & DATE A. Ida 04/04/16		TITLE: 3.96 WAFER ASSY WITH LOCK -LEAD FREE-	
WIRE RANGE 適用電線範囲		FINISH 仕上げ		10 UNDER 未満 ±0.2 10 OVER 30 UNDER 未満 ±0.25 30 OVER 以上 ±0.3		CHECKED BY & DATE H. Takase 04/04/16		APPROVED BY & DATE J. Miyazawa 04/04/16		CAD FILENAME SD-53520-001.S01 MATERIAL NO. 53520-***2* DRAWING NO. SD-53520-001 SHEET NO. 1/1	
INS. RANGE 被覆外径		WIRE RANGE 適用電線範囲		ANGLE 角度 ±3°		THIS DRAWING CONTAINS INFORMATION THAT IS PROPRIETARY TO MOLEX INCORPORATED AND SHOULD NOT BE USED WITHOUT WRITTEN PERMISSION.		MOLEX MOLEX INCORPORATED		SIZE B	