

MATERIAL AND FINISHES:

BASE: LCP

CONTACT: BRASS

C2680 (t=0.15)

PLATED: GOLD (0.03 MICROMETER MINIMUM) OVER NICKEL (1~4 MICROMETER)

OUTER CONTACT: PHOSPHOR BRONZE (JIS 5191-SH) C5210 (t=0.12)

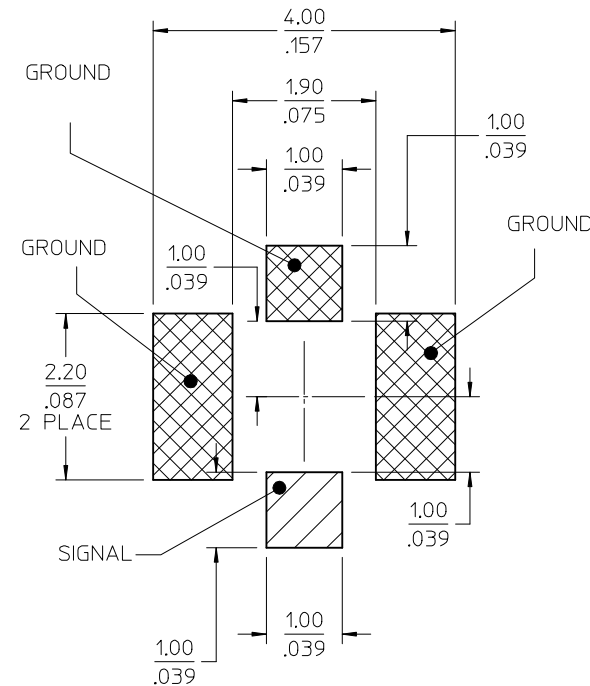
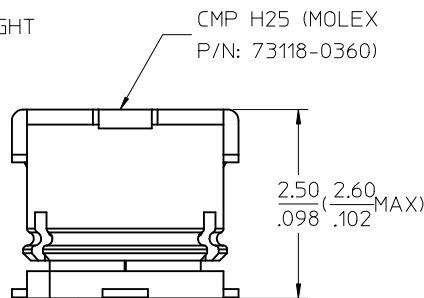
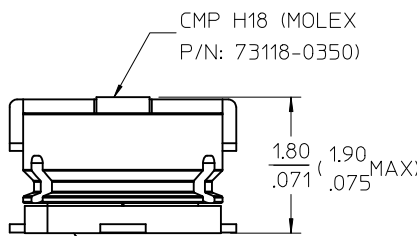
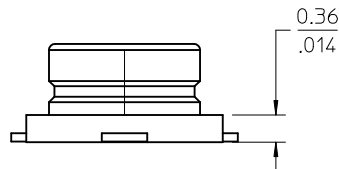
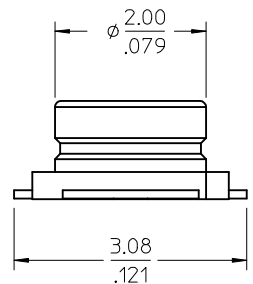
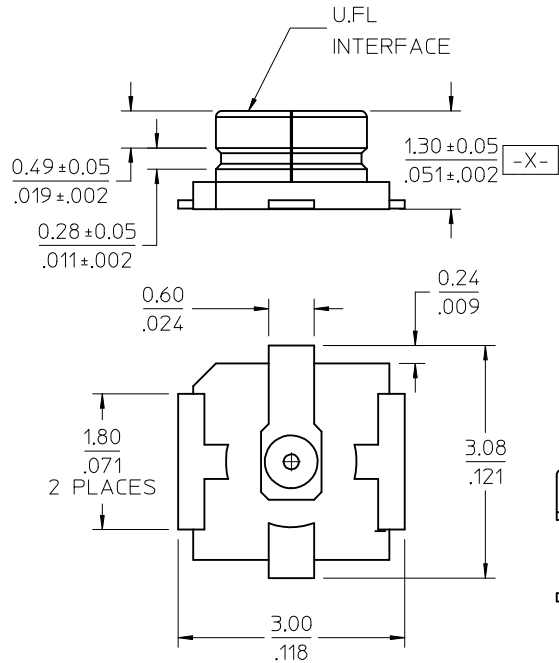
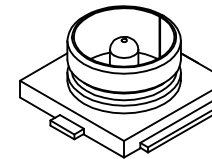
PLATED: GOLD (0.03 MICROMETER MINIMUM) OVER NICKEL (1~4 MICROMETER)

WILL WITHSTAND REFLOW TEMPERATURE OF 265 DEG C ±5 DEG

VSWR

DC-3GHz: 1.18 MAX

DC-6GHz: 1.30 MAX



PS-73598-0210	PROD SPEC
SPECIFICATION	DESCRIPTION

(NOT INCLUDED WITH 73118-0350 ASSEMBLY)

(NOT INCLUDED WITH 73118-0360 ASSEMBLY)

73412-0114	TAPE AND REEL (1K/REEL)
73412-0112	73412-0110, 10 PIECES PER BAG IN TAPE
73412-0110	TAPE AND REEL (5K/REEL)
PART NO.	PACKAGING

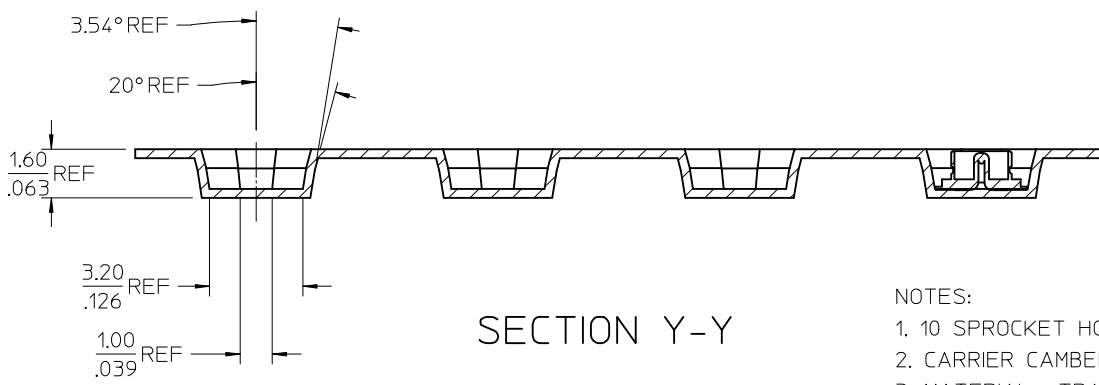
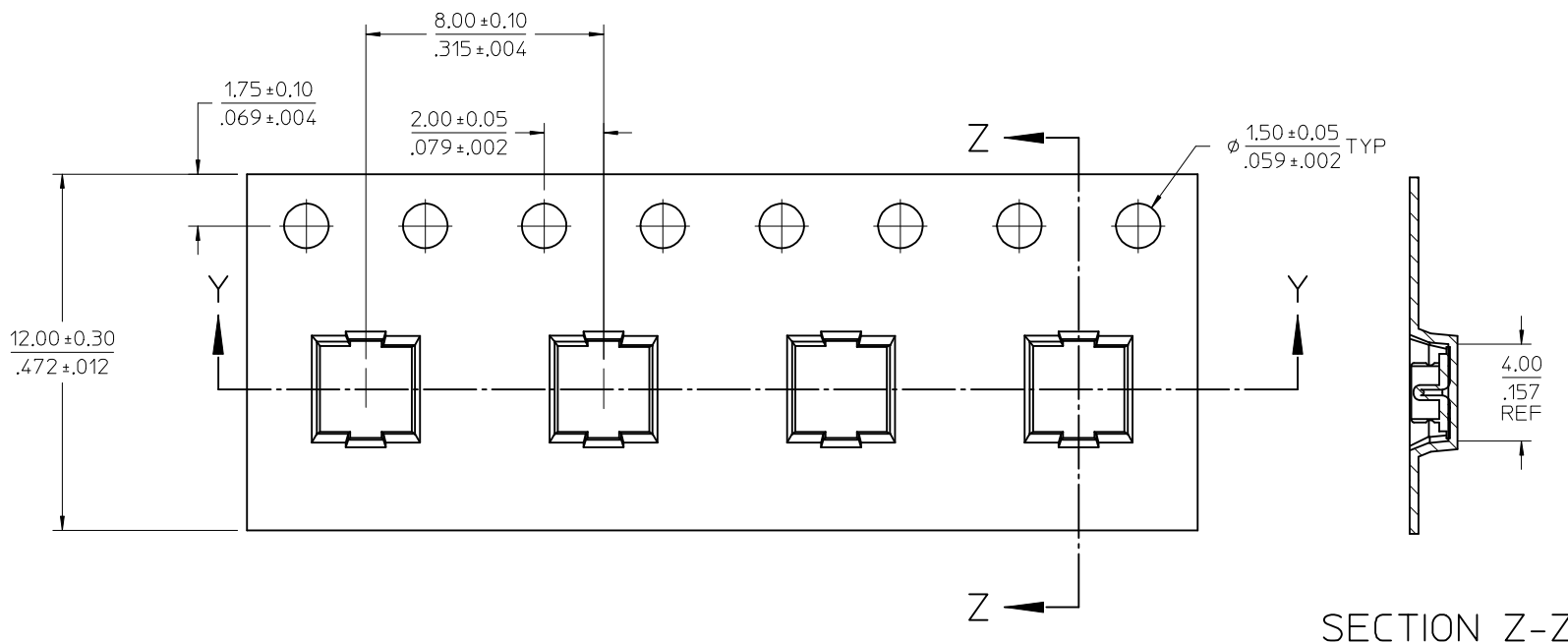
A	B	C	D	E	F	G	H	I	J	1	2	3	4	5	6	7	8	9	10	11	12	tb_frame_C_P_AM T
																						Rev. E 2006/04/15

CHG:	REMOVE OPTIONAL NOTE FROM NOTCH AND PCB LAYOUT	EC NO: URF2014-0056	QUALITY SYMBOLS
		DRWN: JWIENER 2013/07/24	
CHKD: SSS 2013/07/24		APPR: JWIENER 2013/07/29	DESCRIPTION
REV			

GENERAL TOLERANCES (UNLESS SPECIFIED)	
mm	INCH
4 PLACES ± .005	± .0002
3 PLACES ± .005	± .0002
2 PLACES ± 0.25	± .010
1 PLACE ± 0.13	± .005
ANGULAR ± 2 °	
DRAFT WHERE APPLICABLE MUST REMAIN WITHIN DIMENSIONS	

DIMENSION STYLE	
MM/IN	
DRAWN BY	DATE
DARRY	2003/1/27
CHECKED BY	DATE
JOHNSON	2003/1/27
APPROVED BY	DATE
MHUANG	2010/11/28
MATERIAL NO.	DOCUMENT NO.
SEE TABLE	SD-73412-011

SCALE	DESIGN UNITS	THIRD ANGLE PROJECTION
	METRIC	
TITLE		
MICRO COAXIAL CONNECTOR RECEPTACLE VERTICAL EWR-4537		
MOLEX INCORPORATED		
SHEET NO.		1 OF 2
THIS DRAWING CONTAINS INFORMATION THAT IS PROPRIETARY TO MOLEX INCORPORATED AND SHOULD NOT BE USED WITHOUT WRITTEN PERMISSION		



SECTION Z-Z

SECTION Y-Y

- NOTES:
- 10 SPROCKET HOLE PITCH CUMULATIVE TOLERANCE $\pm 0.20\text{mm}$
 - CARRIER CAMBER IS WITH 1mm IN 250mm
 - MATERIAL : TRANSPARENT POLYSTYRENE
 - ALL DIMENSIONS MEET EIA-481-1 REQUIREMENT
 - COMPONENT LOAD PER 13" REEL (5,000 PCS),
COMPONENT LOAD PER 7" REEL (1,000 PCS),

CHG: SEE SHEET 1 EC NO: URF2014-0056 DRWN: JWIENER 2013/07/24 CHKD: SSS 2013/07/24 APPR: JWIENER 2013/07/29	QUALITY SYMBOLS $\nabla=0$ $\nabla=0$	GENERAL TOLERANCES (UNLESS SPECIFIED)		DIMENSION STYLE MM/IN	SCALE METRIC	DESIGN UNITS METRIC	THIRD ANGLE PROJECTION		
		4 PLACES \pm --- \pm --- 3 PLACES \pm --- \pm --- 2 PLACES ± 0.25 \pm --- 1 PLACE ± 0.13 \pm ---	mm INCH	DRAWN BY DARRY	DATE 2003/1/27			TITLE MICRO COAXIAL CONNECTOR RECEPTACLE VERTICAL EWR-4537	
		ANGULAR $\pm 2^\circ$		CHECKED BY JOHNSON	DATE 2003/1/27	APPROVED BY MHUANG	DATE 2010/11/28	MATERIAL NO. SEE SHEET 1	DOCUMENT NO. SD-73412-011
		DRAFT WHERE APPLICABLE MUST REMAIN WITHIN DIMENSIONS		SIZE C		THIS DRAWING CONTAINS INFORMATION THAT IS PROPRIETARY TO MOLEX INCORPORATED AND SHOULD NOT BE USED WITHOUT WRITTEN PERMISSION			SHEET NO. 2 OF 2