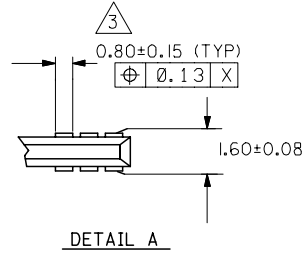
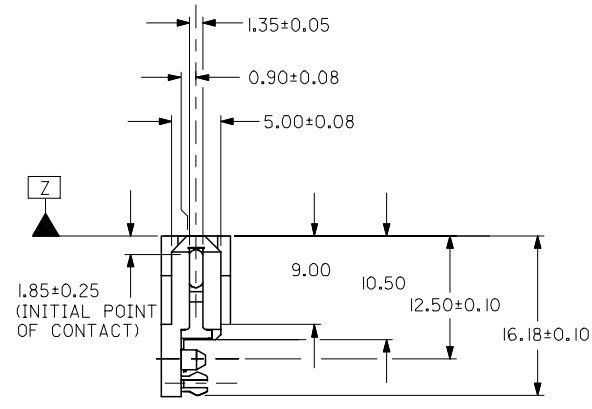
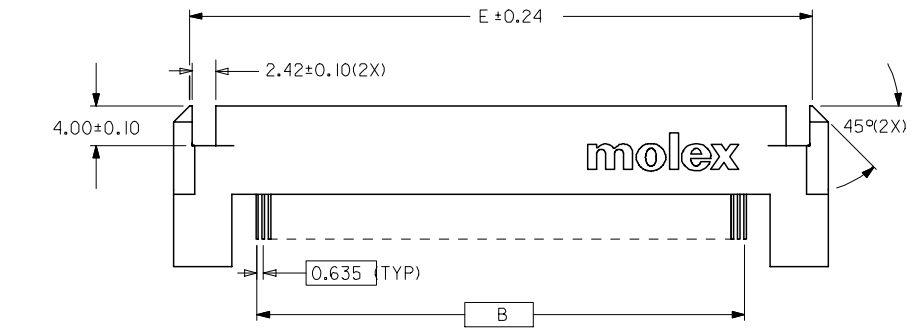
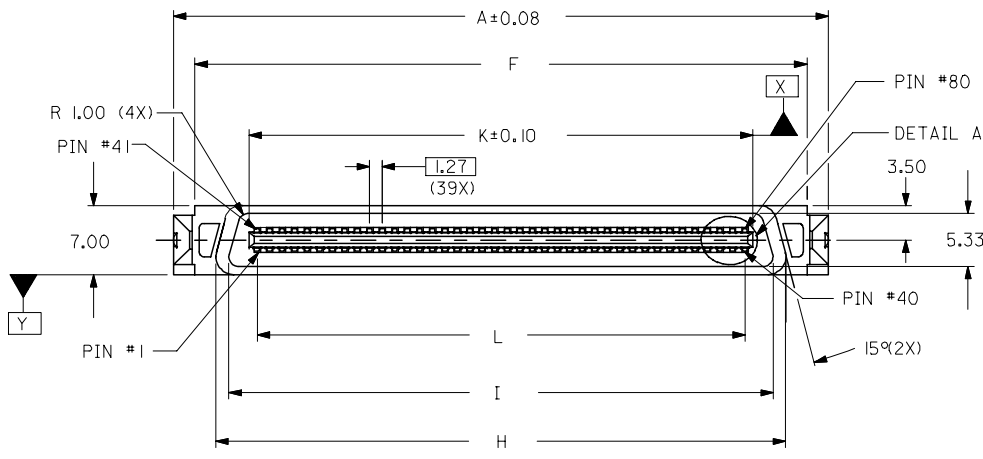


PART NUMBER	CKT	A	B	C	D	E	F
87641-1001	80	66.50	50.165	66.40	64.50	63.30	62.15
87641-1002	40	41.10	24.765	41.00	39.10	37.90	36.75
		G	H	I	J	K	L
		58.42	57.87	55.27	54.70	51.17	49.53
		33.02	32.47	29.87	29.30	25.77	24.13



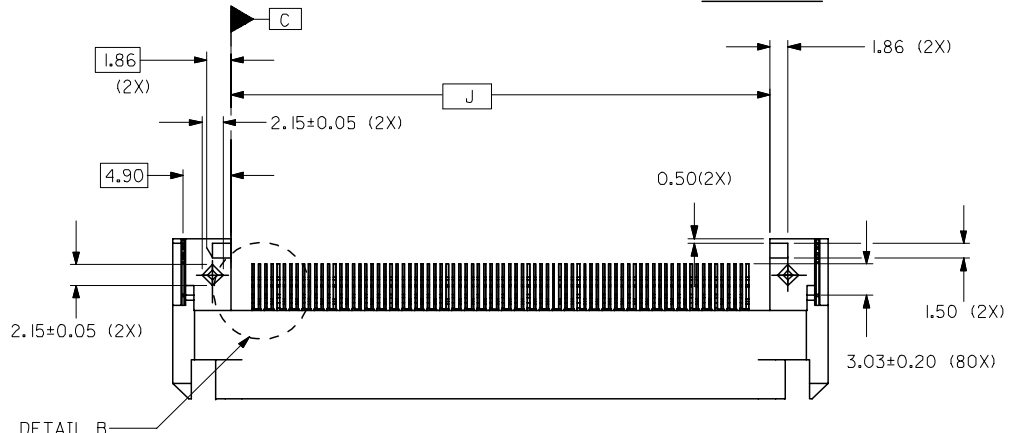
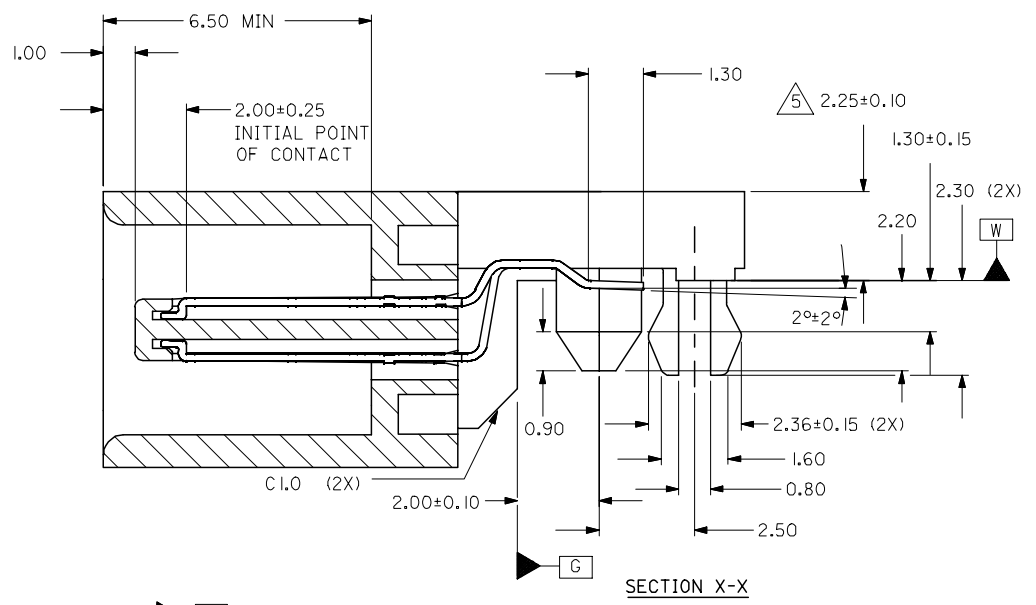
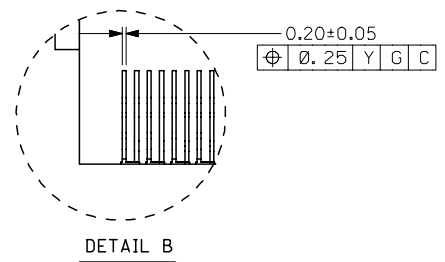
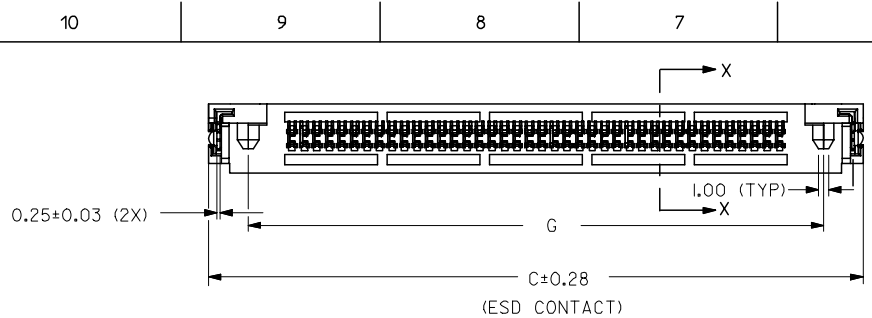
OBS TIN/LEAD P/N	2006/04/11
EC NO: S2006-0817	2006/04/12
DRWN:MLONG	2006/04/12
CHKD:CGTAN	2006/04/12
APPR:KCLING	2006/04/12

QUALITY SYMBOLS	DESCRIPTION
▽=0	
▽C=0	

GENERAL TOLERANCES (UNLESS SPECIFIED)	
mm	INCH
4 PLACES ± ---	± ---
3 PLACES ± ---	± ---
2 PLACES ± 0.30	± ---
1 PLACE ± ---	± ---
ANGULAR ± 3 °	
DRAFT WHERE APPLICABLE MUST REMAIN WITHIN DIMENSIONS	

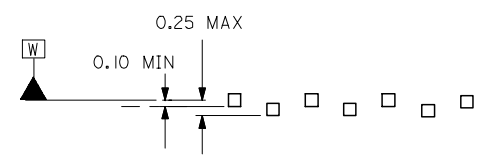
DIMENSION STYLE	
MM ONLY	
DRAWN BY	DATE
NAGESH	2000/07/22
CHECKED BY	DATE
KCLING	2000/08/11
APPROVED BY	DATE
SKTOH	2000/08/11
MATERIAL NO.	
SEE TABLE	

SCALE	DESIGN UNITS	THIRD ANGLE PROJECTION	
NTS	METRIC		
TITLE		SCA-2, 1.27MM PITCH, SIL PLUG, W/LOC. PEG, SMT	
MOLEX INCORPORATED		MOLEX INCORPORATED	
DOCUMENT NO.		SHEET NO.	
SD-87641-001		1 OF 3	
THIS DRAWING CONTAINS INFORMATION THAT IS PROPRIETARY TO MOLEX INCORPORATED AND SHOULD NOT BE USED WITHOUT WRITTEN PERMISSION			



NOTE:

- MATERIAL :
HOUSING:LCP, UL RATED 94V-0 COLOUR BLACK
CONTACTS: COPPER ALLOY
ESD CLIP : COPPER ALLOY
- PLATING:
CONTACTS: 1.27 μ m MIN. NICKEL UNDERPLATE ALL OVER,
0.76 μ m MIN. GOLD PLATE AT CONTACT AREA
AND 3.81 μ m MIN. TIN ON SOLDER TAILS.
ESD CLIP: 1.27 μ m MIN. NICKEL UNDERPLATE ALL
OVER WITH 3.81 μ m MIN. TIN ALL OVER.
- CONTACT MUST BE ABOVE PLASTIC ALONG EFFECTIVE MATING AREA
- 80 CKT IS SHOWN FOR ILLUSTRATION PURPOSE ONLY
- THE MAX OFFSET BETWEEN THE LEFT AND THE RIGHT SHOULDERS IS ± 0.06 MM



OBS TIN/LEAD P/N EC NO: S2006-0817 DRWN:MLONG CHKD:CGTAN APPR:KCLING	2006/04/11 2006/04/12 2006/04/12	DESCRIPTION	QUALITY SYMBOLS	GENERAL TOLERANCES (UNLESS SPECIFIED)		DIMENSION STYLE		SCALE	DESIGN UNITS	THIRD ANGLE PROJECTION	
			$\nabla=0$ $\sphericalcap=0$	mm	INCH	MM ONLY	NTS	METRIC			
REV	D			4 PLACES	± ---	± ---	DRAWN BY	DATE	TITLE SCA-2, 1.27MM PITCH, SIL PLUG, W/LOC. PEG, SMT		
				3 PLACES	± ---	± ---	NAGESH	2000/07/22			
				2 PLACES	± 0.30	± ---	CHECKED BY	DATE	MOLEX INCORPORATED		
				1 PLACE	± ---	± ---	KCLING	2000/08/11			
				ANGULAR ± 3 °			APPROVED BY	DATE	DOCUMENT NO. SD-87641-001		
				DRAFT WHERE APPLICABLE MUST REMAIN WITHIN DIMENSIONS			SKTOH	2000/08/11			
							MATERIAL NO.		SHEET NO.		
							SEE TABLE		2 OF 3		
THIS DRAWING CONTAINS INFORMATION THAT IS PROPRIETARY TO MOLEX INCORPORATED AND SHOULD NOT BE USED WITHOUT WRITTEN PERMISSION											

10 9 8 7 6 5 4 3 2 1

F F

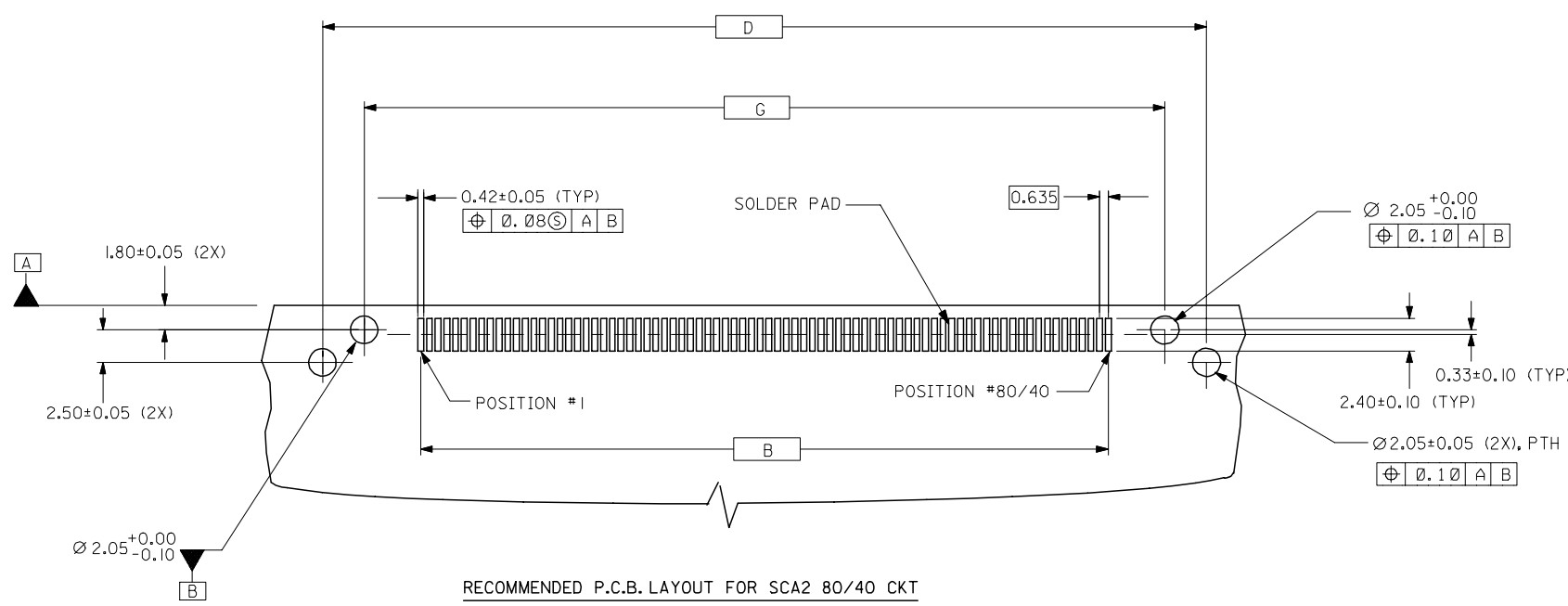
E E

D D

C C

B B

A A



RECOMMENDED P.C.B. LAYOUT FOR SCA2 80/40 CKT

OBS TIN/LEAD P/N EC NO: S2006-0817 DRWN:MLONG CHKD:CGTAN APPR:KCLING	2006/04/11 2006/04/12 2006/04/12	DESCRIPTION REV	QUALITY SYMBOLS	GENERAL TOLERANCES (UNLESS SPECIFIED)	DIMENSION STYLE	SCALE	DESIGN UNITS	THIRD ANGLE PROJECTION
			$\nabla=0$ $\nabla C=0$	mm INCH	MM ONLY	NTS	METRIC	
				4 PLACES ± --- ± --- 3 PLACES ± --- ± --- 2 PLACES ± 0.30 ± --- 1 PLACE ± --- ± --- ANGULAR ± 3°	DRAWN BY DATE NAGESH 2000/07/22 CHECKED BY DATE KCLING 2000/08/11 APPROVED BY DATE SKTOH 2000/08/11	TITLE	SCA-2, 1.27MM PITCH, SIL PLUG, W/LOC. PEG, SMT	
				DRAFT WHERE APPLICABLE MUST REMAIN WITHIN DIMENSIONS	MATERIAL NO. SEE TABLE	MOLEX INCORPORATED DOCUMENT NO. SD-87641-001	SHEET NO. 3 OF 3	

9 8 7 6 5 4 3 2 1