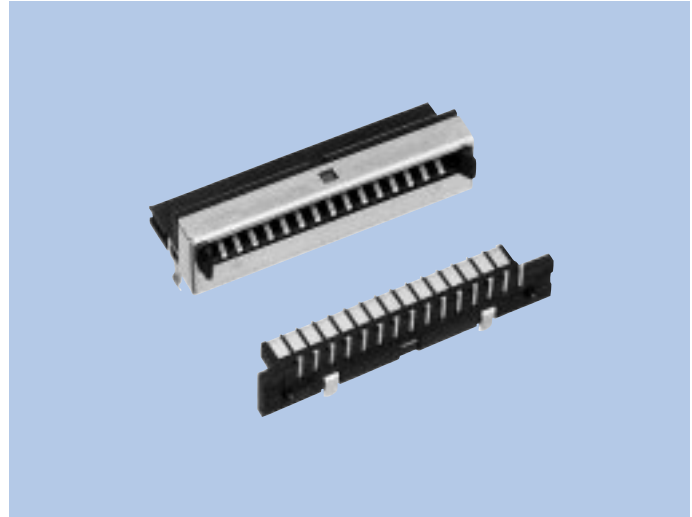


Ditouch Connectors CAM-A44, A45 Series

FEATURES

1. This connector allows for dismounting and remounting of the front panel of car audio equipment mainly to prevent burglary. It is also suitable to the circuit connection between various electronic units.
2. A fitting positioning guide provided on socket side can absorb the play when fitting.
3. Socket connector which can be mounted directly on the main circuit board reduces the cost of the connector proper. Anti-static metal cover provided.



HOW TO ORDER

1. CAM-A44

A44-015-19-0-B G G A H
1 2 3 4 5 6 7 8 9

- 1 Series No. (A44)
- 2 No. of contacts (015 : 15pins)
- 3 Housing Material (02 : PBT resin, 05 : 46Nylon)
- 4 Housing UL grade (0 : UL94V-0)
- 5 Contact finish
(B : Contacts/Gold plating, Read pin/Solder plating)
- 6 Contact pin plating thickness (G : 0.3 μ)
- 7 Contact Read Style (A : Straight, G : Angle SMT)
- 8 Socket accessories (A : Non, M : Shielded case)
- 9 Plug accessories (A : Non, H : Wing)

2. CAM-A45 (Socket)

A45-015-02 0-B G A M A
1 2 3 4 5 6 7 8 9

- 1 Series No. (A45)
- 2 No. of contacts (015 : 15pins)
- 3 Housing Material (02 : PBT resin, 05 : 46 Nylon)
- 4 Housing UL grade (0 : UL94V-0)
- 5 Contact finish
(B : Contacts/Gold plating, Leads/Solder plating)
- 6 Contact pin plating thickness (G : 0.3 μ)
- 7 Contact read style (A : Straight, G : Angle SMT)
- 8 Socket accessories (A Non, M : Shielded case)
- 9 Plug accessories (A : Non, H : Wing)

SPECIFICATIONS

ELECTRICAL CHARACTERISTICS

Voltage Rating	14V DC
Current Rating	1A
Withstanding Voltage	500V AC (rms)1minute
Insulation Resistance	100M Ω min. (at 500V DC)
Contact Resistance	50m Ω max.

MECHANICAL CHARACTERISTICS

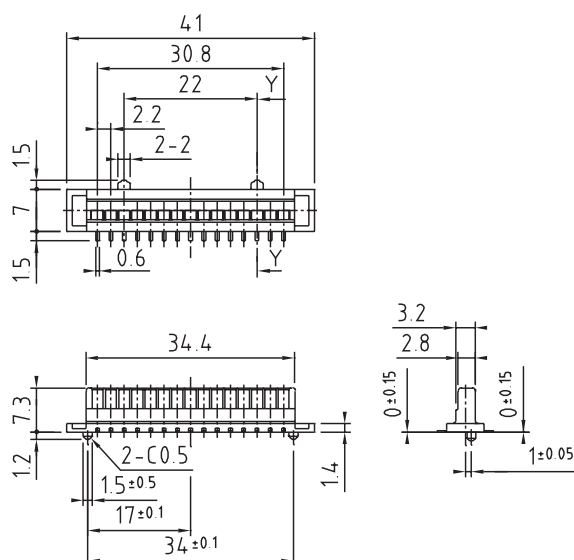
Life (Mating cycle)	10,000
Total Insertion Force	11.8N (1.2kgf) max.
Total Withdrawal Force	2~49N (0.2~5kgf)
Using Temperature Range	-20~+80°C

MATERIAL & FINISH

Component parts		Material	Finish
CAM-A44	Housing	PBT resin	---
	Contact	Copper Alloy	Gold selective plating
	Wing	Copper Alloy	Solder plating
CAM-A45	Housing	PBT resin	---
	Contact	Copper Alloy	Gold selective plating
	Cover	Copper Alloy	Tin reflow plating

DIMENSIONS

CAM-A44 Series



CAM-A45 Series

