

## SPECIFICATIONS

## DDR II Connector

### Mechanical

**Contact Retention Force:** 0.75Lbs (0.34kgf) min. per Contact  
**Durability:** 25 Cycles  
**Dram Board Insertion Force:** 3 oz max. per Contact

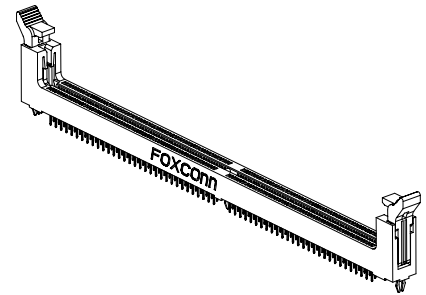
### Electrical

**Voltage Rating:** 250V AC  
**Current Rating:** 1.0A max., 30°C max., in Temperature Rise  
**Insulation Resistance:** 1000MΩ min. initial  
**Dielectric Withstanding Voltage:** 500V AC at Sea Level  
**Low Level Contact Resistance:** 30mΩ max. initial

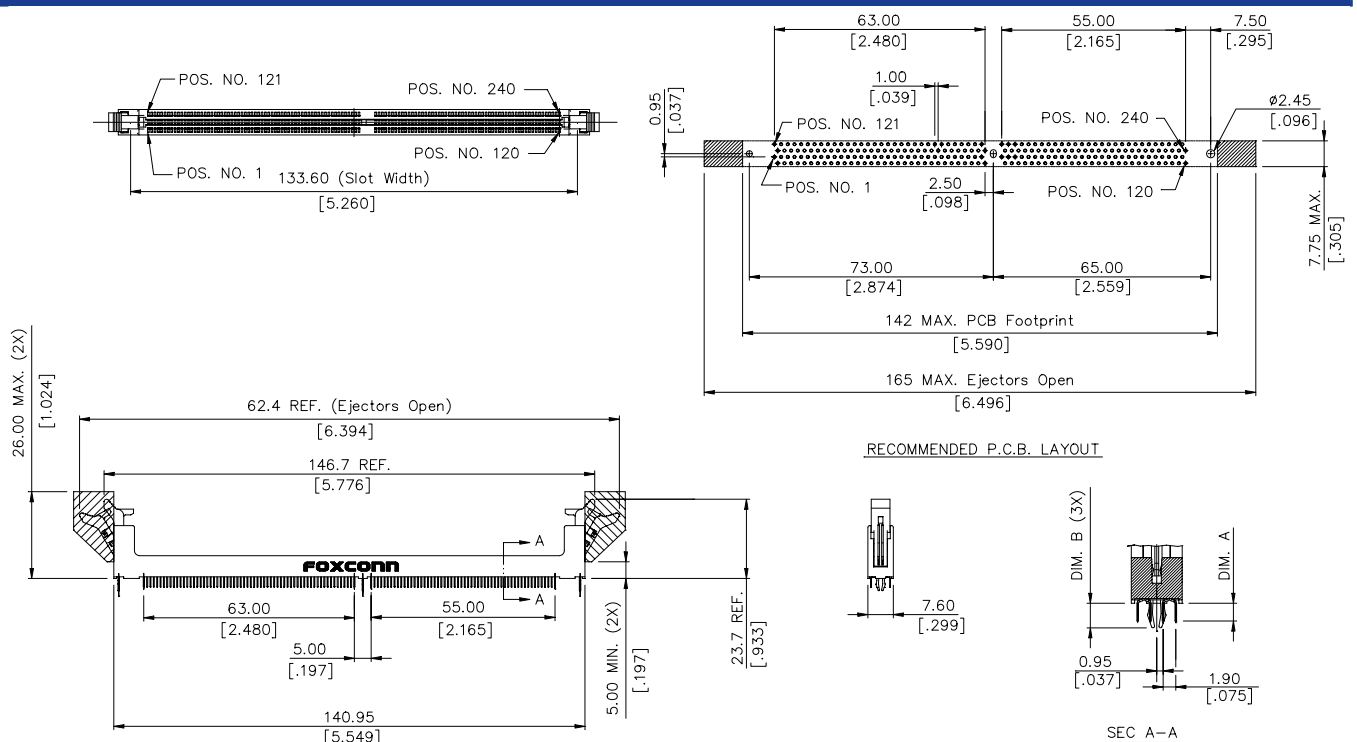
### Physical

**Housing:** Thermoplastic, UL 94V-0 rated in Black Color  
**Contact:** Copper alloy  
**Ejector:** Thermoplastic, UL 94V-0 rated in Ivory or Natural Color  
**Metal Hold Down:** Copper alloy  
**Operating Temperature:** -55°C to +105°C

**AT240 Series**  
**Vertical Type, T/H Type**  
**1.00mm [.039"] Pitch**  
**240 Pos.**



## DRAWING



## ORDERING INFORMATION

PRODUCT NO.: A T 2 4 0 \* \* - D 3

Memory Socket Vertical  
 DDR II DIMM 1.00mm Pitch  
 No. of Pos. 40=240 Pos.  
 Tail Length 0=3.15 [.124] 1=2.67 [.105]

Extension Code  
 Contact Area Plating  
 1=Gold Flash  
 2=20u" Gold  
 3=30u" Gold  
 6=10u" Gold  
 7=15u" Gold  
 F=Gold Flash (Lead Free)  
 J=10u" Gold (Lead Free)  
 V=15u" Gold (Lead Free)  
 X=20u" Gold (Lead Free)  
 H=30u" Gold (Lead Free)

AT2400*-D3	240	1.8V	3.15 [.124]	3.78 [.149]
AT2401*-D3		1.8V	2.67 [.105]	4.57 [.180]
P/N	POS.	VOLTAGE MARKING	DIM. A	DIM. B