

The Intelligent Key Connector

provides a transportable „key-like“ housing for customer provided system boards which can be integrated in the Intelligent Key Connector housing. The housing can then be mated with the Intelligent Key Socket. Common applications are: access control, logistics, data collection and laboratory use.

Design features

- cavity for individual system boards (portable data storage device).
- two different housing sizes available.
- high insertion cycle dip solder receptacle.
- key contact protection 'sleeve'.

Assembly instructions:

Included in product delivery

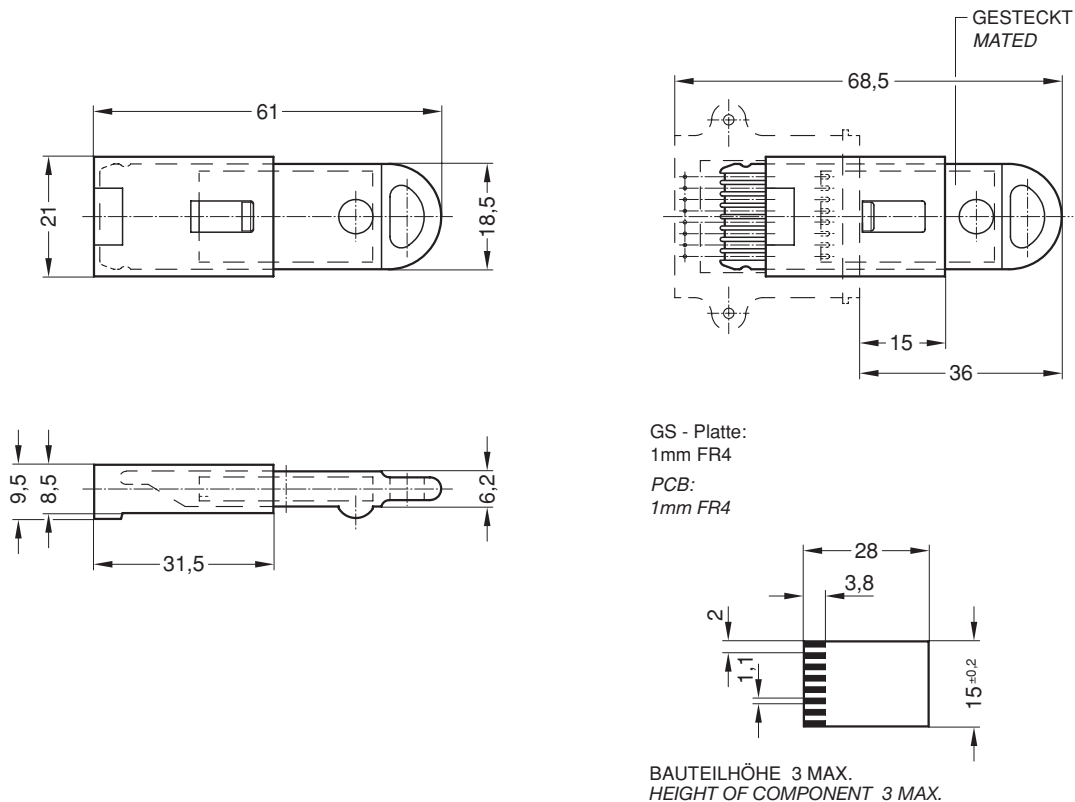


Addendum

Customer specific versions upon request.
Key housings are available in black and red.

Intelligent Key Connector (standard housing)

Fig. 701-1a



Electrical Characteristics	Standard	Value		
Contact resistance	IEC 60512-2, Test 2 a	< 100 m Ω		
Insulation resistance	IEC 60512-2, Test 3 a	> 10 ⁹ Ω		
High voltage resistance	IEC 60512-2, Test 4 a	> 500 V _{AC} ; 1 min		
Rated voltage	IEC 60664-1 resp. VDE 0110	50 V		
Installation (overvoltage) category	IEC 60664-1 resp. VDE 0110	II		
Pollution degree	IEC 60664-1 resp. VDE 0110	2		
Climatical Characteristics				
Climatic category	IEC 60068-1	25 / 85 / 21		
Operating temperature		- 25 °C ... + 85 °C		
Storage temperature		- 40 °C ... + 85 °C		
Mechanical Characteristics				
		Standard housing	Expanded housing	
Insertion force	IEC 60512-7, Test 13b	< 20 N	< 20 N	
Extraction force	IEC 60512-7, Test 13b	> 10 N	> 40 N, < 80 N	
Mechanical lifetime (Mating cycles)	IEC 60512-5, Test 9a (without corrosion stress)	10 ⁵		
Vibration	IEC 60512-4, Test 6 d		Stand. housing	Extend. housing
		f = 10 ... 60 Hz	DA = 1,5 mm	DA = 0,7 mm
		f = 60 ... 2000 Hz	a = 20 g	a = 5 g
		2 h / axis		
Shock, without disconnection	IEC 60512-4, Test 6 c	40 g / 6 ms halfsine		
Contact force		30 ... 60 cN		
IP degree of protection	IEC 60529	open IP 20; mated IP 40		

Description	Fig.	Packaging unit	Part No.
Intelligent Key Connector with standard housing	701-1a	1 piece 10 piece 100 piece 500 piece	C701 20E008 000 1 C701 20E008 000 1 X C701 20E008 000 1 C C701 20E008 000 1 D
Intelligent Key Connector with expanded housing	701-2a	1 piece	C701 20E008 000 2
Receptacle	701-3a	1 piece	C701 20D008 000 1

