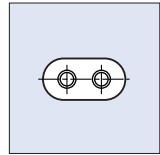
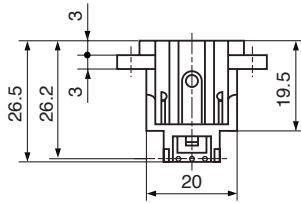
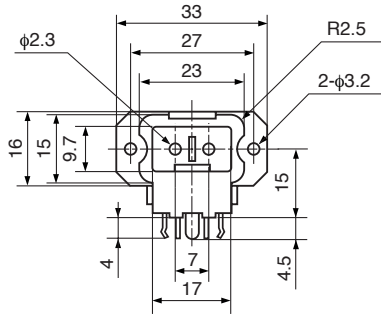
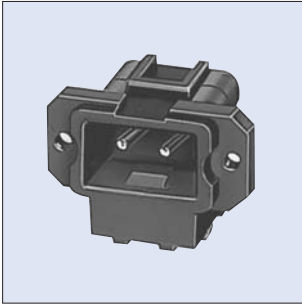
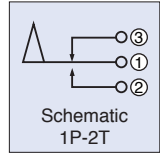


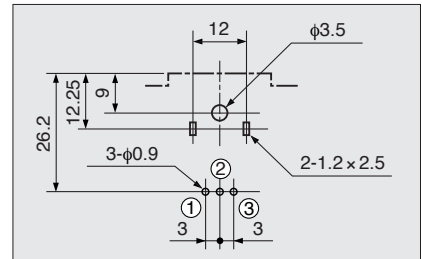
HSC1463-016112



AC Power Plug Type C



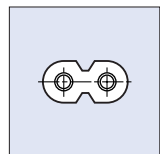
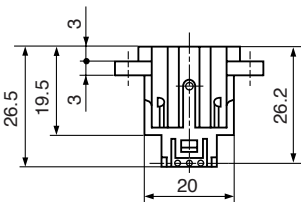
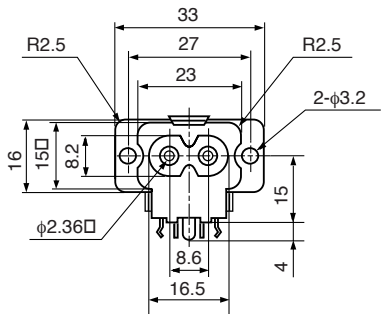
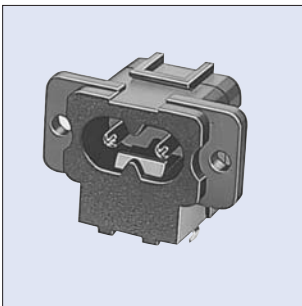
Schematic 1P-2T
Attached Circuit 付属回路



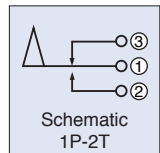
Hole Layout (Bottom View)

	Primary Circuit	Secondary Circuit
Rating	7A 125V AC	2A 15V DC
Dielectric Strength	1500V AC	500V AC
Insulation Resistance	100M min. at 500V DC	

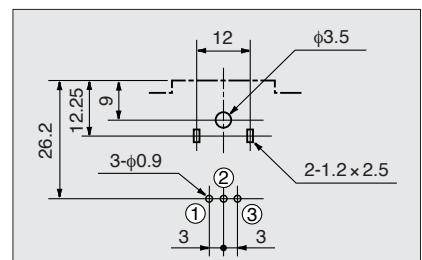
HSC1466-016112



AC Power Plug Type D



Schematic 1P-2T
Attached Circuit 付属回路



Hole Layout (Bottom View)

	Primary Circuit	Secondary Circuit
Rating	2.5A 250V AC	2A 12V DC
Dielectric Strength	4000V AC	500V AC
Insulation Resistance	100M min. at 500V DC	