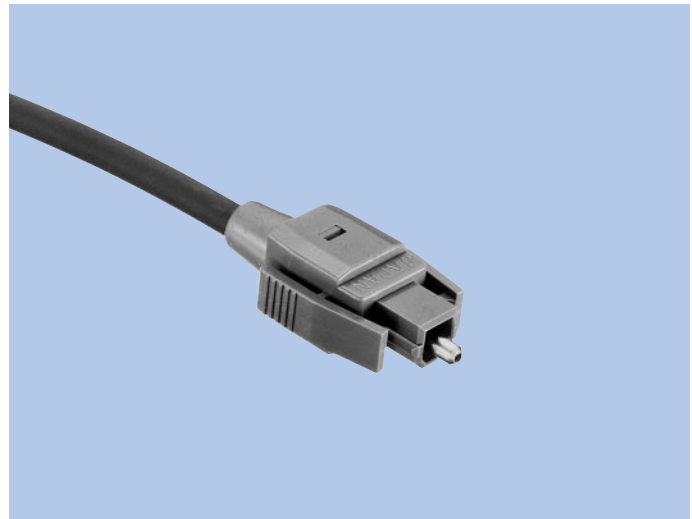


Optical Connectors MC-903 Series

FEATURES

1. This is a connector conforming to JIS F05 type single-core optical fiber connector (C5974) .
2. It is characterized by lever lock mechanism.
3. The applicable fiber is 1,000μm in diameter and 4.0mm in diameter of covering.



HOW TO ORDER

MC-903-00-□□□□-PA-□
 1 2 3 4 5

- 1 Series No. (903)
- 2 No. of contacts
- 3 Running No. assigned by us
- 4 Plug or Socket (PA)
- 5 Supplementary No.

SPECIFICATIONS

OPTICAL CHARACTERISTICS

Insertion loss	2.0dB max.
----------------	------------

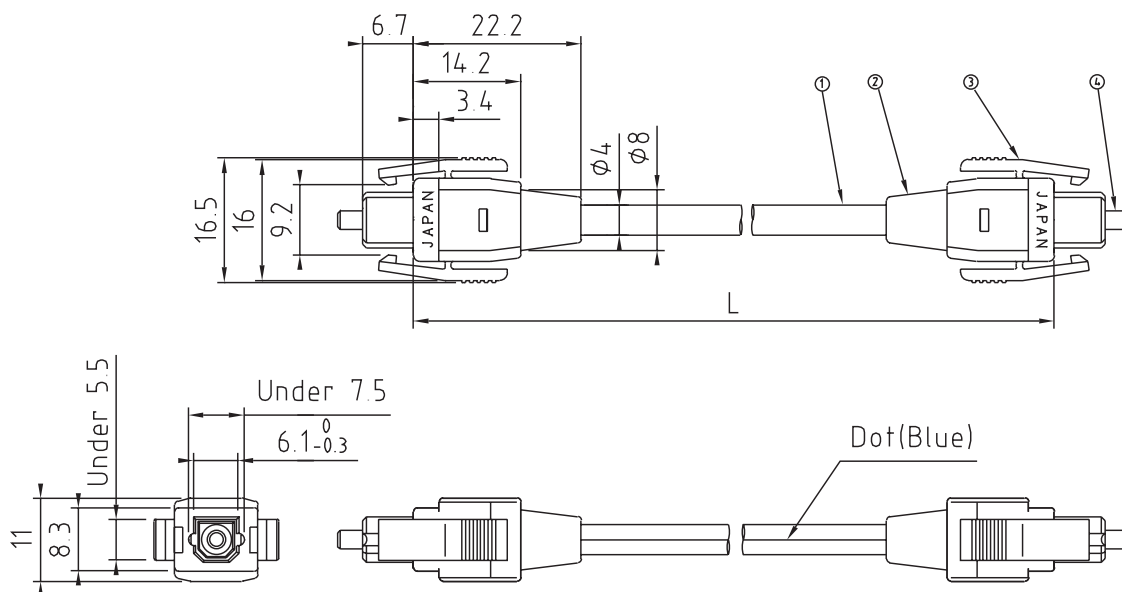
MECHANICAL CHARACTERISTICS

Total Insertion Force	39.2N (4.0kgf) max.
Total Withdrawal Force	19.6N (2.0kgf) min.
Fiber clamp resistance	19.6N (2.0kgf) min.
Life (Mating cycle)	500
Min. Fiber Bend Radius	30mm

MATERIAL & FINISH

Component parts	Material	Finish
Fiber Cable	PVC resin (Black)	APF
Cap	PBT resin	—
Case	Polycarbonate resin	—
Ferrule	Brass	Nickel plating
Fiber Stopper	PBT resin	—

DIMENSIONS



Unit : mm