

The MPC9449 is a 3.3 V or 2.5 V compatible, 1:15 clock fanout buffer targeted for high performance clock tree applications. With output frequencies up to 200 MHz and output skews less than 200 ps the device meets the needs of the most demanding clock applications.

## Features

- 15 LVCMOS compatible clock outputs
- Two selectable LVCMOS and one differential LVPECL compatible clock inputs
- Selectable output frequency divider (divide-by-one and divide-by-two)
- Maximum clock frequency of 200 MHz
- Maximum clock skew of 200 ps
- High-impedance output control
- 3.3 V or 2.5 V power supply
- Drives up to 30 series terminated clock lines
- Ambient temperature range  $-40^{\circ}\text{C}$  to  $+85^{\circ}\text{C}$
- 52-lead LQFP packaging, Pb-free
- Supports clock distribution in networking, telecommunication and computing applications
- Pin and function compatible to MPC949

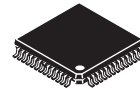
## Functional Description

The MPC9449 is specifically designed to distribute LVCMOS compatible clock signals up to a frequency of 200 MHz. The device has 15 identical outputs, organized in four output banks. Each output bank provides a retimed or frequency divided copy of the input signal with a near zero skew. The output buffer supports driving of  $50\ \Omega$  terminated transmission lines on the incident edge: each output is capable of driving either one parallel terminated or two series terminated transmission lines.

Two selectable LVCMOS compatible clock inputs are available. This feature supports redundant differential clock sources. In addition, the MPC9449 accepts one differential PECL clock signal. The DSELx pins choose between division of the input reference frequency by one or two. The frequency divider can be set individually for each of the four output banks. Applying the OE control will force the outputs into high-impedance mode.

All inputs have an internal pull-up or pull-down resistor preventing unused and open inputs from floating. The device supports a 2.5 V or 3.3 V power supply and an ambient temperature range of  $-40^{\circ}\text{C}$  to  $+85^{\circ}\text{C}$ . The MPC9449 is pin and function compatible but performance-enhanced to the MPC949. The device is packaged in a 52-lead LQFP package.

**3.3 V/2.5 V 1:15  
PECL/LVCMOS  
CLOCK FANOUT BUFFER**



**AE SUFFIX  
52-LEAD LQFP PACKAGE  
Pb-FREE PACKAGE  
CASE 848D-03**

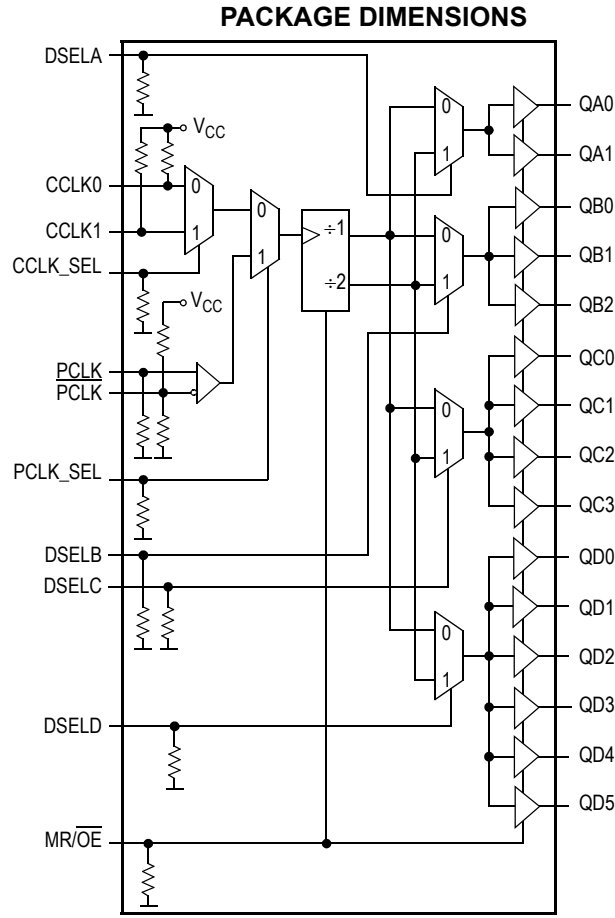


Figure 1. MPC9449 Logic Diagram

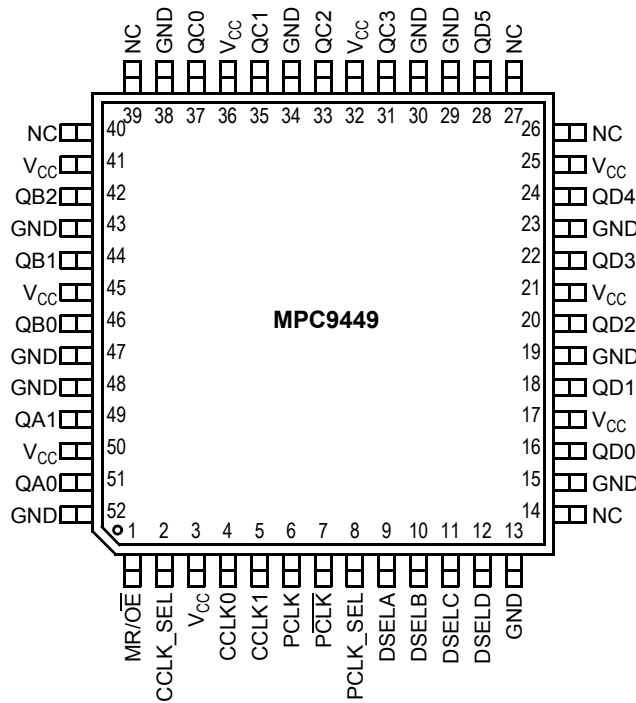


Figure 2. PC9449 52-Lead Package Pinout (Top View)

**Table 1. Function Table**

Control	Default	0	1
PCLK_SEL	0	LVCMOS clock input selected (CCLK0 or CCLK1)	PCLK differential input selected
CCLK_SEL	0	CCLK0 selected	CCLK1 selected
DSELA, DSELB, DSELC, DSELD	0 0 0 0	÷1	÷2
MR/ÖE	1	Outputs enabled	Outputs disabled (high impedance)

**Table 2. Pin Configuration**

Pin	I/O	Type	Function
PCLK, PCLK	Input	LVPECL	Differential LVPECL clock input
CCLK0, CCLK1	Input	LVCMOS	LVCMOS clock inputs
PCLK_SEL	Input	LVCMOS	LVPECL clock input select
CCLK_SEL	Input	LVCMOS	LVCMOS clock input select
DSELA, DSELB, DSELC, DSELD	Input	LVCMOS	Clock divider selection
MR/ÖE	Input	LVCMOS	Output enable/disable (high-impedance tristate)
QA0-1, QB0-2, QC0-3, QD0-5	Output	LVCMOS	Clock outputs
GND	Supply	Ground	Negative power supply (GND)
V <sub>CC</sub>	Supply	V <sub>CC</sub>	Positive power supply for I/O and core. All V <sub>CC</sub> pins must be connected to the positive power supply for correct operation

**Table 3. General Specifications**

Symbol	Characteristics	Min	Typ	Max	Unit	Condition
V <sub>TT</sub>	Output Termination Voltage		V <sub>CC</sub> ÷ 2		V	
MM	ESD Protection (Machine Model)	200			V	
HBM	ESD Protection (Human Body Model)	2000			V	
LU	Latch-Up Immunity	200			mA	
C <sub>PD</sub>	Power Dissipation Capacitance		12		pF	Per output
C <sub>IN</sub>	Input Capacitance		4.0		pF	Inputs

**Table 4. Absolute Maximum Ratings<sup>(1)</sup>**

Symbol	Characteristics	Min	Max	Unit	Condition
V <sub>CC</sub>	Supply Voltage	-0.3	3.8	V	
V <sub>IN</sub>	DC Input Voltage	-0.3	V <sub>CC</sub> +0.3	V	
V <sub>OUT</sub>	DC Output Voltage	-0.3	V <sub>CC</sub> +0.3	V	
I <sub>IN</sub>	DC Input Current		±20	mA	
I <sub>OUT</sub>	DC Output Current		±50	mA	
T <sub>S</sub>	Storage Temperature	-65	125	°C	

1. Absolute maximum continuous ratings are those maximum values beyond which damage to the device may occur. Exposure to these conditions or conditions beyond those indicated may adversely affect device reliability. Functional operation at absolute-maximum-rated conditions is not implied.

**Table 5. DC Characteristics** ( $V_{CC} = 3.3\text{ V} \pm 5\%$ ,  $T_A = -40^\circ\text{C}$  to  $85^\circ\text{C}$ )

Symbol	Characteristics	Min	Typ	Max	Unit	Condition	
$V_{IH}$	Input High Voltage	2.0		$V_{CC} + 0.3$	V	LVCMOS	
$V_{IL}$	Input Low Voltage			0.8	V	LVCMOS	
$V_{OH}$	Output High Voltage	2.4			V	$I_{OH} = -24\text{ mA}^{(1)}$	
$V_{PP}$	Peak-to-Peak Input Voltage	PCLK, $\overline{\text{PCLK}}$	250		mV	LVPECL	
$V_{CMR}^{(2)}$	Common Mode Range	PCLK, $\overline{\text{PCLK}}$	1.0		$V_{CC} - 0.6$	V	LVPECL
$V_{OL}$	Output Low Voltage			0.55 0.30	V V	$I_{OL} = 24\text{ mA}$ $I_{OL} = 12\text{ mA}$	
$Z_{OUT}$	Output Impedance		14 – 17		$\Omega$		
$I_{IN}$	Input Current			$\pm 200$	$\mu\text{A}$	$V_{IN} = V_{CC}$ or GND	
$I_{CCQ}$	Maximum Quiescent Supply Current			10	mA	All $V_{CC}$ Pins	

- The MPC9449 is capable of driving  $50\ \Omega$  transmission lines on the incident edge. Each output drives one  $50\ \Omega$  parallel terminated transmission line to a termination voltage of  $V_{TT}$ . Alternatively, the device drives up to two  $50\ \Omega$  series terminated transmission lines.
- $V_{CMR}$  (DC) is the crosspoint of the differential input signal. Functional operation is obtained when the crosspoint is within the  $V_{CMR}$  range and the input swing lies within the  $V_{PP}$  (DC) specification.

**Table 6. AC Characteristics** ( $V_{CC} = 3.3\text{ V} \pm 5\%$ ,  $T_A = -40^\circ\text{C}$  to  $85^\circ\text{C}$ )<sup>(1)</sup>

Symbol	Characteristics	Min	Typ	Max	Unit	Condition	
$V_{PP}$	Peak-to-Peak Input Voltage	PCLK, $\overline{\text{PCLK}}$	400		1000	mV	LVPECL
$V_{CMR}^{(2)}$	Common Mode Range	PCLK, $\overline{\text{PCLK}}$	1.0		$V_{CC} - 0.6$	V	LVPECL
$f_{max}$	Output Frequency		0		200	MHz	
$f_{ref}$	Input Frequency		0		200	MHz	
$t_{P, REF}$	Reference Input Pulse Width		1.5			ns	
$t_r, t_f$	CCLK0, CCLK1 Input Rise/Fall Time				1.0	ns	0.8 to 2.0 V
$t_{sk(O)}$	Output-to-Output Skew	Qa outputs Qb outputs Qc outputs Qd outputs			50 50 50 100	ps ps ps ps	
	Same Frequency	All outputs			200	ps	
	Different Frequencies	All outputs			300	ps	
$t_{sk(PP)}$	Device-to-Device Skew		2.5			ns	
$t_{sk(P)}$	Output Pulse Skew				250	ps	$DC_{REF} = 50\%$
$t_{PLH, HL}$	Propagation Delay	CCLK0 or CCLK1 to any Q PCLK to any Q	1.0 1.0	3.0 3.0	5.0 5.0	ns ns	
$t_{PLZ, HZ}$	Output Disable Time	OE to any Q			11	ns	
$t_{PZL, LZ}$	Output Enable Time	OE to any Q			11	ns	
$t_r, t_f$	Output Rise/Fall Time <sup>(3)</sup>		0.1		1.0	ns	0.55 to 2.4 V
$t_{JIT(CC)}$	Cycle-to-Cycle Jitter	RMS ( $1\ \sigma$ )		TBD		ps	

- AC characteristics apply for parallel output termination of  $50\ \Omega$  to  $V_{TT}$ .
- $V_{CMR}$  (AC) is the crosspoint of the differential input signal. Normal AC operation is obtained when the crosspoint is within the  $V_{CMR}$  range and the input swing lies within the  $V_{PP}$  (AC) specification. Violation of  $V_{CMR}$  or  $V_{PP}$  impacts propagation delay.
- An input rise/fall time greater than that specified may be used, but AC characteristics are not guaranteed under such a condition.

**Table 7. DC Characteristics** ( $V_{CC} = 2.5\text{ V} \pm 5\%$ ,  $T_A = -40^\circ\text{C}$  to  $85^\circ\text{C}$ )

Symbol	Characteristics	Min	Typ	Max	Unit	Condition
$V_{IH}$	Input High Voltage	1.7		$V_{CC} + 0.3$	V	LVCMOS
$V_{IL}$	Input Low Voltage	-0.3		0.7	V	LVCMOS
$V_{PP}$	Peak-to-Peak Input Voltage PCLK, $\overline{\text{PCLK}}$	250			mV	LVPECL
$V_{CMR}^{(1)}$	Common Mode Range PCLK, $\overline{\text{PCLK}}$	1.0		$V_{CC} - 0.6$	V	LVPECL
$V_{OH}$	Output High Voltage	1.8			V	$I_{OH} = -15\text{ mA}^{(2)}$
$V_{OL}$	Output Low Voltage			0.6	V	$I_{OL} = 15\text{ mA}$
$Z_{OUT}$	Output Impedance		17–20		$\Omega$	
$I_{IN}$	Input Current <sup>(3)</sup>			$\pm 200$	$\mu\text{A}$	$V_{IN} = V_{CC}$ or GND
$I_{CC}$	Maximum Quiescent Supply Current			10	mA	All $V_{CC}$ Pins

- $V_{CMR}$  (DC) is the crosspoint of the differential input signal. Functional operation is obtained when the crosspoint is within the  $V_{CMR}$  range and the input swing lies within the  $V_{PP}$  (DC) specification.
- The MPC9449 is capable of driving  $50\ \Omega$  transmission lines on the incident edge. Each output drives one  $50\ \Omega$  parallel terminated transmission line to a termination voltage of  $V_{TT}$ .
- Inputs have pull-down or pull-up resistors affecting the input current.

**Table 8. AC Characteristics** ( $V_{CC} = 2.5\text{ V} \pm 5\%$ ,  $T_A = -40^\circ\text{C}$  to  $85^\circ\text{C}$ )<sup>(1)</sup>

Symbol	Characteristics	Min	Typ	Max	Unit	Condition
$V_{PP}$	Peak-to-Peak Input Voltage PCLK, $\overline{\text{PCLK}}$	400		1000	mV	LVPECL
$V_{CMR}^{(2)}$	Common Mode Range PCLK, $\overline{\text{PCLK}}$	1.2		$V_{CC} - 0.6$	V	LVPECL
$f_{max}$	Output Frequency	0		200	MHz	
$f_{ref}$	Input Frequency	0		200	MHz	
$t_{p, REF}$	Reference Input Pulse Width	1.5			ns	
$t_r, t_f$	CCLK Input Rise/Fall Time			1.0	ns	0.7 to 1.7 V
$t_{sk(O)}$	Output-to-Output Skew Qa outputs Qb outputs Qc outputs Qd outputs Same Frequency Different Frequencies			50 50 50 100 200 300	ps ps ps ps ps ps	
$t_{sk(PP)}$	Device-to-Device Skew		5.0		ns	
$t_{SK(P)}$	Output Pulse Skew			350	ps	$DC_{REF} = 50\%$
$t_{PLH, HL}$	Propagation Delay CCLK0 or CCLK1 to any Q PCLK to any Q	1.0 1.0	3.5 3.5	7.0 7.0	ns ns	
$t_{PLZ, HZ}$	Output Disable Time OE to any Q			11	ns	
$t_{PZL, LZ}$	Output Enable Time OE to any Q			11	ns	
$t_r, t_f$	Output Rise/Fall Time <sup>(3)</sup>	0.1		1.0	ns	0.6 to 1.8 V
$t_{JIT(CC)}$	Cycle-to-Cycle Jitter RMS (1 $\sigma$ )		TBD		ps	

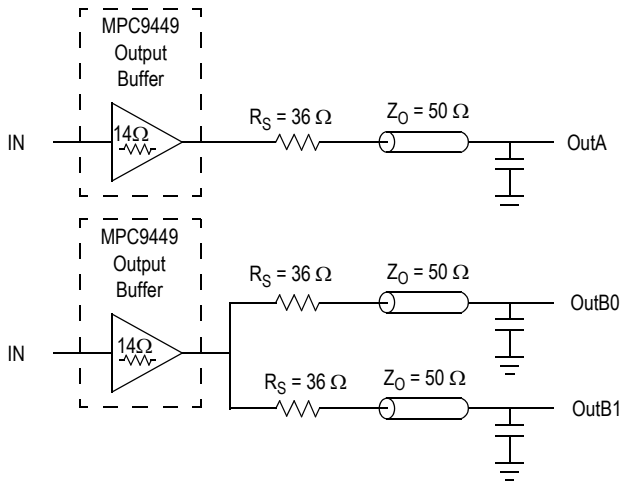
- AC characteristics apply for parallel output termination of  $50\ \Omega$  to  $V_{TT}$ .
- $V_{CMR}$  (AC) is the crosspoint of the differential input signal. Normal AC operation is obtained when the crosspoint is within the  $V_{CMR}$  range and the input swing lies within the  $V_{PP}$  (AC) specification. Violation of  $V_{CMR}$  or  $V_{PP}$  impacts propagation delay.
- An input rise/fall time greater than that specified may be used, but AC characteristics are not guaranteed under such a condition.

## APPLICATIONS INFORMATION

### Driving Transmission Lines

The MPC9449 clock driver was designed to drive high speed signals in a terminated transmission line environment. To provide the optimum flexibility to the user the output drivers were designed to exhibit the lowest impedance possible. With an output impedance of less than  $20\ \Omega$  the drivers can drive either parallel or series terminated transmission lines. For more information on transmission lines the reader is referred to Freescale Semiconductor application note AN1091. In most high performance clock networks point-to-point distribution of signals is the method of choice. In a point-to-point scheme either series terminated or parallel terminated transmission lines can be used. The parallel technique terminates the signal at the end of the line with a  $50\ \Omega$  resistance to  $V_{CC} \div 2$ .

This technique draws a fairly high level of DC current and thus only a single terminated line can be driven by each output of the MPC9449 clock driver. For the series terminated case however there is no DC current draw, thus the outputs can drive multiple series terminated lines. Figure 3 illustrates an output driving a single series terminated line versus two series terminated lines in parallel. When taken to its extreme the fanout of the MPC9449 clock driver is effectively doubled due to its capability to drive multiple lines.



**Figure 3. Single versus Dual Transmission Lines**

The waveform plots in Figure 4 show the simulation results of an output driving a single line versus two lines. In both cases the drive capability of the MPC9449 output buffer is more than sufficient to drive  $50\ \Omega$  transmission lines on the incident edge. Note from the delay measurements in the simulations a delta of only 43 ps exists between the two differently loaded outputs. This suggests that the dual line driving need not be used exclusively to maintain the tight output-to-output skew of the MPC9449. The output waveform in Figure 4 shows a step in the waveform, this step is caused by the impedance mismatch seen looking into the driver. The parallel combination of the  $36\ \Omega$  series resistor plus the

output impedance does not match the parallel combination of the line impedances. The voltage wave launched down the two lines will equal:

$$V_L = V_S (Z_0 \div (R_S + R_0 + Z_0))$$

$$Z_0 = 50\ \Omega \parallel 50\ \Omega$$

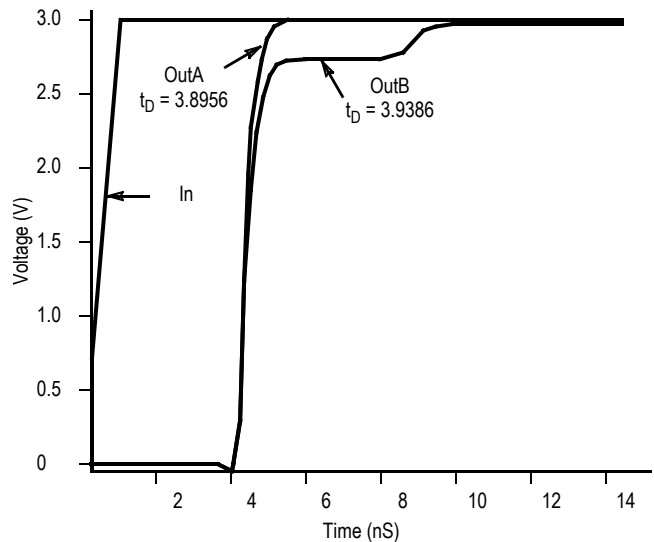
$$R_S = 36\ \Omega \parallel 36\ \Omega$$

$$R_0 = 14\ \Omega$$

$$V_L = 3.0 (25 \div (18 + 17 + 25)) \\ = 1.31\ \text{V}$$

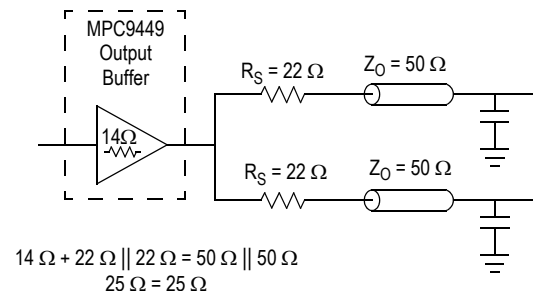
At the load end the voltage will double, due to the near unity reflection coefficient, to 2.6 V. It will then increment towards the quiescent 3.0 V in steps separated by one round trip delay (in this case 4.0 ns).

1. Final skew data pending specification.



**Figure 4. Single versus Dual Waveforms**

Since this step is well above the threshold region it will not cause any false clock triggering, however designers may be uncomfortable with unwanted reflections on the line. To better match the impedances when driving multiple lines the situation in Figure 5 should be used. In this case the series terminating resistors are reduced such that when the parallel combination is added to the output buffer impedance the line impedance is perfectly matched.



**Figure 5. Optimized Dual Line Termination**

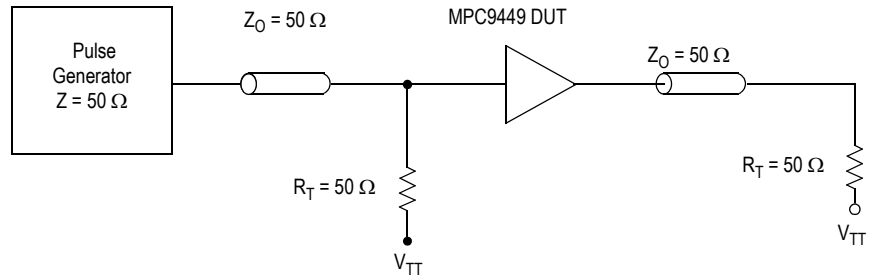


Figure 6. CCLK MPC9449 AC Test Reference for  $V_{CC} = 3.3\text{ V}$  and  $V_{CC} = 2.5\text{ V}$

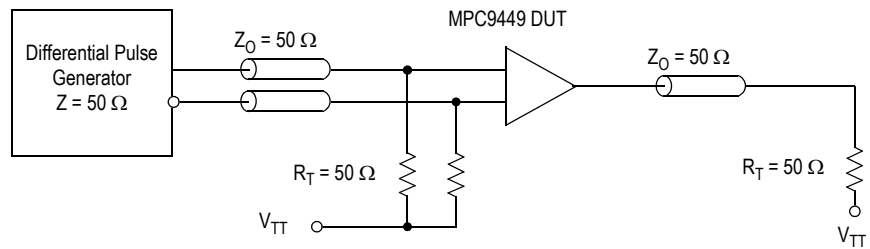
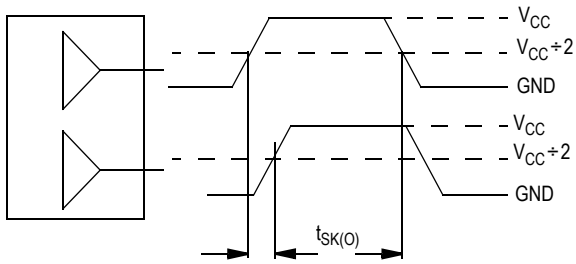
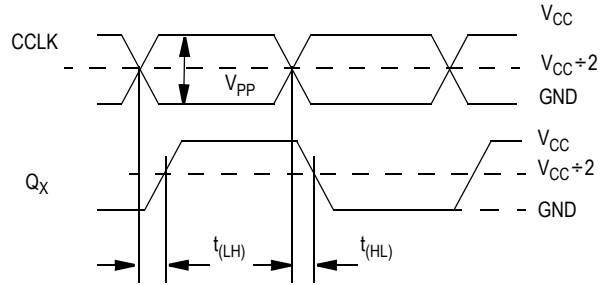


Figure 7. PCLK MPC9449 AC Test Reference

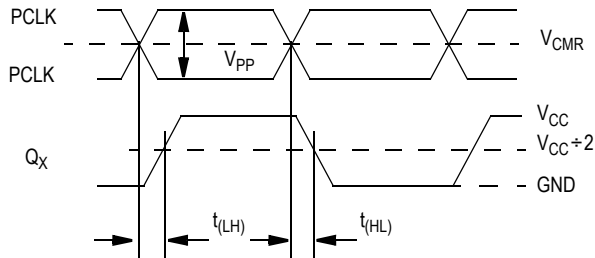


The pin-to-pin skew is defined as the worst case difference in propagation delay between any similar delay path within a single device

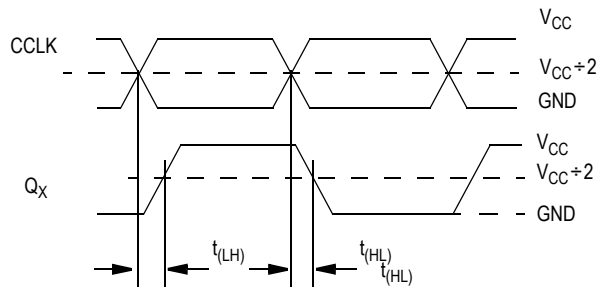
**Figure 8. Output-to-Output Skew  $t_{SK(O)}$**



**Figure 9. Propagation Delay ( $t_{PD}$ ) Test Reference**

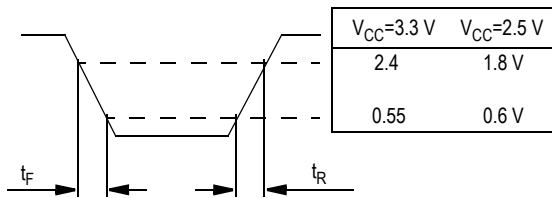


**Figure 10. Propagation Delay ( $t_{PD}$ ) Test Reference**

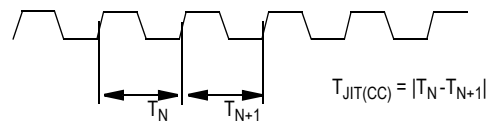


$$t_{SK(P)} = |t_{PLH} - t_{PLH}|$$

**Figure 11. Propagation Delay  $t_{SK(P)}$  Test Reference**



**Figure 12. Output Transition Time Test Reference**

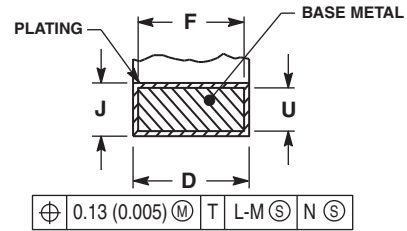
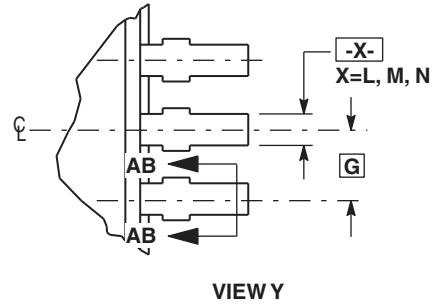
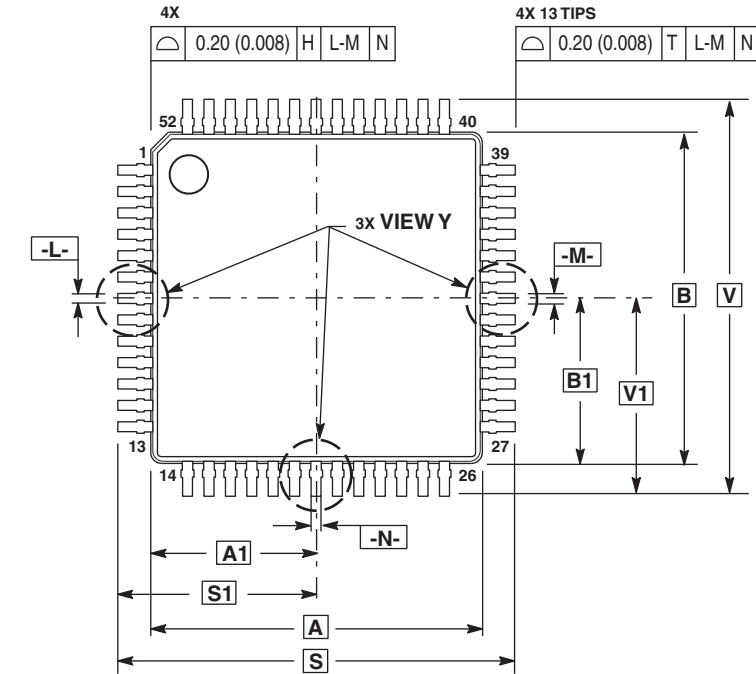


The variation in cycle time of a signal between adjacent cycles, over a random sample of adjacent cycle pairs

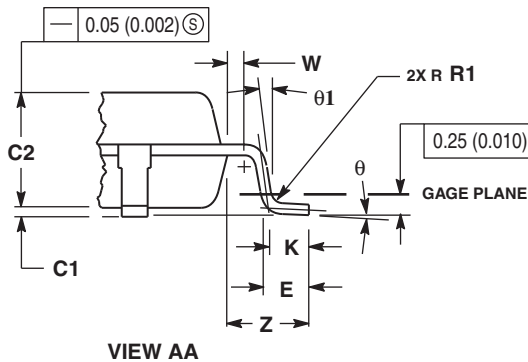
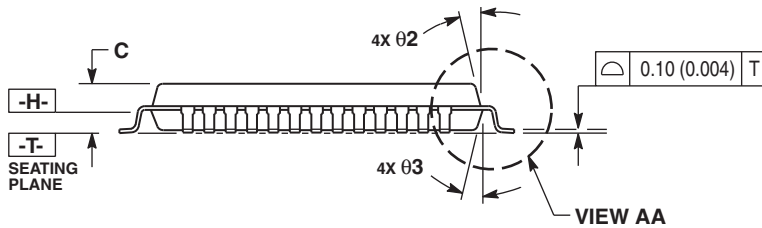
**Figure 13. Cycle-to-Cycle Jitter  
Figure 14**



**PACKAGE DIMENSIONS**



**SECTION AB-AB  
ROTATED 90° CLOCKWISE**



- NOTES:
1. CONTROLLING DIMENSIONS: MILLIMETER.
  2. DIMENSIONING AND TOLERANCING PER ANSI Y14.5M, 1982.
  3. DATUM PLANE -H- IS LOCATED AT BOTTOM OF LEAD AND IS COINCIDENT WITH THE LEAD WHERE THE LEAD EXITS THE PLASTIC BODY AT THE BOTTOM OF THE PARTING LINE.
  4. DATUMS -L-, -M- AND -N- TO BE DETERMINED AT DATUM PLANE -H-.
  5. DIMENSIONS S AND V TO BE DETERMINED AT SEATING PLANE -T-.
  6. DIMENSIONS A AND B DO NOT INCLUDE MOLD PROTRUSION. ALLOWABLE PROTRUSION IS 0.25 (0.010) PER SIDE. DIMENSIONS A AND B DO INCLUDE MOLD MISMATCH AND ARE DETERMINED AT DATUM PLANE -H-.
  7. DIMENSION D DOES NOT INCLUDE DAMBAR PROTRUSION. DAMBAR PROTRUSION SHALL NOT CAUSE THE LEAD WIDTH TO EXCEED 0.46 (0.018). MINIMUM SPACE BETWEEN PROTRUSION AND ADJACENT LEAD OR PROTRUSION 0.07 (0.003).

DIM	MILLIMETERS		INCHES	
	MIN	MAX	MIN	MAX
A	10.00	BSC	0.394	BSC
A1	5.00	BSC	0.197	BSC
B	10.00	BSC	0.394	BSC
B1	5.00	BSC	0.197	BSC
C	---	1.70	---	0.067
C1	0.05	0.20	0.002	0.008
C2	1.30	1.50	0.051	0.059
D	0.20	0.40	0.008	0.016
E	0.45	0.75	0.018	0.030
F	0.22	0.35	0.009	0.014
G	0.65	BSC	0.026	BSC
J	0.07	0.20	0.003	0.008
K	0.50	REF	0.020	REF
R1	0.08	0.20	0.003	0.008
S	12.00	BSC	0.472	BSC
S1	6.00	BSC	0.236	BSC
U	0.09	0.16	0.004	0.006
V	12.00	BSC	0.472	BSC
V1	6.00	BSC	0.236	BSC
W	0.20	REF	0.008	REF
Z	1.00	REF	0.039	REF
θ	0°	7°	0°	7°
θ1	0°	---	0°	---
θ2	12°	REF	12°	REF
θ3	12°	REF	12°	REF

**CASE 848D-03  
ISSUE D  
52-LEAD LQFP PACKAGE**

## Revision History Sheet

Rev	Table	Page	Description of Change	Date
6		1	NRND – Not Recommend for New Designs	12/21/12

## We've Got Your Timing Solution



6024 Silver Creek Valley Road  
San Jose, California 95138

**Sales**  
800-345-7015 (inside USA)  
+408-284-8200 (outside USA)  
Fax: 408-284-2775  
[www.IDT.com/go/contactIDT](http://www.IDT.com/go/contactIDT)

**Technical Support**  
[netcom@idt.com](mailto:netcom@idt.com)  
+480-763-2056

DISCLAIMER Integrated Device Technology, Inc. (IDT) and its subsidiaries reserve the right to modify the products and/or specifications described herein at any time and at IDT's sole discretion. All information in this document, including descriptions of product features and performance, is subject to change without notice. Performance specifications and the operating parameters of the described products are determined in the independent state and are not guaranteed to perform the same way when installed in customer products. The information contained herein is provided without representation or warranty of any kind, whether express or implied, including, but not limited to, the suitability of IDT's products for any particular purpose, an implied warranty of merchantability, or non-infringement of the intellectual property rights of others. This document is presented only as a guide and does not convey any license under intellectual property rights of IDT or any third parties.

IDT's products are not intended for use in applications involving extreme environmental conditions or in life support systems or similar devices where the failure or malfunction of an IDT product can be reasonably expected to significantly affect the health or safety of users. Anyone using an IDT product in such a manner does so at their own risk, absent an express, written agreement by IDT.

Integrated Device Technology, IDT and the IDT logo are registered trademarks of IDT. Other trademarks and service marks used herein, including protected names, logos and designs, are the property of IDT or their respective third party owners.

Copyright 2012. All rights reserved.