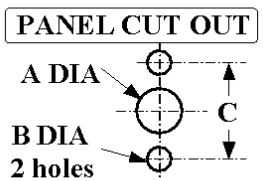
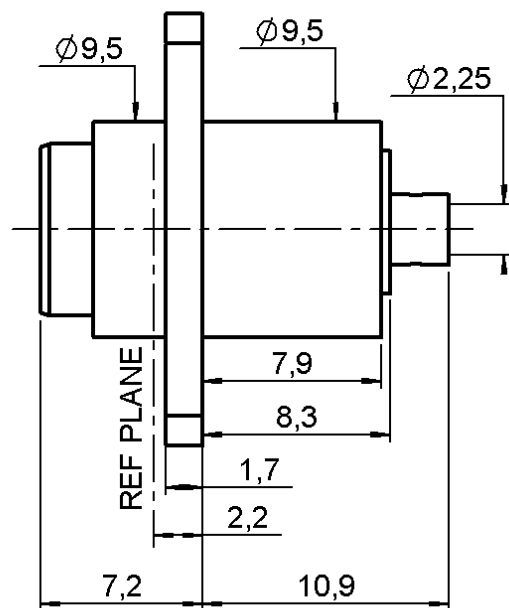
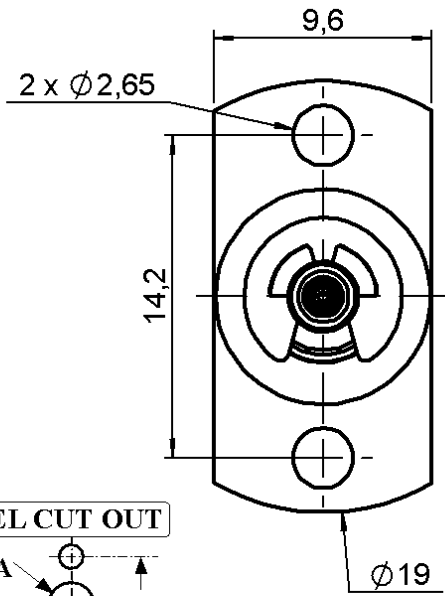


**STRAIGHT 2 HOLES FLANGE FLOATING JACK**

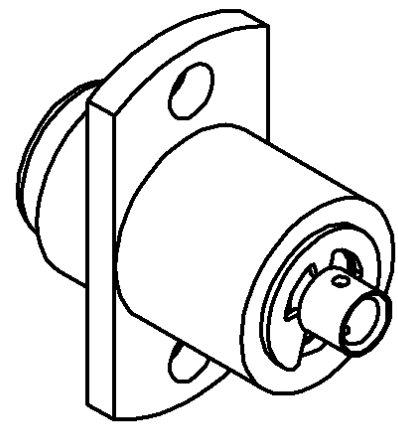
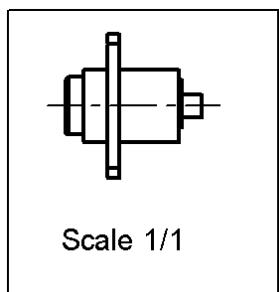
**R128.292.000**

**SOLDER TYPE - CABLE .085**

Series : BMA



	mm	
	Maxi	mini
A	9.56	9.55
B	7.12	7.11
C	14.3	14.1



All dimensions are in mm.

COMPONENTS	MATERIALS	PLATINGS (µm)
BODY	STAINLESS STEEL	GOLD 1.3 OVER NICKEL 2
CENTER CONTACT	BERYLLIUM COPPER	GOLD 1.3 OVER NICKEL 2
OUTER CONTACT	BERYLLIUM COPPER	GOLD 1.3 OVER NICKEL 2
INSULATOR	PTFE	
GASKET	-	
OTHERS PARTS	BRASS	NICKEL 2
-	-	-
-	-	-

Issue : 0040 F

In the effort to improve our products, we reserve the right to make changes judged to be necessary.



**STRAIGHT 2 HOLES FLANGE FLOATING JACK**

**R128.292.000**

**SOLDER TYPE - CABLE .085**

Series : **BMA**

**PACKAGING**

Standard	Unit	Other
<b>100</b>	<b>'W' option</b>	<b>Contact us</b>

**SPECIFICATION**

**CABLE ASSEMBLY**

**ELECTRICAL CHARACTERISTICS**

Stripping	a	b	c	d	e	f
mm	1.78	0.00	0.00	0.00	0.00	0.00

Impedance		<b>50</b>	$\Omega$
Frequency		<b>0-22</b>	GHz
VSWR	<b>1.07</b> +	<b>0.010</b>	x F(GHz) Maxi
Insertion loss		<b>0.03</b>	$\sqrt{F}$ (GHz) dB Maxi
RF leakage	- (	<b>NA</b>	- F(GHz)) dB mini
Voltage rating		<b>350</b>	Veff Maxi
Dielectric withstanding voltage		<b>1000</b>	Veff mini
Insulation resistance		<b>5000</b>	M $\Omega$ mini

Assembly instruction :

Recommended cable(s)  
KS 1  
RG 405

Cable retention

- pull off **136** N mini
- torque **NA** N.cm

**MECHANICAL CHARACTERISTICS**

**TOOLING**

Center contact retention		
Axial force – Mating end	<b>27</b>	N mini
Axial force – Opposite end	<b>27</b>	N mini
Torque	<b>NA</b>	N.cm mini

Part Number	Description	Hexagon
.	.	.
R282.051.000	STRIPPING TOOL	
R282.062.000	POINTER GAUGE	
R282.740.000	SOLDERING MOUNTING	
R282.860.100	SOLDERING POSITIONER	

Recommended torque		
Mating	<b>NA</b>	N.cm
Panel nut	<b>NA</b>	N.cm
Clamp nut	<b>NA</b>	N.cm
A/F clamp nut	<b>0.000</b>	mm

**OTHERS CHARACTERISTICS**

Mating life	<b>1000</b>	Cycles mini
Weight	<b>0.000</b>	g

**ENVIRONMENTAL**

Operating temperature	<b>-65/+125</b>	$^{\circ}$ C
Hermetic seal	<b>NA</b>	Atm.cm3/s
Panel leakage	<b>NA</b>	

Issue : **0040 F**

In the effort to improve our products, we reserve the right to make changes judged to be necessary.



**STRAIGHT 2 HOLES FLANGE FLOATING JACK**

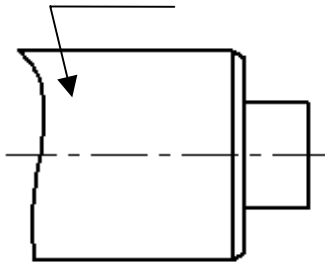
**R128.292.000**

**SOLDER TYPE - CABLE .085**

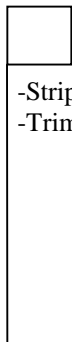
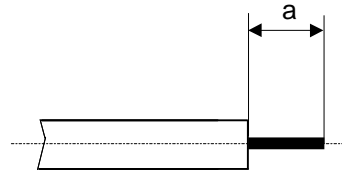
Series : BMA

**COMPONENTS**

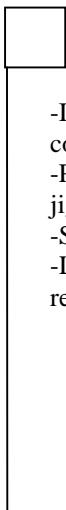
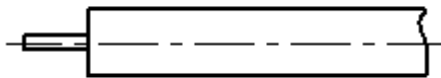
**BODY**



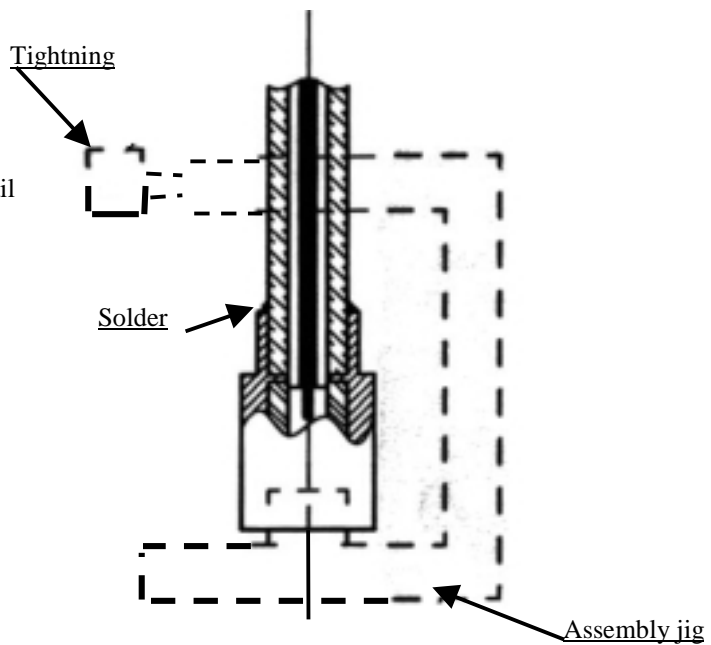
**STIPPING DIMENSIONS**



- Strip the cable with the cable stripping tool.
- Trim the cable inner conductor with the trimmer.



- Introduce the cable into the body until contact with the body shoulder..
- Place the sub-assembly on assembly jig
- Solder body on the cable.
- Let assembly cool down before removing it from the jig.



**Issue : 0040 F**

In the effort to improve our products, we reserve the right to make changes judged to be necessary.

