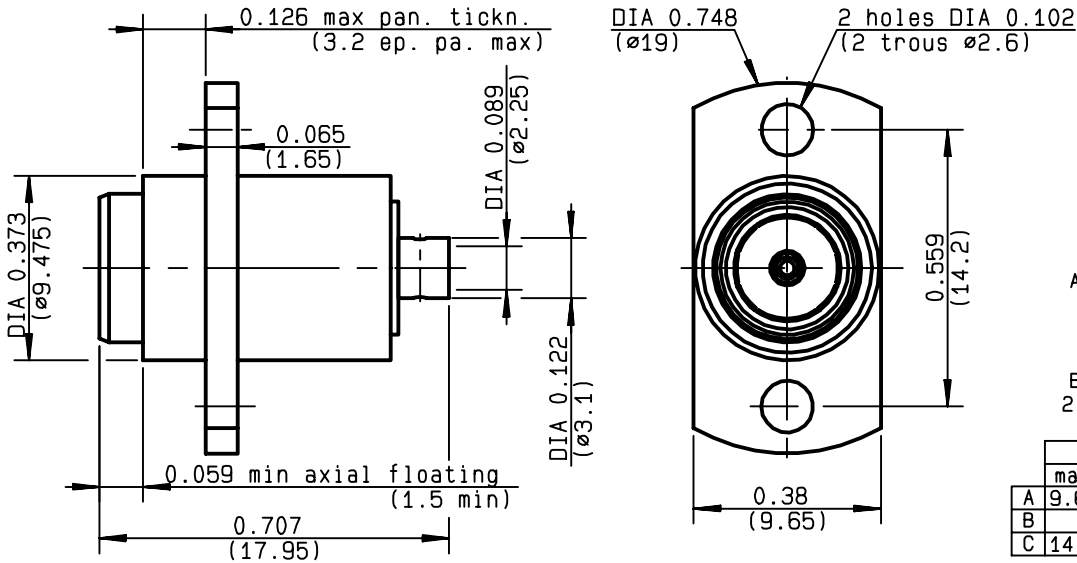


**STRAIGHT 2 HOLES FLANGE FLOATING JACK  
SOLDER TYPE - CABLE .085 - PACK. 100**

**R128.292.800**  
**SERIES BMA COM**



	MM		INCH	
	maxi	mini	maxi	mini
A	9.6	9.55	0.378	0.376
B	2-56 UNC-2B			
C	14.3	14.1	0.563	0.555

NOMINAL IMPEDANCE	<b>50</b>	$\Omega$
FREQUENCY RANGE	<b>0-22</b>	GHz
TEMPERATURE RATING	<b>-65/+125</b>	$^{\circ}\text{C}$
V.S.W.R	<b>1.07 + .01</b>	$\times F(\text{GHz})\text{Maxi}$
RF INSERTION LOSS	<b>0.03</b>	$\sqrt{F}(\text{GHz}) \text{ dB Maxi}$
VOLTAGE RATING	<b>350</b>	$V_{\text{eff}} \text{ Maxi}$
DIELECTRIC WITHSTANDING VOLTAGE	<b>1000</b>	$V_{\text{eff}} \text{ Mini}$
INSULATION RESISTANCE	<b>5000</b>	$M \Omega \text{ Mini}$
HERMETIC SEAL	<b>NA</b>	$\text{Atm. cm}^3/\text{s}$
LEAKAGE (pressurized only)	<b>NA</b>	
MECHANICAL DURABILITY	<b>500</b>	Cycles
WEIGHT	<b>5</b>	gr
SPECIFICATION		

CABLES : **KS 1**  
**RG 405**

OTHERS CHARACTERISTICS

CABLE RETENTION	<b>136</b>	N Mini
CENTER CONTACT RETENTION		
Axial force - mating end	<b>18</b>	N Mini
Axial force - opposite end	<b>18</b>	N Mini
Torque	<b>NA</b>	cm.N Mini
RECOMMENDED TORQUES		
Mating	<b>NA</b>	cm.N
Panel nut	<b>NA</b>	cm.N
Clamp nut	<b>NA</b>	cm.N

CONNECTOR PARTS	MATERIALS	FINISH	(all values are given in micrometers)
BODY	BRASS	GOLD 0.2 OVER NICKEL 2	
OUTER CONTACT	BRONZE	GOLD 0.5 OVER NICKEL 2	
CENTER CONTACT	BRONZE	GOLD 0.5 OVER NICKEL 2	
INSULATOR	PTFE	-	
GASKET		-	
OTHERS PIECES	BRASS	NICKEL 2	

ISSUE	CREATION DATE	FILE PART-NUMBER
<b>9926A02</b>	<b>22/03/1996</b>	<b>95-0105-110</b>



**RADIALL**<sup>®</sup>

LELEU

The information given here is subject to change without notice.  
Design changes may be in order to improve the product .

*Connect to the future*



<b>R128.292.800</b>	
ISSUE 9926A02	SERIES BMA COM

Stripping	a	b	c	d	e
inch	0.07	0	0	0	0
mm	1.78				



<b>R128.292.800</b>	
ISSUE 9926A02	SERIES BMA COM