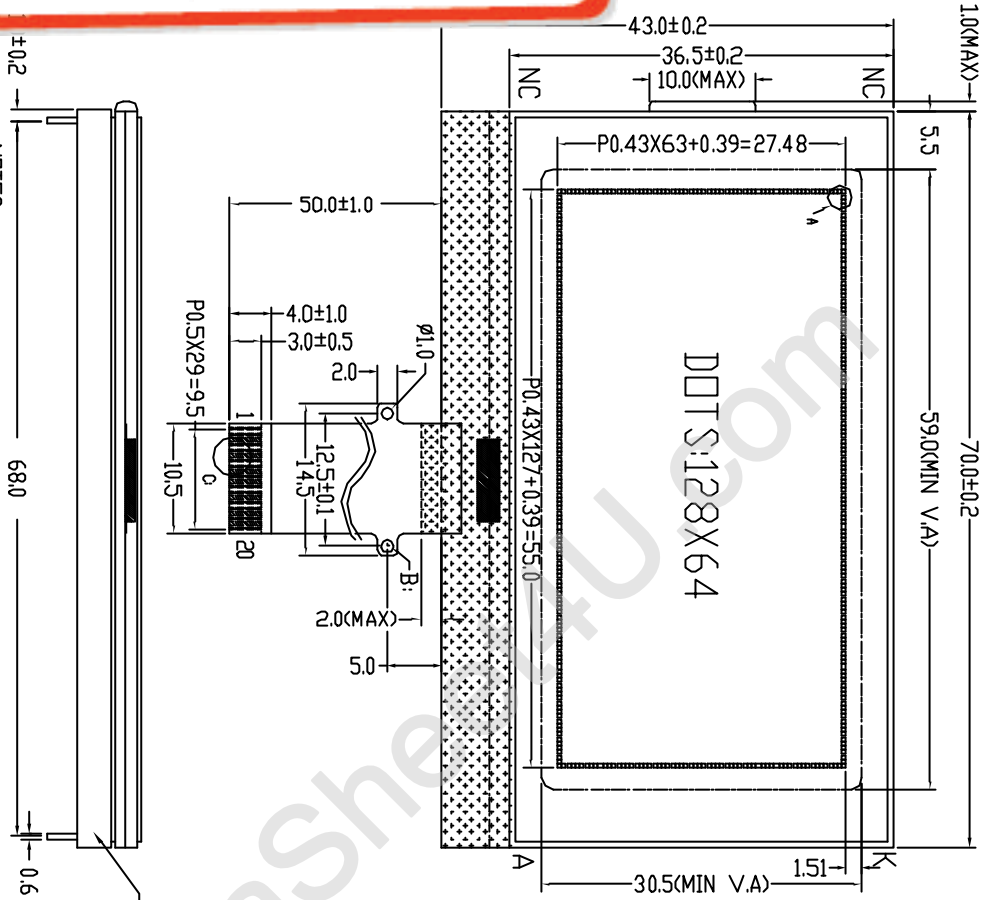
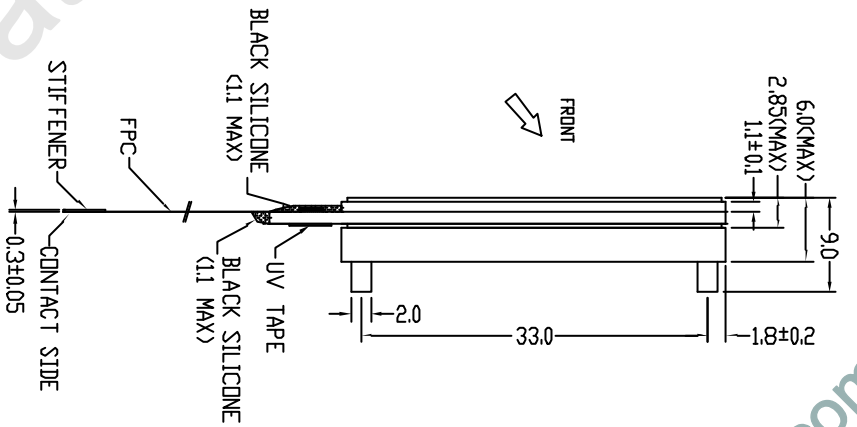


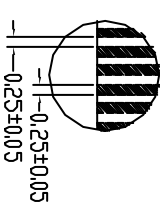
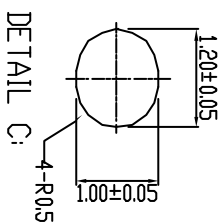
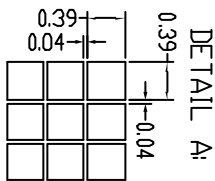
液晶之友 电话: 020-33819057  
 Http://www.lcdfriends.com



- NOTES:
1. DISPLAY TYPE: FSTN
  2. VIEWING DIRECTION: 600
  3. POLARIZER MODE: TRANSLLECTIVE/POSITIVE
  4. LOGIC VOLTAGE: 3.0V
  5. LCD OPERATING VOLTAGE: 9.0V
  6. DRIVE METHOD: 1/65 DUTY
  7. OPERATING TEMP: 1/9 BIAS
  8. STORAGE TEMP: -20°C-+70°C
  9. CONTROLLER: S6B0724A01-B0CY
  10. BACKLIGHT: LED(WHITE,TVD LAMPS,SINGLE SIDE)
  11. CONNECTOR: FPC
  12. UNMARKED TOLERANCES: ±0.3mm



PIN	SYMBOL	PIN	SYMBOL
1	NC	11	C3+
2	V0	12	VOUT
3	V4	13	VSS
4	V3	14	VDD
5	V2	15	SI
6	V1	16	SCL
7	C2-	17	RS
8	C2+	18	/RES
9	C1+	19	/CS1
10	C1-	20	NC



6/F., CASTIC Building, Sherman Road, Central, Shenzhen, China

**TIAN-MA MICROELECTRONICS CO.**

DRAWN BY:	TY	TITLE:	TM12864NCV/G1	SCALE:	1:1
CHECKED BY:	BY	DWG NO.:	G-1	DATE:	2010
APPROVED BY:	BY	DWG NAME:	TM12864NCV/G1-1	SHEET NO.:	1 OF 1
CONTROLLED BY:	BY				