

**SPECIFICATIONS**

**Modular Jack**

**Mechanical**

**Mating Force:** 4Pounds max.(RJ45) 7.88Pounds max.(USB)  
**Unmating Force:** 10Pounds max.(RJ45) 2.25Pounds min.(USB)  
**Durability:** 1000 Cycles(RJ45) 1500 Cycles(USB)

**UB Series**

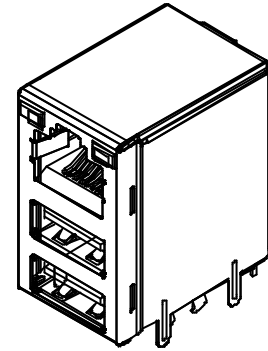
**RJ45 Over Dual USB**  
**R/A, T/H Type**  
**1.27mm [.050"] Pitch**

**Electrical**

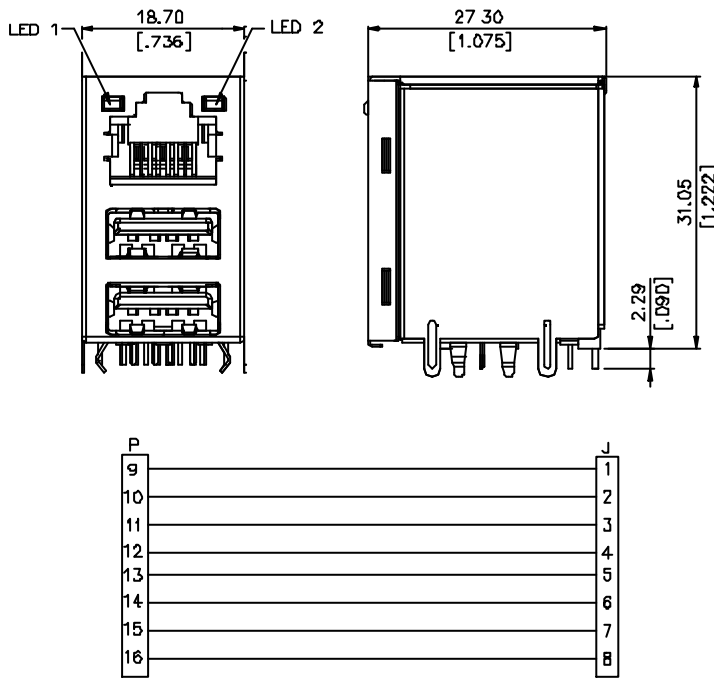
**Current Rating:** 0.5A max.(RJ45) 1.0A(USB)  
**Dielectric Withstanding Voltage:** 1000V(RJ45) 750V(USB)

**Physical**

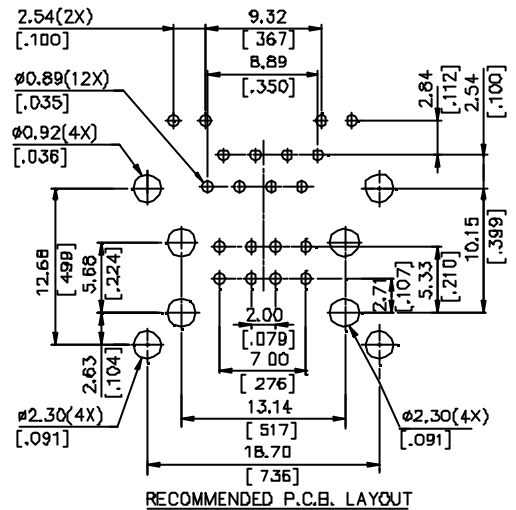
**Housing:** Thermoplastic, UL 94V-0 rated in Black Color  
**Contact:** Copper Alloy  
**Shell:** Copper Alloy  
**Operating Temperature:** 0 to +70



**DRAWING**



SCHEMATIC



RECOMMENDED P.C.B. LAYOUT

**ORDERING INFORMATION**

PRODUCT NO. : **UB1112\* - L\*\***

Universal Series ————  
 Conn. Series ————  
 B=USB A Type  
 Termination Type ————  
 1=Right Angle  
 Contact Design Type ————  
 1=Female

Extension Code ————  
 Contact Area Plating ————  
 C=30u" Pa/Ni + Gold Flash  
 3=30u" Au + Gold Flash  
 Profile High ————  
 2=4.13  
 No. of Contact Pos. ————  
 1=4 Pos.

UB11123-L68	Green	Green-Yellow
UB11123-L61	Yellow	Green
UB11123-L40	Without	Without
P/N	LED1	LED2