

## ADSL Magnetics

### Lucent WildWire 12V ADSL CPE

- Designed to meet UL1459 safety requirements
- Operating temperature range: -40° C to +85° C
- Meets IEC 695, 2-2 flammability requirements
- PWB Process Capability: standard printed wiring board assembly techniques, total-immersion cleaning
- Reliability testing: shock, vibration, temperature cycling, temperature - humidity - bias

### ELECTRICAL SPECIFICATIONS AT 25° C

Part Number	Package	Turns Ratio ± 2%	Inductance <sup>1</sup> mH min	DCR Ω max			Leakage Inductance μH max	Direct Capacitance pF max	Dielectric Rating Vac min
		(1-3) : (2-5) <sup>2</sup>	(2-5)	(2-5)	(1-4)	(6-3)	(2-5) <sup>3</sup>	(2-5) : (1-3) <sup>2</sup>	between 1 & 2 <sup>2</sup>
S560-6600-95	SMD	1 : 2.2	40	2.2	0.52	0.68	10	35	1500
0560-6600-55	THT	1 : 2.2	40	2.2	0.52	0.68	10	35	1500

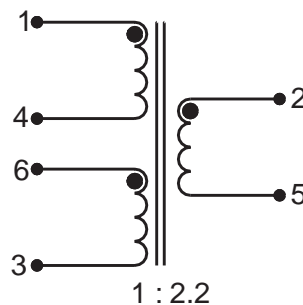
1. measured at 10 kHz, 0.1 Vrms

2. connect terminals 4 to 6

3. connect terminals 4 to 6, short 1, 4, 6, & 3

### SCHEMATIC

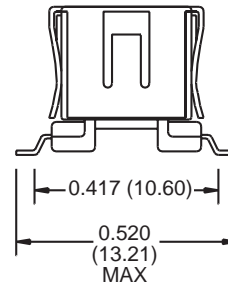
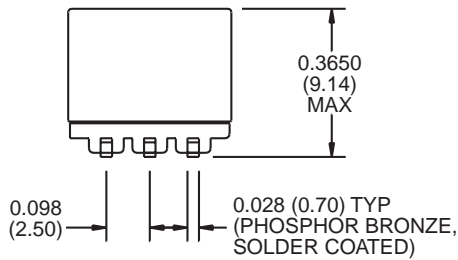
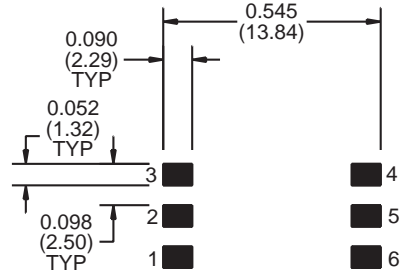
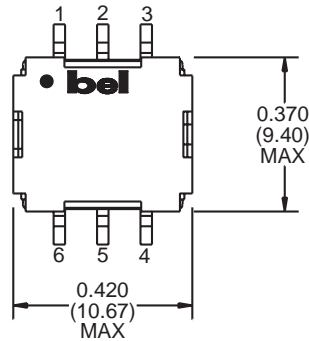
**S560-6600-95**  
**0560-6600-55**



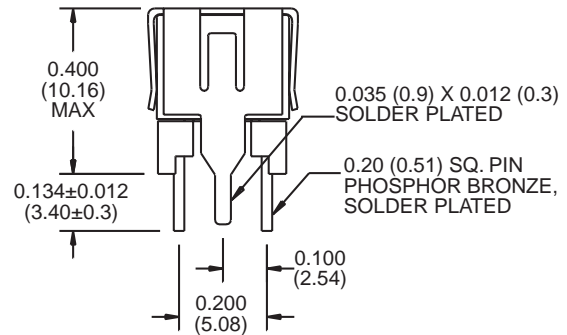
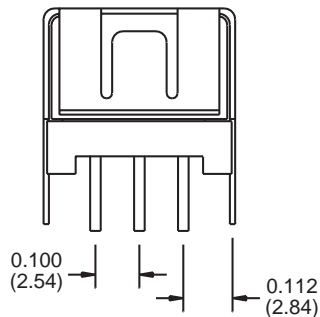
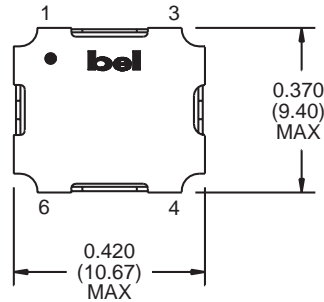
TM00321

### MECHANICAL

S560-6600-95



0560-6600-55



©2000 Bel Fuse Inc. Specifications subject to change without notice. 07.00

### CORPORATE

**Bel Fuse Inc.**  
198 Van Vorst Street  
Jersey City, NJ 07302  
Tel 201-432-0463  
Fax 201-432-9542  
www.belfuse.com

### FAR EAST

**Bel Fuse Ltd.**  
8F / 8 Luk Hop Street  
San Po Kong  
Kowloon, Hong Kong  
Tel 852-2328-5515  
Fax 852-2352-3706  
www.belfuse.com

### EUROPE

**Bel Fuse Europe Ltd.**  
Preston Technology Management Centre  
Marsh Lane, Suite G7, Preston  
Lancashire, PR1 8UD, U.K.  
Tel 44-1772-556601  
Fax 44-1772-888366  
www.belfuse.com