

SPECIFICATIONS

Mechanical

Operating Force & Durability:

100±30gf	1000000 Cycles
130±40gf	1000000 Cycles
160±50gf	1000000 Cycles
260±80gf	100000 Cycles

Travel: 0.25±0.1mm

Solder ability: 240 max. 20s min.
260 max. 20s min. (Lead free)

Electrical

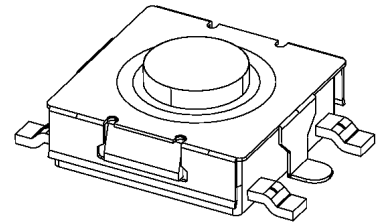
Rating: 20mA max, 15V DC max.
Contact Resistance: 50m max.
Insulation Resistance: 50M min.
Dielectric Withstanding Voltage: 250V AC for 1 Minute
Bounce: on Bounce 3ms max. Off Bounce 8ms max.

Physical

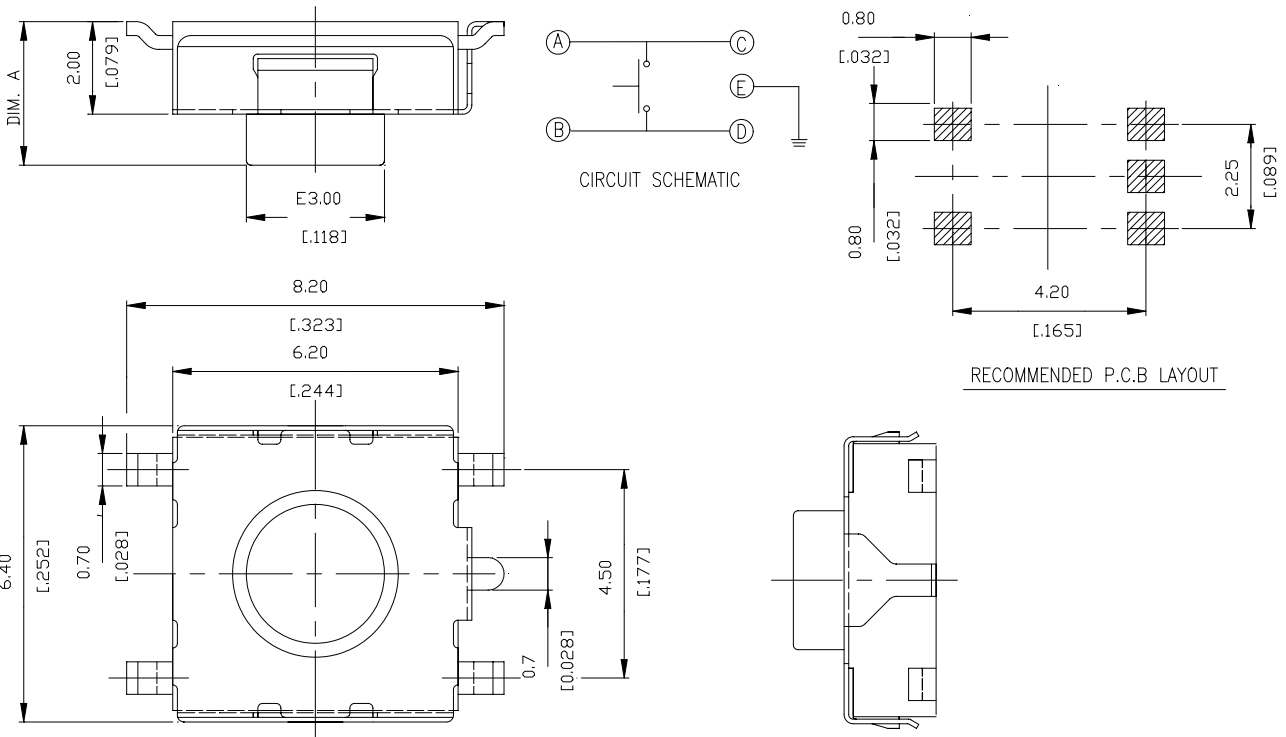
Operating Temperatures: -20 to +70
Package: 1400PCS/Reel, 10Reels/Box

Tact Switch

1BT001
L SMT Type,
W/ Ground



DRAWING



ORDERING INFORMATION

PRODUCT NO.: 1BT001-1****-****

Switch Series
Tact Type
Product Series
Prod. Size: 1=6.2mm*6.2mm
Total Height:
2=2.0mm
3=2.5mm
4=3.1mm

Plating:
0=Standard
L=Lead-free
Terminal:
0=L SMT
1=J SMT
Operating Force:
1=100gf
2=160gf
3=260gf
4=130gf

Modification Code:
None=w/o Ground
001=w/ Ground

1BT001-1440*-001	130±40gf	3.1 [.122]
1BT001-1430*-001	260±80gf	3.1 [.122]
1BT001-1420*-001	160±50gf	3.1 [.122]
1BT001-1410*-001	100±30gf	3.1 [.122]
1BT001-1340*-001	130±40gf	2.5 [.098]
1BT001-1330*-001	260±80gf	2.5 [.098]
1BT001-1320*-001	160±50gf	2.5 [.098]
1BT001-1310*-001	100±30gf	2.5 [.098]
P/N	OPERATING FORCE	DIM. A