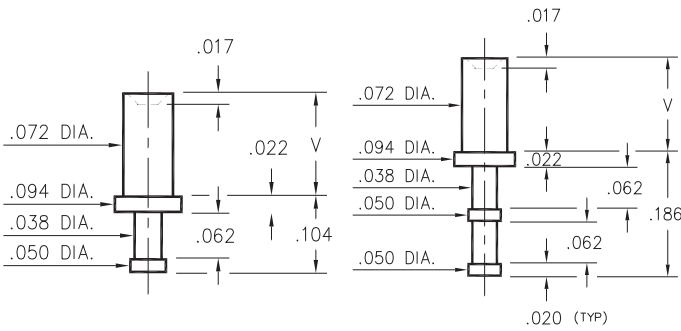


## 2304/2305

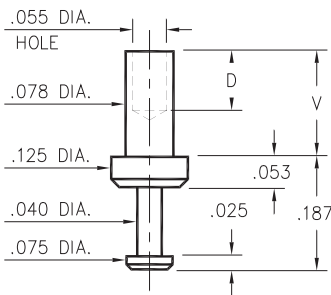


- X -	Board Thickness	Length V
1	.031	.051
2	.062	.082
3	.094	.113
4	.125	.145

**2304-X-00-XX-00-00-07-0**  
Swage mount in .076 hole

**2305-X-00-XX-00-00-07-0**  
Swage mount in .076 hole

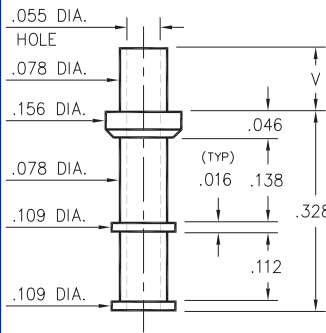
## 2503



- X -	Board Thickness	Length V	Depth D
1	.031	.078	.068
2	.062	.109	.098
3	.094	.141	
4	.125	.172	

**2503-X-00-XX-00-00-07-0**  
Swage mount in .082 hole

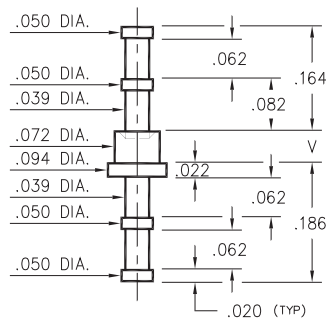
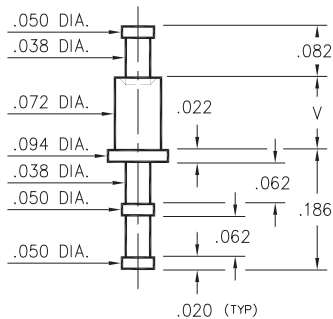
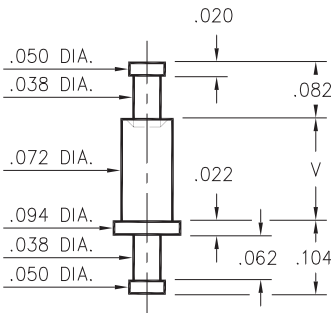
## 2704



- X -	Board Thickness	Length V
1	.031	.075
2	.062	.105
3	.094	.135
4	.125	.165

**2704-X-00-XX-00-00-07-0**  
Swage mount in .082 hole

## 2306/2307/2311



- X -	Board Thickness	Length V
1	.031	.051
2	.062	.082
3	.094	.113
4	.125	.145

**2306-X-00-XX-00-00-07-0**  
Swage mount in .076 hole

**2307-X-00-XX-00-00-07-0**  
Swage mount in .076 hole

**2311-X-00-XX-00-00-07-0**  
Swage mount in .076 hole

### SPECIFICATIONS

**PIN MATERIAL:**  
Brass Alloy 360, 1/2 Hard  
Swage pins are annealed

**DIMENSION IN INCHES**  
**TOLERANCES ON:**  
LENGTHS: ±.005  
DIAMETERS: ±.002  
ANGLES: ± 2°

**ORDER CODE: XXXX - X - 00 - XX - 00 - 00 - 07 - 0**

**BASIC PART #**

**SPECIFY PIN FINISH:**

- 01 200μ" TIN/LEAD OVER NICKEL
- ◇ 80 200μ" TIN OVER NICKEL (RoHS)
- ◇ 44 300μ" SILVER OVER COPPER (RoHS)
- ◇ 50 300μ" ELECTRO-SOLDER (RoHS) (60/40 SnPb)

