

RED INDICATES ORIGINAL

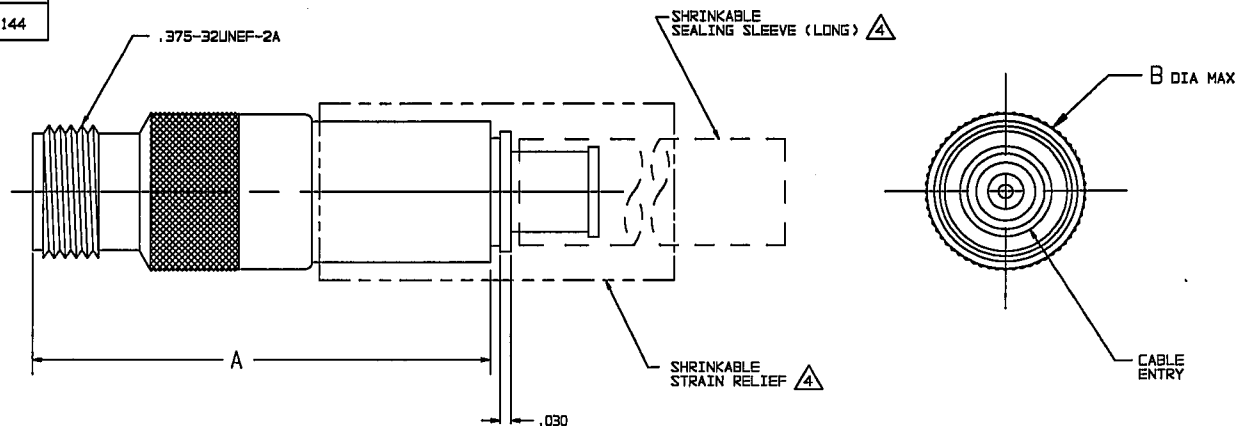
DATA CONTAINED IN THIS DOCUMENT IS PROPRIETARY TO TROMPETER ELECTRONICS, INC. AND SHALL NOT BE DISCLOSED, COPIED OR USED FOR REPRODUCTION OR MANUFACTURE WITHOUT EXPRESS WRITTEN PERMISSION.

REVISIONS			3-0228	SH 1	
REV	ED	DESCRIPTION	DWN	APPROVED	DATE
L	12382	ADDED -224 & -225; SEE ECD	DBN	MM MM	5/18/98

DASH NO	CABLES ACCOMMODATED	A DIM	B DIA	C HEX	ASSEMBLE PER
-201	M17/176-00002				
-202	TWC-78-1				
-203	TWC-124-1A	1.164	.349	.255	TAI-143
-204	10602, RAYCHEM				
-205	TWAC-78-1F2				
-206	782800130, RAYCHEM				
-207	83310 BELDEN	1.289	.452	.344	TAI-167
-208	202-3927 MICRODOT				
-209	202-3942 MICRODOT	1.164	.349	.255	TAI-143
-210	8451 BELDEN				TAI-167
-211	202-3934 MICRODOT				
-212	2524E0114, RAYCHEM				
-213	TWC-78-2	1.289	.452	.344	TAI-144
-214	TWC-124-2				
-215	BL-982 TIMES				
-216	BL-1242 TIMES				
-217	GC875TM24H, GRUMMAN				
-218	EPO 221888, RAYCHEM				
-219	252801114, RAYCHEM				
-220	GC875RR1, GRUMMAN	1.164	.349	.255	TAI-143
-221	10514, RAYCHEM				
-222	10813, RAYCHEM				
-223	HMS2-1148, HUGHES				
-224	TWCP-124-3	1.289	.452	.344	TAI-144
-225	PS665PL, PRIME STOCK				

DASH NO	CABLES ACCOMMODATED	A DIM	B DIA	C HEX	ASSEMBLE PER
-301	GC875GC1, GRUMMAN				
-302	GC875GB1, GRUMMAN 5022E5111, RAYCHEM	1.164	.349	.255	TAI-157
-303	7528A5314, RAYCHEM				
-304					
-305	M17/177-00001 285-3804 MICRODOT	1.289	.452	.344	TAI-173
-306	TRC-80-2 M17/134-00002				
-307	TRC-75-1	1.289	.452	.344	TAI-198
-308	TRC-75-2				TAI-173
-309	TRC-50-1	1.164	.349	.255	TAI-157

INCH	MM
.005	0.13
.030	0.76
.255	6.48
.344	8.74
.349	8.87
.452	11.48
1.00	25.40
1.25	31.75
1.164	29.57
1.289	32.74
1.75	44.45



-207 SHOWN

1 SHRINKABLE STRAIN RELIEF AND/OR SHRINKABLE SEALING SLEEVE SUPPLIED LOOSE AS FOLLOWS:

- CABLE GROUPS -207, -210 & -307:
 - 1 SHRINKABLE STRAIN RELIEF (1.00 LONG)
 - 1 SHRINKABLE SEALING SLEEVE (1.25 LONG)
- CABLE GROUPS -201 THROUGH -206, -208, -209, -217 THROUGH -223, -301, -302, -303 & -309:
 - 1 SHRINKABLE SEALING SLEEVE (1.25 LONG)
- CABLE GROUPS -211 THROUGH -216, -305, -306 & -308:
 - 1 SHRINKABLE STRAIN RELIEF (1.75 LONG)

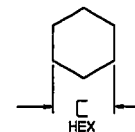
3. 3-LUG SUBMINIATURE CONCENTRIC TWINAX (4 PIECE ASSY) AND TRIAX (6 PIECE ASSY), FULL CRIMP CABLE PLUG

2. FINISH: TFS-1A (NICKEL)

1. ALL DIM ARE IN INCHES

6. EXAMPLE OF COMPLETE MODEL NO:
CJ3150AC-201
BASIC MODEL NO. CABLE GROUP DASH NO

5. EXAMPLE OF COMPLETE PART NO:
3-0228-201
BASIC PART NO. CABLE GROUP DASH NO



RECOMMENDED
HEX CRIMP
SCALE: NONE

QTY	DESCRIPTION	PART NUMBER	ITEM
TOL UNLESS SPECIFIED DIM ±.03 HOLE ±.005 UNLESS OTHERWISE SPECIFIED	TROMPETER ELECTRONICS, INC.	CJ3150AC	
DWN DBN 4/23/98	MATERIAL	CODE IDENT 14949	DRAWING NO. 3-0228
CHK 1A-1 4-24-98	ENGR	APPR	REV L
NEXT ASSY	SCALE 4/1	DATE 5-31-85	SHEET 1 OF 2