

Tous droits strictement réservés. Reproduction ou communication à des tiers interdite sous quelque forme que ce soit sans autorisation écrite du propriétaire. Propriété de FCI. Droits de reproduction FCI.

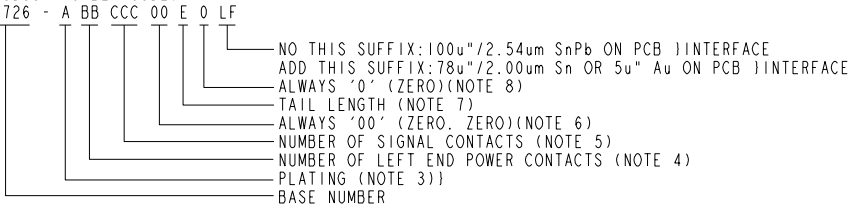
All rights strictly reserved. Reproduction or issue to third parties in any form whatever is not permitted without written authority from the proprietor. Property of FCI. Copyright FCI.

PRODUCT NUMBER
51726-ABBCC00E0_- Note: ①
SEE NOTE 1

DIM	LENGTH FORMULAS (SEE NOTE 10)
DIM "A"	.250 [6.35] x BB + .100 [2.54] x (CCC/4) + .090 [2.29] (NOTE 10)
DIM "D"	.250 [6.35] x BB + .095 [2.41]
DIM "F"	.250 [6.35] x BB + .100 [2.54] x (CCC/4) + .120 [3.05]
DIM "G"	.250 [6.35] x BB - .025 [0.64]

CONNECTOR NOTES

① PRODUCT NUMBER CODE:
51726 - A BB CCC 00 E 0 LF



NO THIS SUFFIX: 100u"/2.54um SnPb ON PCB INTERFACE
ADD THIS SUFFIX: 78u"/2.00um Sn OR 5u" Au ON PCB INTERFACE
ALWAYS '0' (ZERO) (NOTE 8)
TAIL LENGTH (NOTE 7)
ALWAYS '00' (ZERO, ZERO) (NOTE 6)
NUMBER OF SIGNAL CONTACTS (NOTE 5)
NUMBER OF LEFT END POWER CONTACTS (NOTE 4)
PLATING (NOTE 3)
BASE NUMBER

- ⑧ BOARD RETENTION NOT AVAILABLE WITH GUIDELESS ENDS.
- ⑨ MANUFACTURE'S NAME, P/N, AND DATE CODE TO APPEAR ON THIS SURFACE.
- ⑩ THE MAXIMUM OVERALL LENGTH (DIM A) OF A PART IS 8.00 [203.2]
11. PRODUCT SPECIFICATION GS-12-149
12. REFERENCE 51697 FOR SPECIAL WORKSHEET

PCB NOTES:

- 13. ALL DIMENSIONS ARE BASIC UNLESS OTHERWISE SPECIFIED.
- 14. ALL THROUGH HOLES ARE LOCATED WITH A TRUE POSITION OF .004[0.10]
- 15. ALL HOLE DIAMETERS ARE FINISHED HOLE SIZE.
- 16. $\varnothing 0.0453 \pm .001$ [1.151 ± 0.02] DRILLED HOLES PLATED WITH 0.0003 [0.007] MIN SnPb OVER 0.001 [1.03] TO .003 [0.08] PLATING TO ACHIEVE A .040 $\pm .003$ [1.02 ± 08] HOLE.

② HOUSING MATERIAL: GLASS FILLED V-O HIGH TEMP THERMO PLASTIC.
SIGNAL CONTACT MATERIAL: PHOS BRONZE
POWER CONTACT MATERIAL: COPPER ALLOY

③ PLATING OPTION:
1 = SIGNAL CONTACTS: 50u" / 1.27um Ni UNDER ALL; 30u" / 0.76um Au ON THE CONTACT AREA AND WITH 100u"/2.54um SnPb OR 78u"/2.00um Sn ON PCB INTERFACE
POWER CONTACTS: 50u" / 1.27um Ni UNDER ALL; WITH 30u" / 76um Au ON CONTACT AREA AND WITH 100u"/2.54um SnPb OR 78u"/2.00um Sn ON PCB INTERFACE

3 = SIGNAL CONTACTS: 50u" / 1.27um Ni UNDER ALL; 30u" / 0.76um Au ON THE CONTACT AREA AND WITH 5u"/0.13um Au ON PCB INTERFACE
POWER CONTACTS: 50u" / 1.27um Ni UNDER ALL; WITH 30u" / 76um Au ON CONTACT AREA AND WITH 5u"/0.13um Au ON PCB INTERFACE

④ THIS PART IS NOT AVAILABLE WITH RIGHT SIDE POWER CONTACTS.

⑤ SIGNAL CONTACTS, 004 TO 148 AVAILABLE.

⑥ LEFT END POWER CONTACTS, 01 TO 20 AVAILABLE.
MAXIMUM OF 20 POWER CONTACTS PER CONNECTER

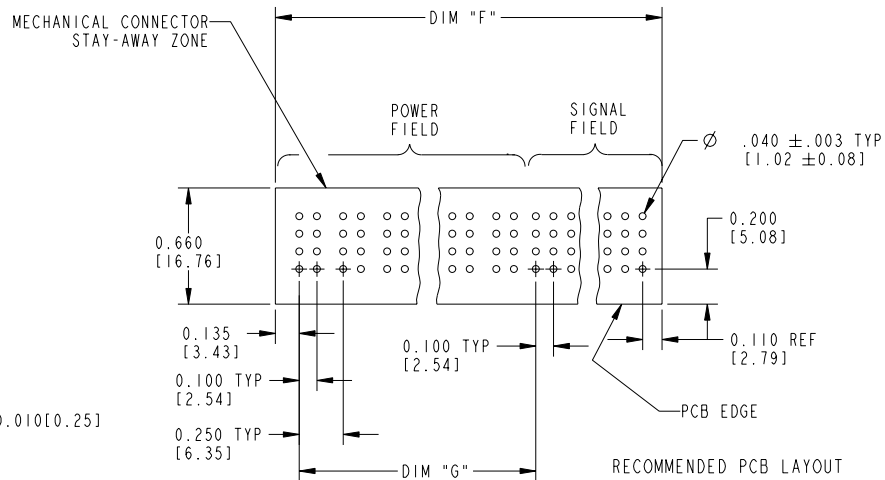
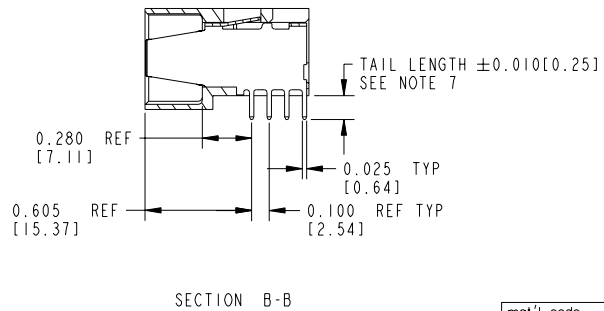
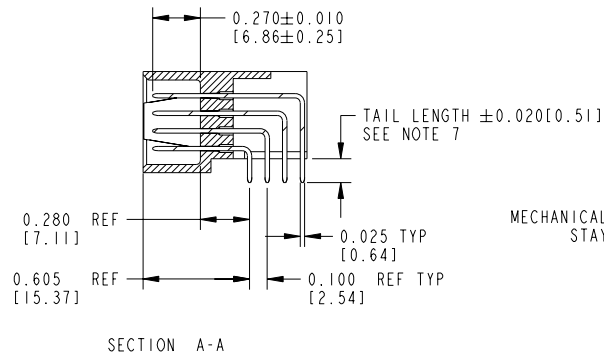
⑦ TAIL LENGTH:
A = .135 [3.43] SOLDER TO BOARD

mat'l code				tolerances unless otherwise specified				CUSTOMER COPY		FCI ELECTRONICS www.fciconnect.com		
ltr	ecn no.	dr	date	linear	.XX±.01/.X±.3			projection		title		
L					.XXX±.005/.XX±.13					RIGHT ANGLE HEADER w/o GUIDE PIN POWER / SIGNAL		
				angles	.XXX±.0020/.XXX±.051				INCH / MM	product family		
					0°±2°					PWRBLADE		code
				dr	D. BOGLE 05-18-99		scale	1:1	A	size		
				enrg	J. BROWN 05-18-99					dwg no		213
				chr	J. BROWN 05-18-99					51726		SHEET
				appd	J. BROWN 05-18-99					2		
sheet index	revision sheet									cage code	22526	4

Tous droits strictement réservés. Reproduction ou communication à des tiers interdite sous quelque forme que ce soit sans autorisation écrite du propriétaire. Propriété de FCI. Droits de reproduction FCI.

All rights strictly reserved. Reproduction or issue to third parties in any form whatever is not permitted without written authority from the proprietor. Property of FCI. Copyright FCI.

PRODUCT NUMBER
51726 - ABBCCC00E0_
Note: ①
SEE NOTE 1



mat'l code				tolerances unless otherwise specified		CUSTOMER COPY		FCI ELECTRONICS www.fciconnect.com	
ltr	ecn no.	dr	date	linear	.XX±.01/.X±.3	projection	title	product family	code
L					.XXX±.005/.XX±.13		RIGHT ANGLE HEADER w/o GUIDE PIN POWER / SIGNAL	PWRBLADE	213
				angles	.XXX±.0020/.XXX±.051			size	3
				dr	0°±2°	INCH / MM		dwg no	SHEET
				enr	0°±2°	scale		51726	3
				chr	0°±2°	1:1			
				appd	0°±2°				
sheet index	revision sheet								

form no. 7530-001-103

cage code 22526

PDM: Rev:L

STATUS Released

Printed: Oct 07, 2006