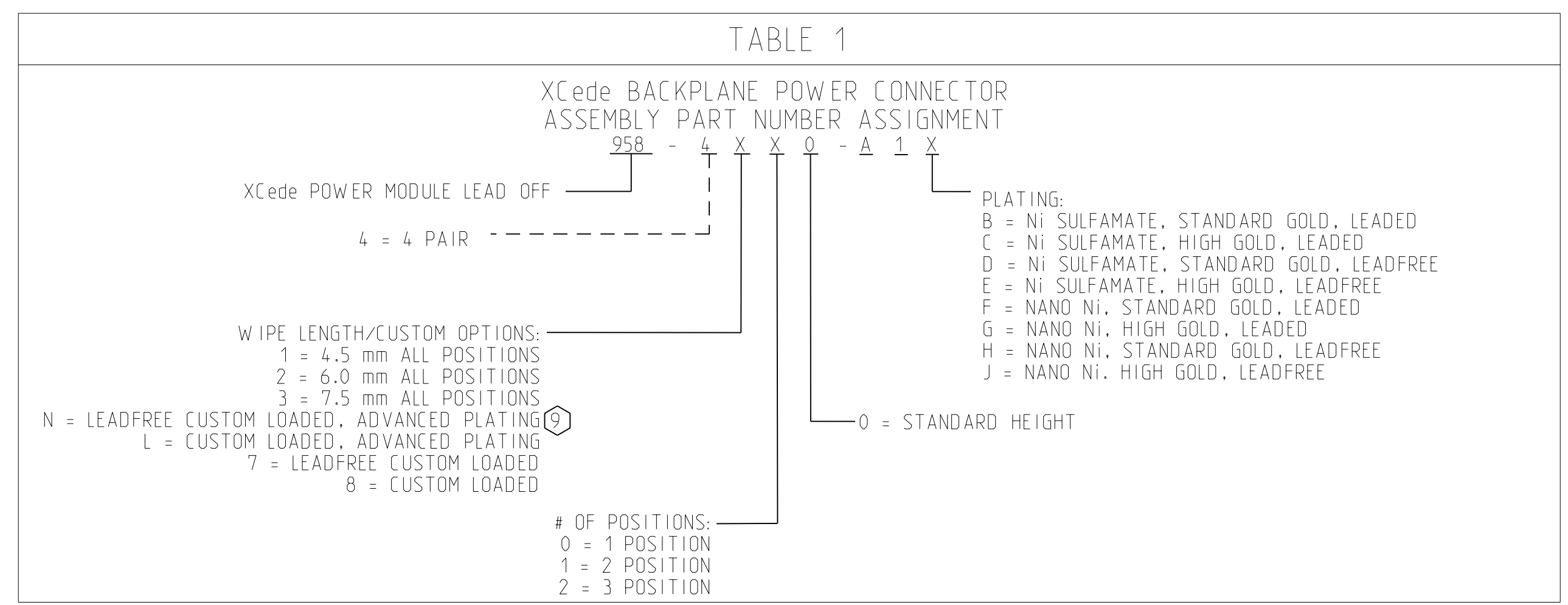
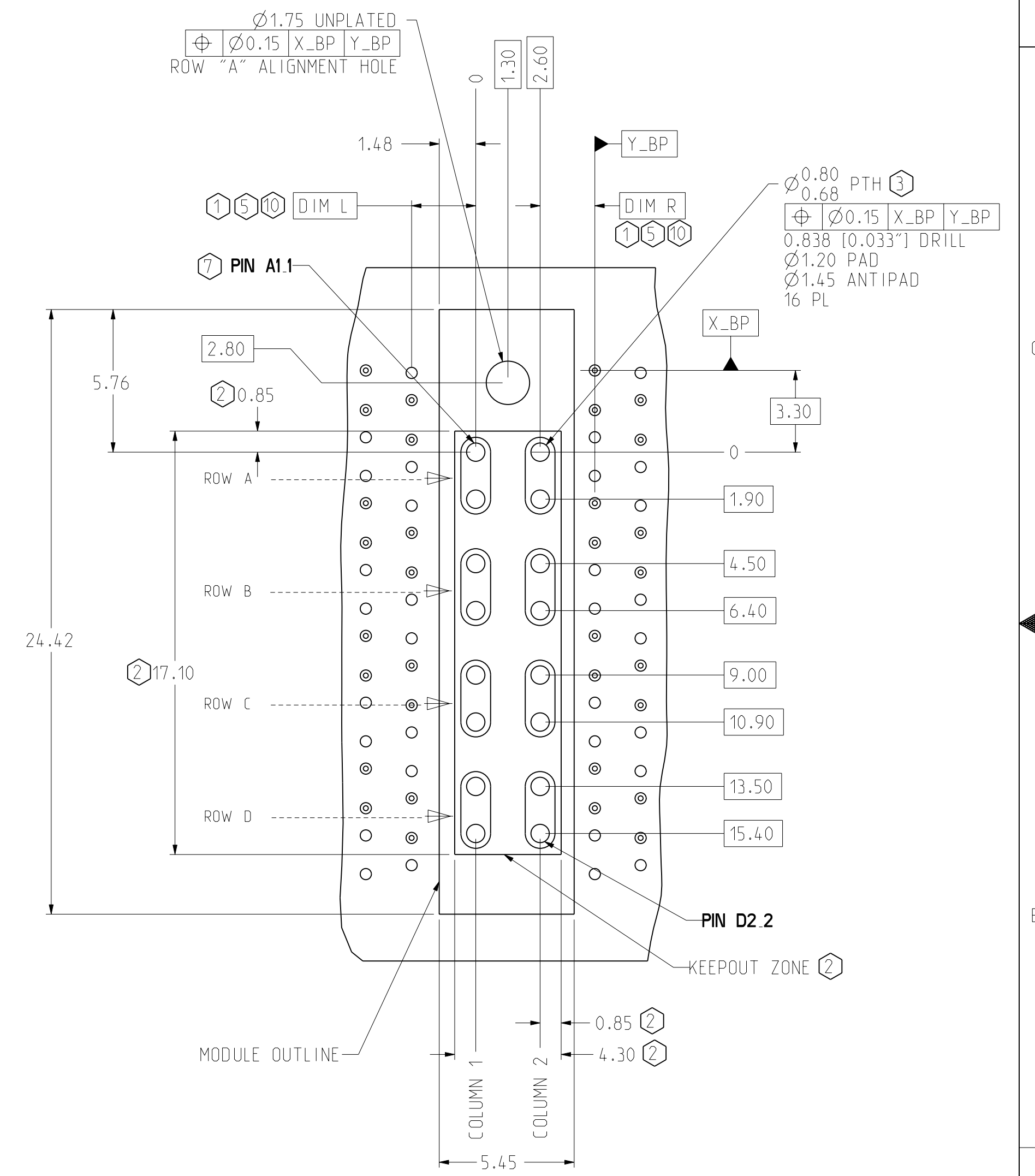
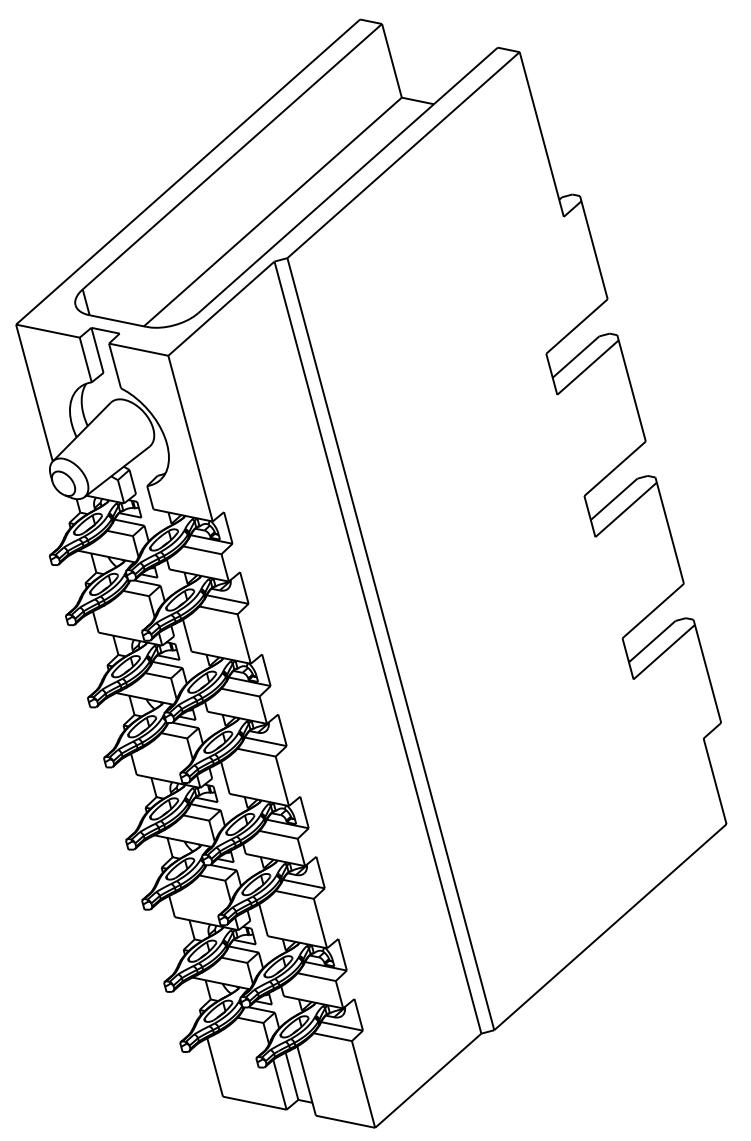
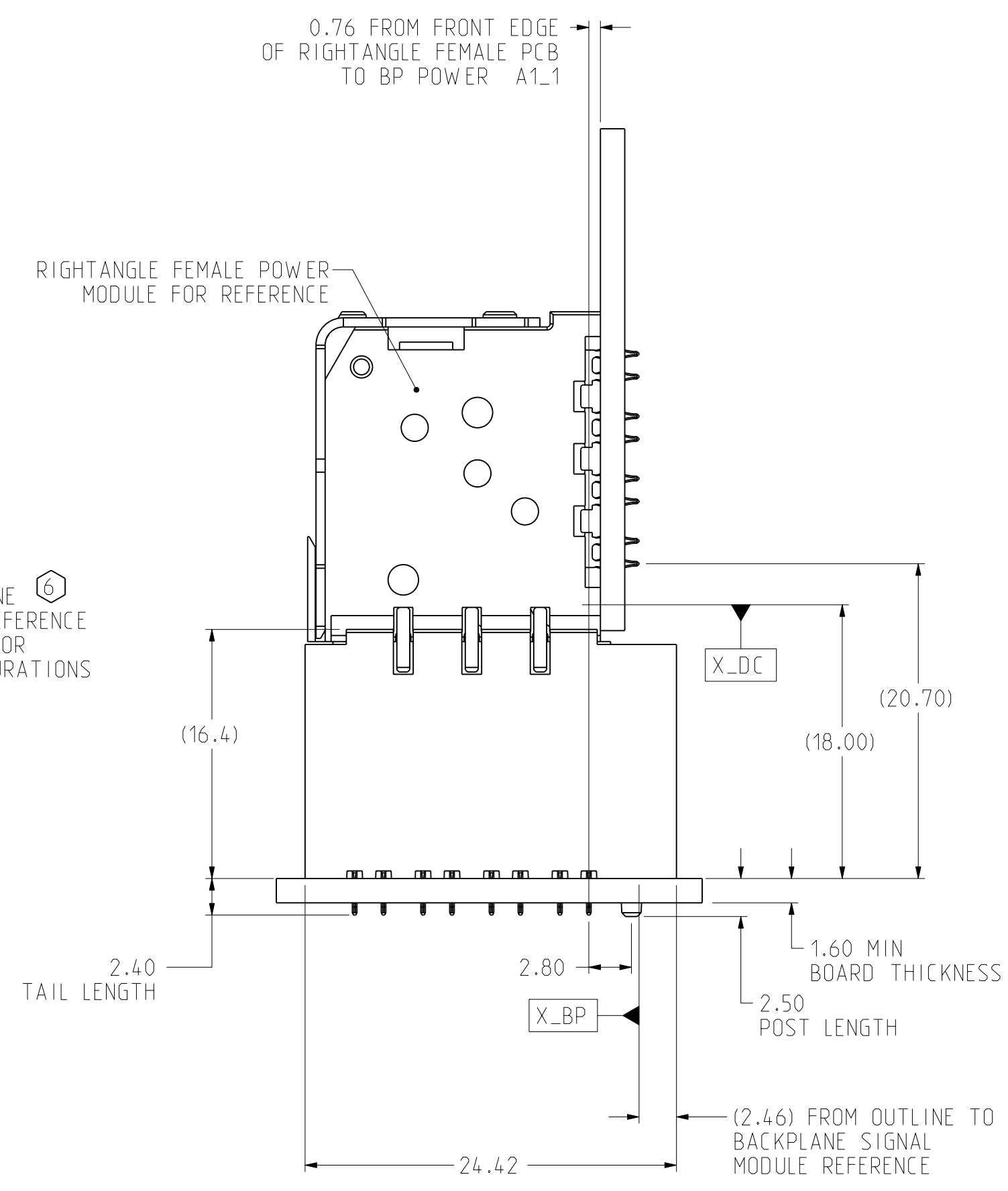
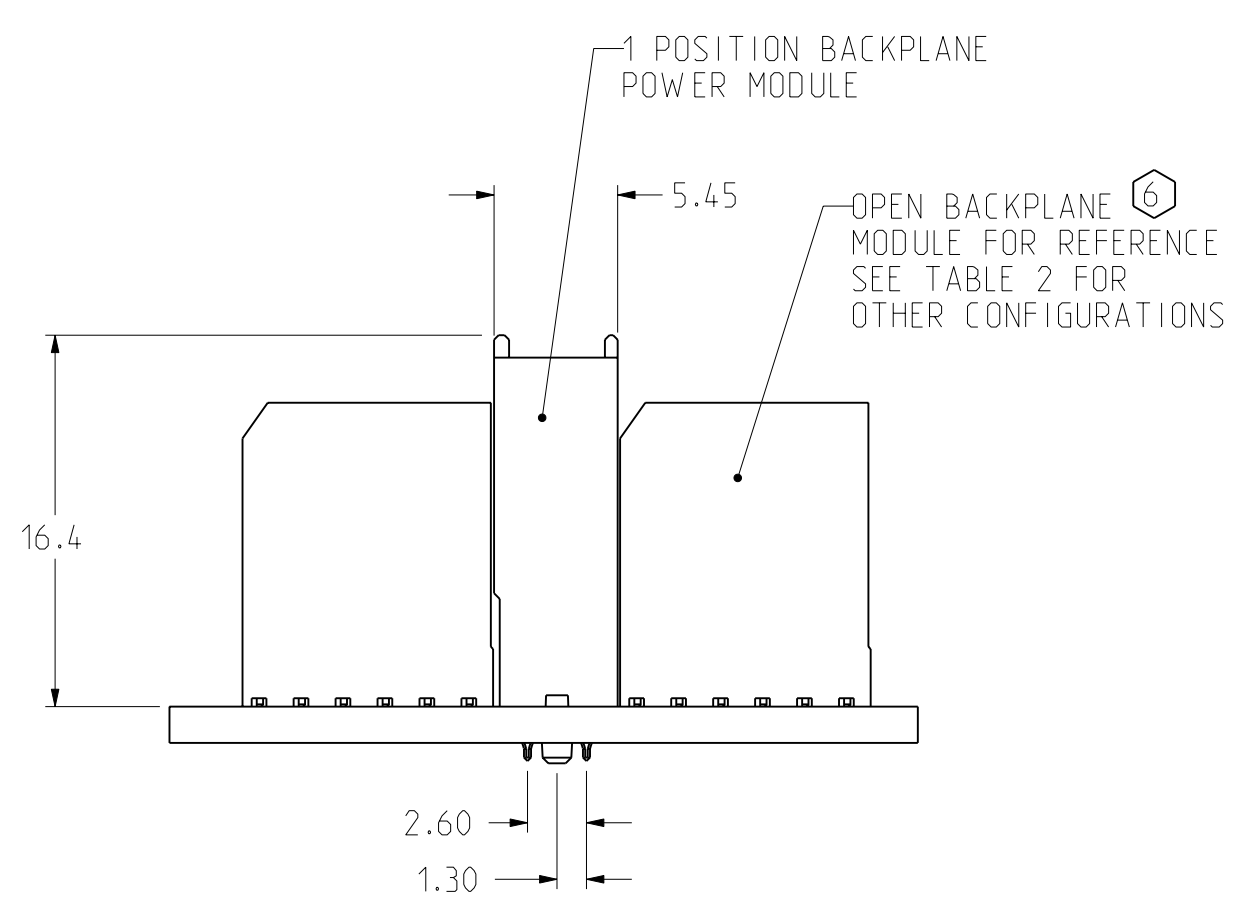
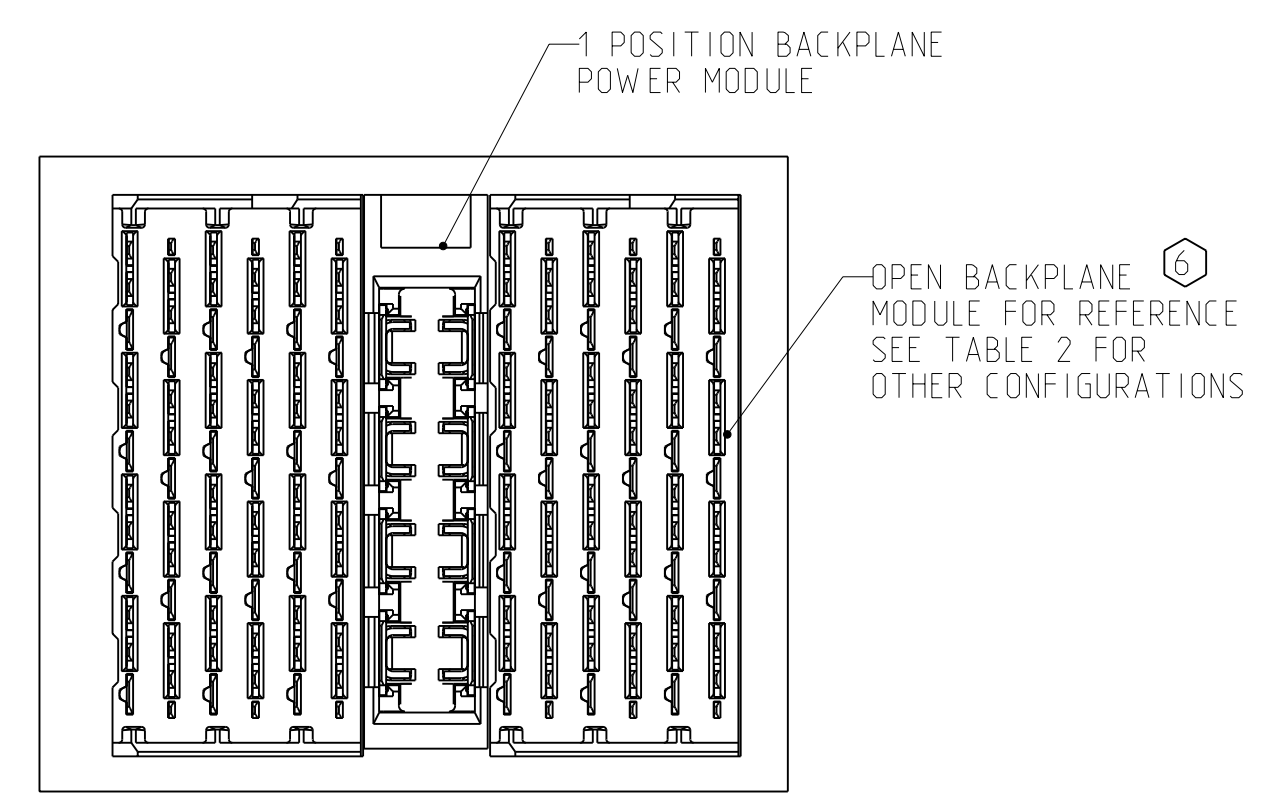


ZONE	REV	SCR NUMBER	DESCRIPTION	BY	DATE	APPROVED
ALL	A	AASY-83VMAF.VER04	NEW RELEASE	HCL-GM	02/09/2009	D.SMITH



**TABLE 2**

CONFIGURATION	DIM L	DIM R
OPEN	2.59	2.21
LEFT POLARIZED	2.59	9.61
RIGHT POLARIZED	9.99	2.21
LEFT WALL	2.59	4.06
RIGHT WALL	4.44	2.21
TWO WALL	4.44	4.06



**RECOMMENDED BACKPLANE POWER 1 POSITION HOLE PATTERN**  
SCALE 6/1

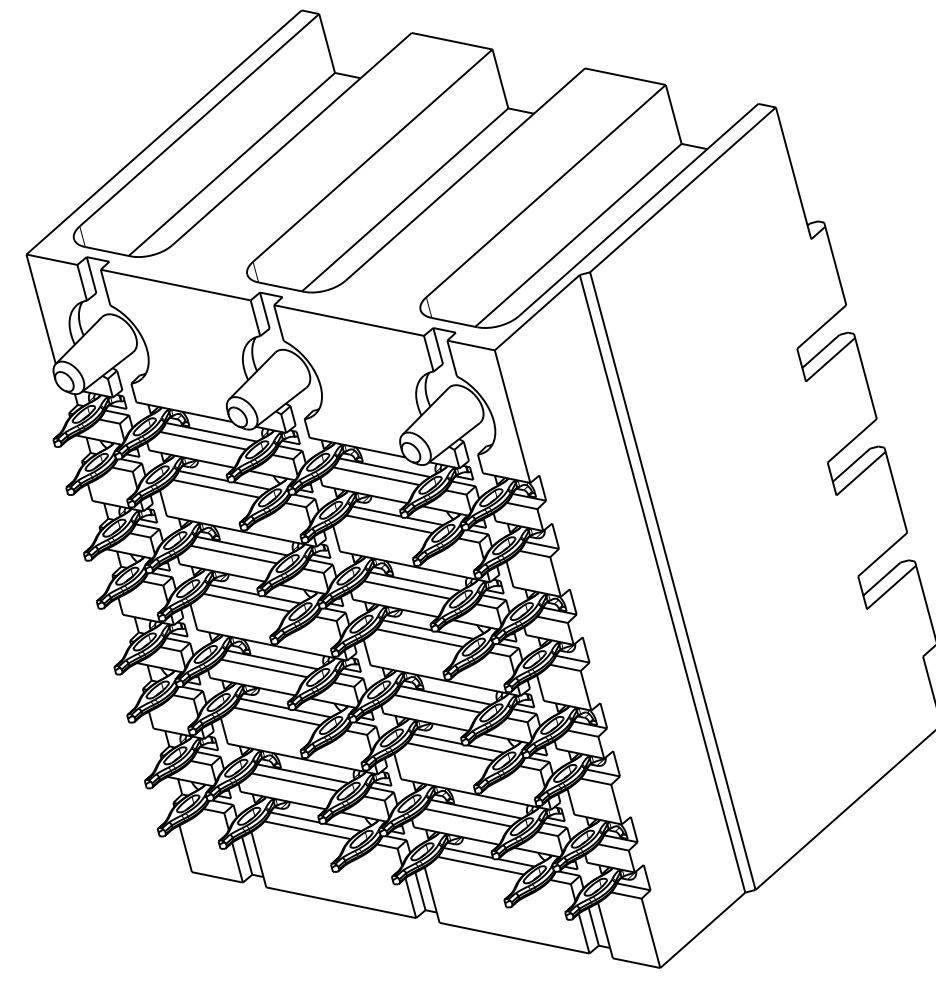
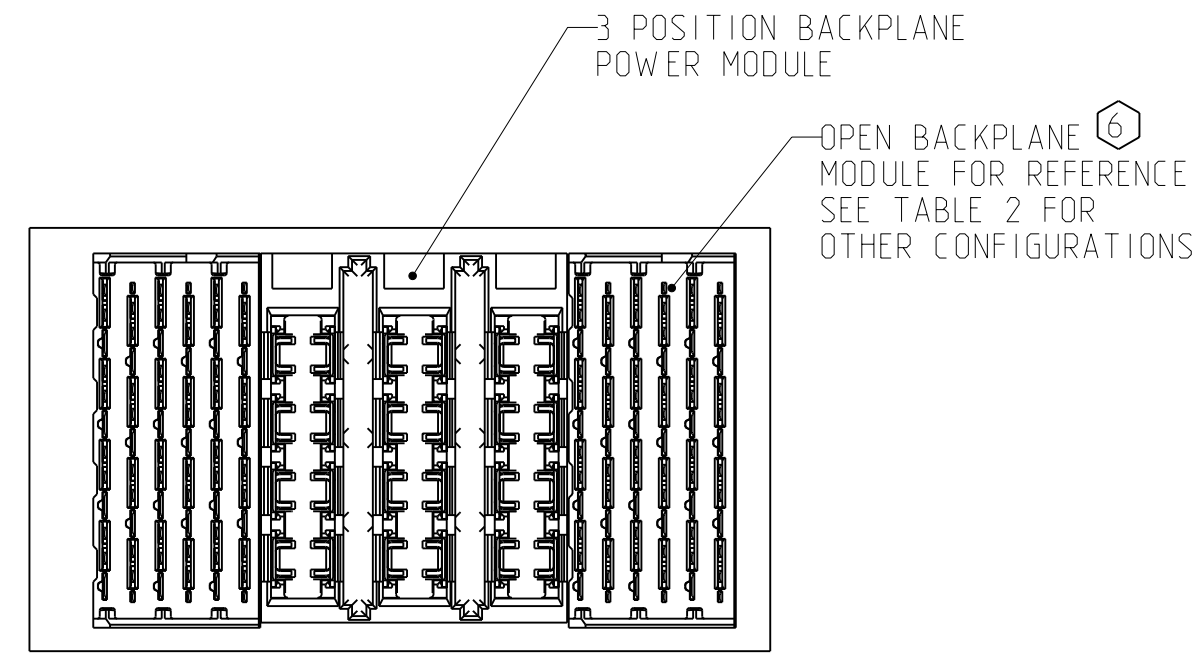
- NOTES**
- FOR EACH ADDITIONAL POWER MODULE, ADD 5.55mm FOR 1 POSITION MODULES, 12.95mm FOR 2 POSITION MODULES, OR 20.35mm FOR 3 POSITION MODULES.
  - NO SURFACE TRACES IN KEEP OUT ZONE.
  - STATED PAD SIZE MAY REQUIRE FILLETING. SEE TB-2149 FOR ROUTING GUIDELINES.
  - REFER TO TB-2150 FOR XCEDE PRODUCT SPECIFICATIONS.
  - WHEN USING ENDCAPS BETWEEN SIGNAL WAFERS AND DC POWER MODULES ADD 1.85mm FOR EACH ENDCAP. VIEW SHOWN WITHOUT ENDCAPS. FOR ENDCAPS THAT ARE USED BETWEEN DC POWER MODULES AND DO NOT PLUG INTO A MULTI-UP BP POWER MODULE, ADD 1.85mm FOR EACH ENDCAP.
  - REFER TO BP CUSTOMER USE DRAWINGS FOR ROW AND COLUMN ASSIGNMENTS.
  - BLADE POSITION A# CONTAINS PINS A#\_1 AND A#\_2.
  - 2 POSITION AND 3 POSITION MODULES WILL ACCEPT DC ENDCAPS BETWEEN DC POWER MODULES WITH NO ADDITIONAL SPACING REQUIRED.
  - IF THE 5TH DIGIT OF THE PART NUMBER IS N, L, 7 OR 8, INDICATING A CUSTOM PART NUMBER, DIGITS 6 THROUGH 10 ARE NOT SIGNIFICANT, AND DO NOT FOLLOW THE PARADIGM IN THIS TABLE.
  - SEE TABLE 2 FOR OFFSET DIMENSION FOR ADJACENT SIGNAL COLUMN OF ALL CONFIGURATIONS.

TOLERANCES	DESIGN 09/07/2006 LEIGHTON	<b>Amphenol TCS</b> A Division of Amphenol Corporation 200 Innovative Way, Nashua, NH 03062 603.879.3000	TITLE	BACKPLANE POWER ASSEMBLY XCede 4 PAIR STANDARD PROFILE HEIGHT	REV	N/A	
0.0 ±0.25	DRAWN 09/08/2006 C.LEIGHTON		PART NO.	SEE TABLE 1	REV	A	
0.00 ±0.13	CHK 09/09/2006 LEIGHTON		DRAWING NO.	C958-4900-500	PRO/E TYPE	01149-CONNECTOR4-POWER-2UP	1.1
0.000 ± -	APVD 09/10/2006 A.PFAHNL		PRO/E DRAWING	C958-4900-500			A.O.
ANGLES ± 3°	UNLESS OTHERWISE SPECIFIED DIMENSIONS ARE IN MM. DECIMAL MARKER IS A PERIOD.	<b>CUSTOMER USE DRAWING</b>		SIZE	D	SHEET 1 OF 2	
INTERPRET PER ASME Y14.5M CODE IDENT 31413		SCALE	3/1				

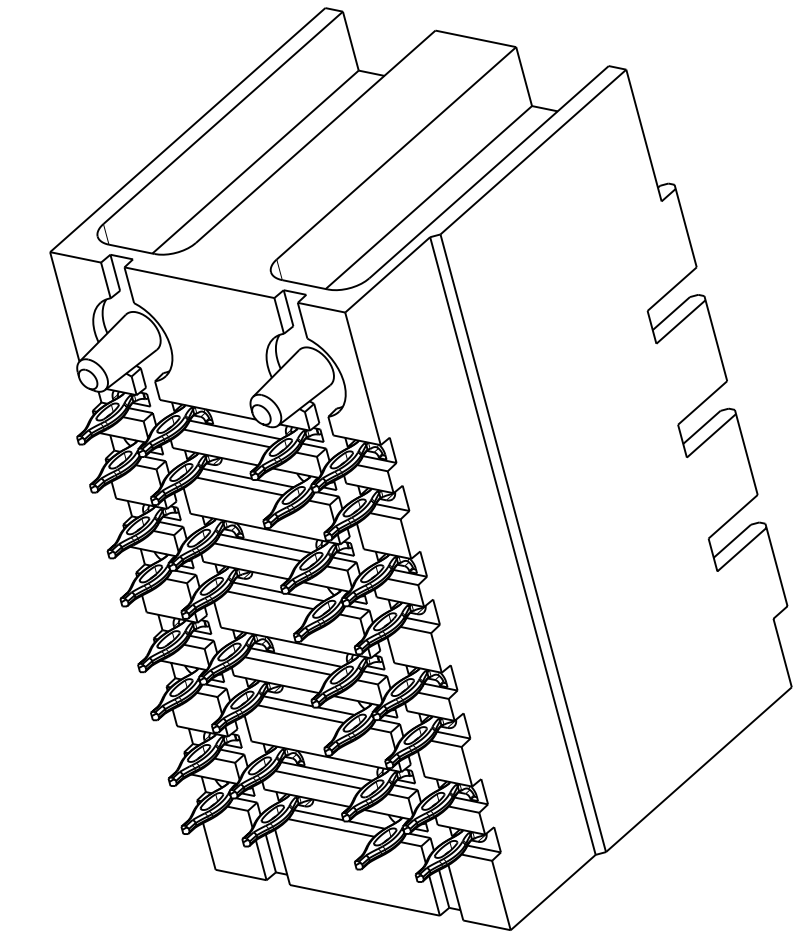
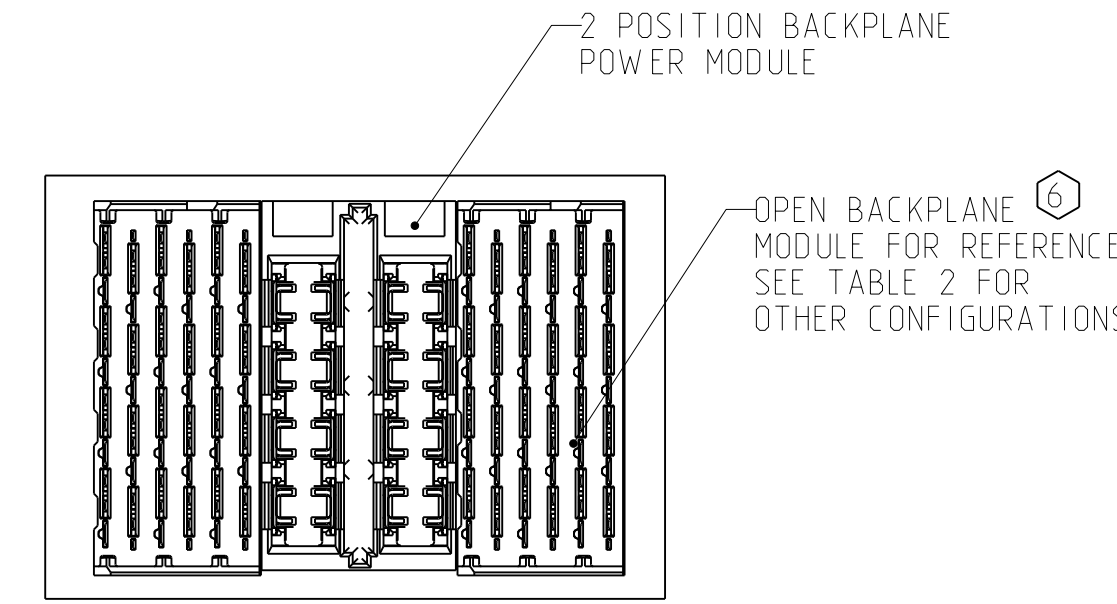
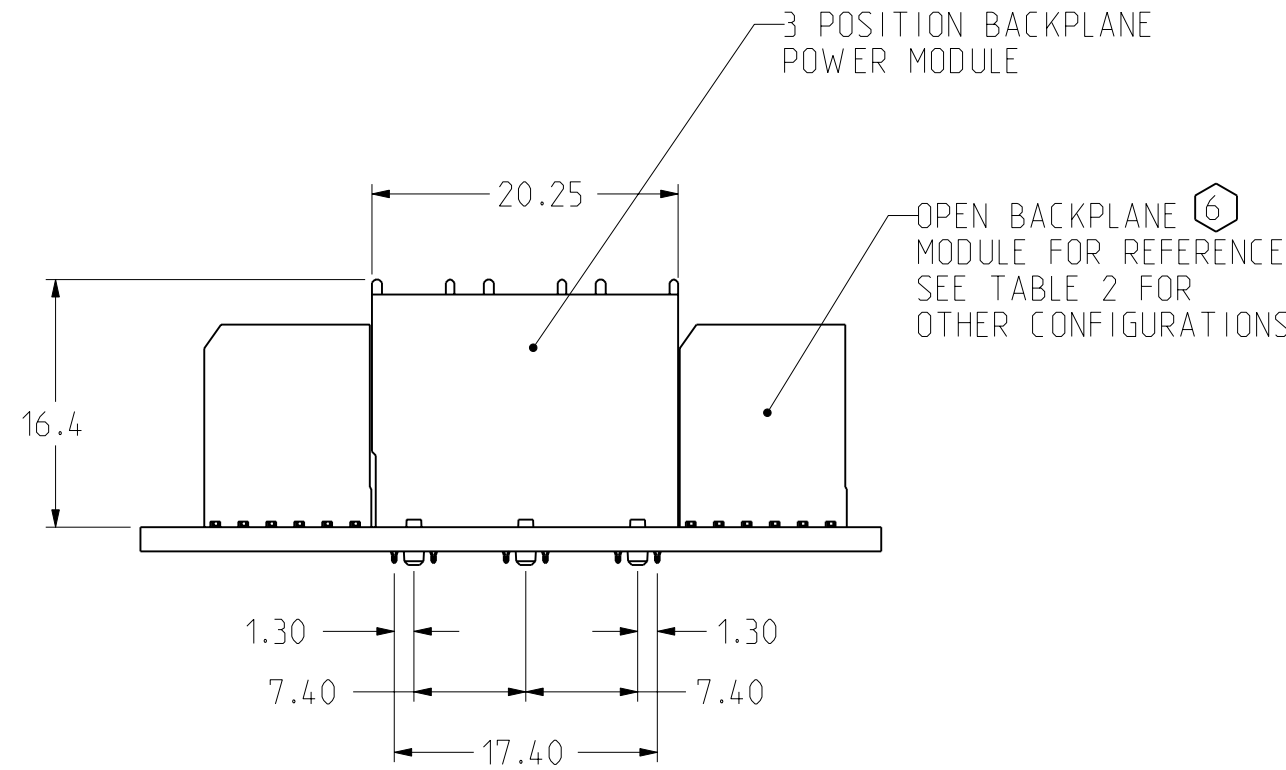
C958-4900-500

SH 1 REV A

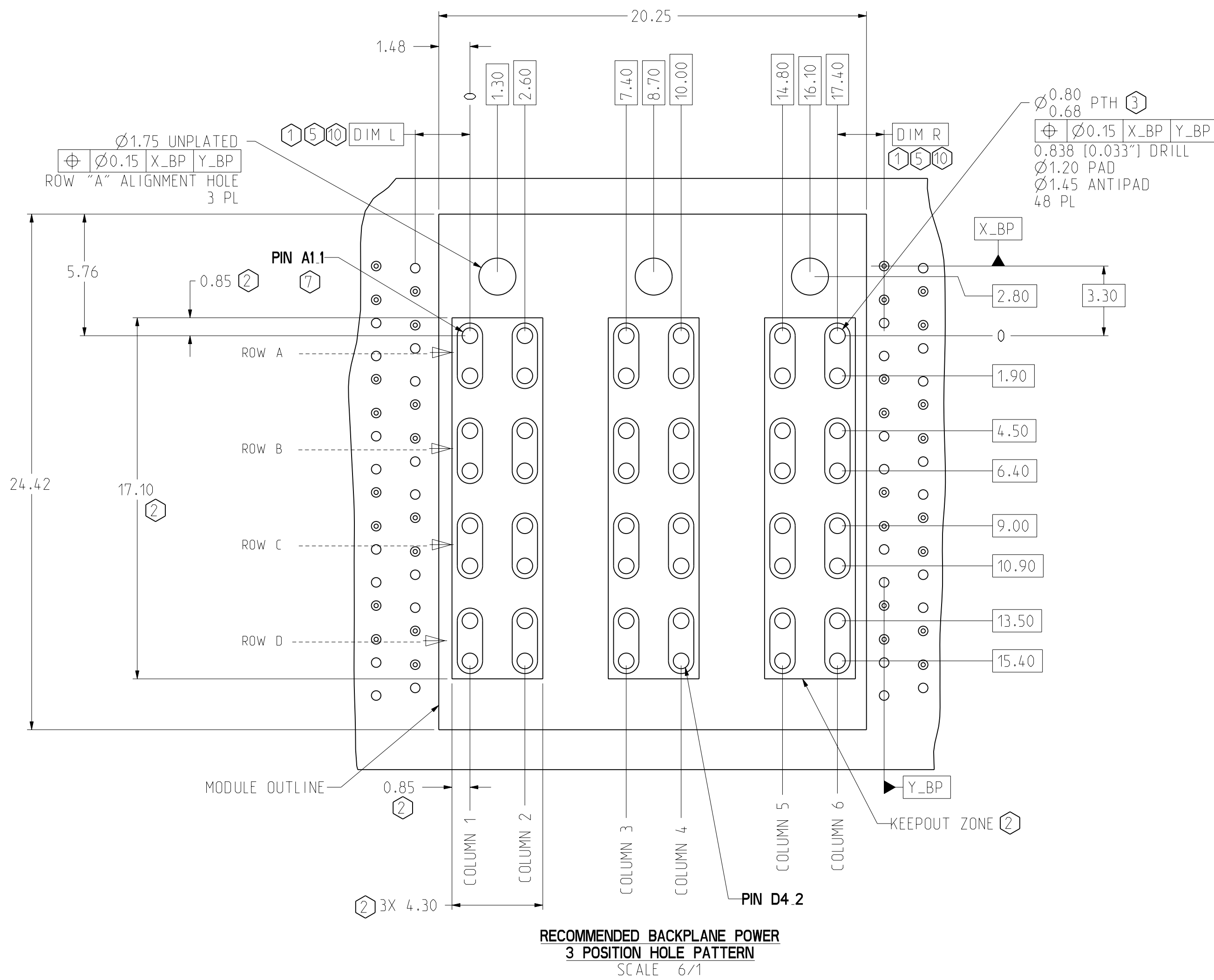
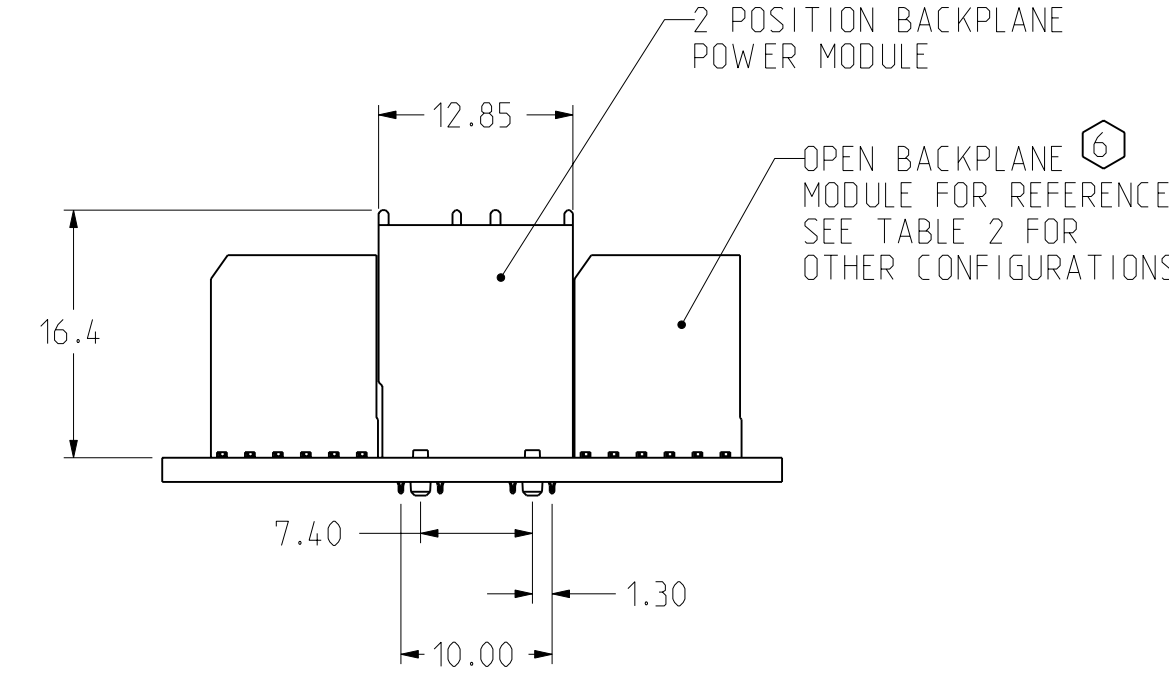
ZONE	REV	SCR NUMBER	DESCRIPTION	BY	DATE	APPROVED
			SEE SHEET 1			



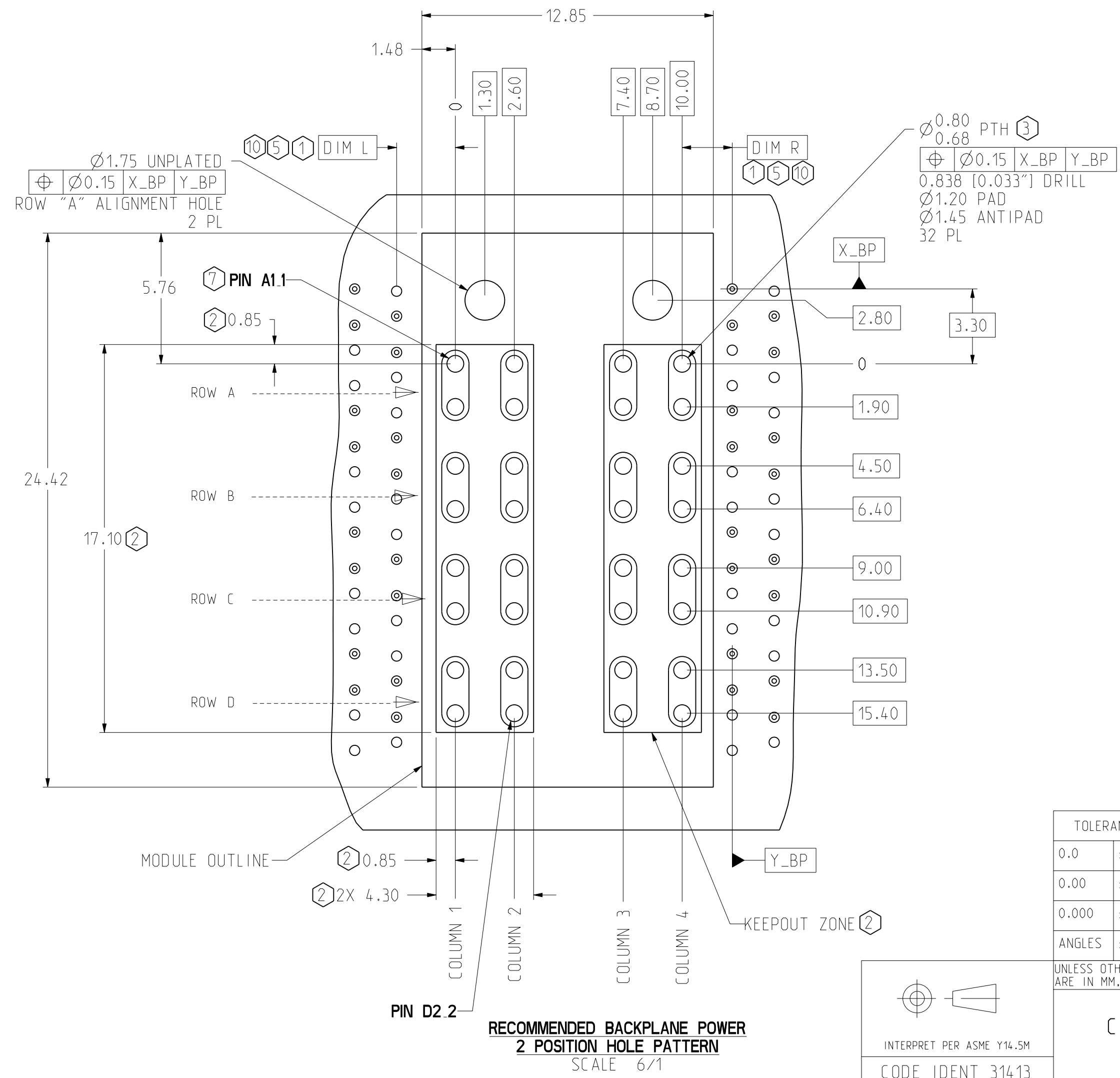
ISOMETRIC VIEW  
3 POSITION  
SCALE 4/1



ISOMETRIC VIEW  
2 POSITION  
SCALE 4/1



RECOMMENDED BACKPLANE POWER  
3 POSITION HOLE PATTERN  
SCALE 6/1



RECOMMENDED BACKPLANE POWER  
2 POSITION HOLE PATTERN  
SCALE 6/1

TOLERANCES	DESIGN 09/07/2006 LEIGHTON	<b>Amphenol TCS</b> A Division of Amphenol Corporation 200 Innovative Way, Nashua, NH 03062 803.879.3000	TITLE	BACKPLANE POWER ASSEMBLY Xcde 4 PAIR STANDARD PROFILE HEIGHT	REV	N/A
0.0 ±0.25	DRAWN 09/08/2006 C. LEIGHTON		PART NO.	SEE TABLE 1	REV	A
0.00 ±0.13	CHK 09/09/2006 LEIGHTON		DRAWING NO.	C958-4900-500	PROJ	01149-CONNECTOR4-POWER-2UP
0.000 ± -	APVD 09/10/2006 A. PFAHNL		PROJ	C958-4900-500	SCALE	2/1
ANGLES ± 3°	UNLESS OTHERWISE SPECIFIED DIMENSIONS ARE IN MM. DECIMAL MARKER IS A PERIOD.	CUSTOMER USE DRAWING		SIZE	D	SHEET 2 OF 2

INTERPRET PER ASME Y14.5M  
CODE IDENT 31413

C958-4900-500

SH 2 REV A