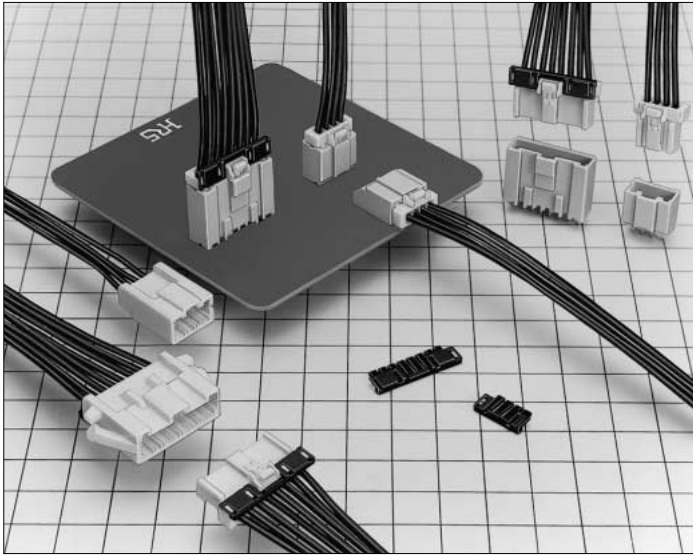
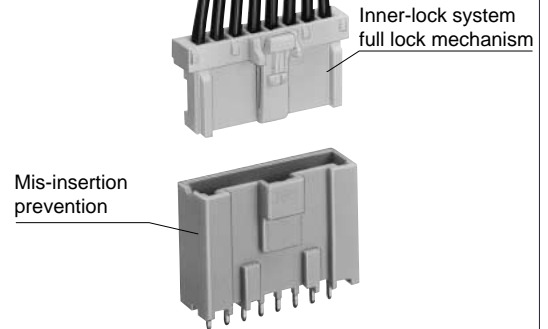


# 2.5mm Pitch connector for full lock and discrete wire connection

## DF1E Series



### Full lock function added



## ■ Features

### 1. Full lock function added

The inner lock system adopts a full lock mechanism. This mechanism prevents disengagement to occur due to an unexpected external shock.

### 2. Increase in crimping contact fixation force and semi-insertion prevention

The double lock is activated for the use method to give a stress to the cable, to increase crimping contact fixation force, and to prevent the semi-insertion of the crimping contact.

### 3. Mold lance adopted

Since the contact lance may be deformed involving in the contact after the crimping process, the mold lance has been adopted.

### 4. Mis-insertion prevention

Equipped with the mechanism to completely prevent reverse insertion and insertion between dissimilar contacts.

### 5. Means to prevent solder crack

The glass enforcement resin is adopted for the pin header to prevent a solder crack to occur due to heat compression.

### 6. Correspond to potting

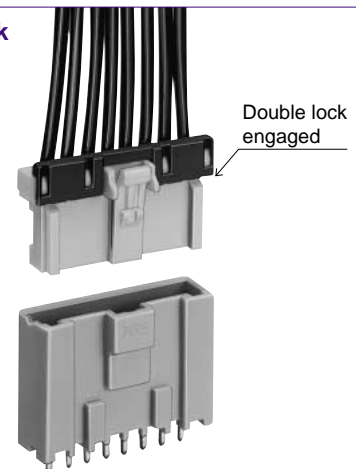
Corresponding to potting, the pin header is provided for product variations.

Corresponding to potting up to 8mm and mounting height 19.8mm (no retainer), the low profile is achieved.

### 7. Production facility cost reduction

The female crimping contact uses the DF1B series crimping contact, which has been conventionally marketed. Investment for new facilities isn't needed. However, if the retainer is installed in the cable with AWG#22 or more wire, use the DF1E crimping contact. The female crimping contact for in-line is used together with the DF1B applicator. Therefore, no investment is needed for new facilities.

### Double lock engaged



### 8. Correspond to automatic insertion machine

The radial tape packaging is provided for 2 to 8 contacts on the straight pin header side, in order to correspond to mass production.

### 9. Various applications

With the same series, various applications can be used for the board solder dip type and in-line.

## ■ Applications

Electronic equipment, office machines, industrial equipment, and consumer equipment, and so on

## ■Products specifications

Rating	Rated current note 1. AWG#20~24 : 3A 26 : 2A 28 : 1A 30 : 0.5A Rated voltage AC250V	Operating temperature range -35~+85°C Note 2. Operating moisture range 40~80%	Storage temperature range -10~+60°C note 3. Storage moisture range 40~70%

Item	Specification	Condition
1. Contact resistance	30mΩ max.	Measured at 20mV max. and 1mA
2. Insulation resistance	1000MΩ min.	Measured at 500V DC
3. Withstand voltage	Neither short or breakdown	150V AC energized for 1 minute
4. Single insertion/extraction force	MIN 0.4N, MAX 4.4N	Measured at the square steel pin with 0.635±0.002
5. Operating life	30mΩ max	30 cycles of insertions/extractions
6. Vibration	Electrical discontinuity, 1μS max.	10~55Hz and single amplitude 0.75mm in 3 directions for 2 hours, respectively.
7. Shock	Electrical discontinuity, 1μS max.	490m/s and 11ms, sin/cosine 3 directions, 3 times, respectively
8. Moisture resistance	30mΩ max	Exposed to temperature 40±2°C and humidity 90~95% for 96 hours
9. Temperature cycle	30mΩ max.	(-55°C: 30 minutes-> 5~35°C: 5 minutes-> 85°C: 30 minutes-> 5~35°C: 5 minutes) 5 cycles
10. Resistance to soldering heat	Neither deformation on the appearance nor remarkable contact backlash is found.	Reflow: 250°C: 20 seconds Manual soldering: soldering iron temperature: 300°C for 3 seconds

Note 1 : Temperature rise included when energized

Note 2 : This storage indicates a long-term storage state for the unused product before the board mounted.

The operating temperature and moisture ranges are applied to the non-energized state after the connector has been installed to the board.

Note 3 : The above standards represent this series. Individual formal agreement should be based on the "Specification".

## ■Material

Product	Part	Material	Treatment	Remarks
Socket	Insulator	Polyamide	White	UL94V-0
Header	Insulator	Polyamide	Beige	UL94V-0
	Contact	Brass	Solder plating	————
In-line Plug	Insulator	Polyamide	White	UL94V-0
retainer	Insulator	Polyamide	Black	UL94V-0
Crimping contact	Contact	Phosphor copper	Tin plating	————

Note : The whisker method is implemented for HRS tin plating.

## Ordering information

### Pin header

**DF** **1E** **C** - ※ **P** - **2.5** **DSA**  
q w e r t y u

<b>q</b> Series name : DF	<b>r</b> Number of Contacts : 2 to 15 contacts												
<b>w</b> Series No. : 1E	<b>t</b> Connector Type P : Pin Header												
<b>e</b> Hold Types	<b>y</b> Contact Pitch : 2.5mm												
<table border="1"> <thead> <tr> <th colspan="2">Standard Product</th> <th colspan="2">Potting</th> </tr> </thead> <tbody> <tr> <td></td> <td>With Boss</td> <td></td> <td>With Boss</td> </tr> <tr> <td>C</td> <td>Without Boss</td> <td>G</td> <td>Without Boss</td> </tr> </tbody> </table>	Standard Product		Potting			With Boss		With Boss	C	Without Boss	G	Without Boss	<b>u</b> Form type DSA : Straight Dip DS : Right Angle Type
Standard Product		Potting											
	With Boss		With Boss										
C	Without Boss	G	Without Boss										

Note 1 : The right angle pin header has no symbol.

Note 2 : The potting header has 2 to 10 contacts.

### Socket

**DF** **1E** - ※ **S** - **2.5** **C**  
q w e r t y

<b>q</b> Series name : DF	<b>r</b> Connector type S: Socket
<b>w</b> Series No. : 1E	<b>t</b> Contact Pitch : 2.5mm
<b>e</b> Number of Contacts : 2 to 15 contacts	<b>y</b> Form Type C : Crimping socket

### In-line plug

**DF** **1E** **A** - ※ **EP** - **2.5** **C**  
q w e r t y u

<b>q</b> Series name : DF	<b>r</b> Number of Contacts : 2 to 10 contacts
<b>w</b> Series No. : 1E	<b>t</b> EP : In-line plug
<b>e</b> In-line Plug type None: With Panel mount Lock A : Without Panel mount Lock	<b>y</b> Contact Pitch : 2.5mm <b>u</b> Form Type C : Crimping socket

### Crimping contact

**DF** **1E** - ※※ **SCF**  
q w e r

<b>q</b> Series name : DF	<b>e</b> Applicable Cable Size 2022 : AWG#20~#22 2428 : WG#24~#28 30 : AWG#30
<b>w</b> Series No. : Socket side : 1B (Note 1) 1E (Note 1) Plug side : 1E	<b>r</b> Packaging Type SCF : Female contact : Reel SF : Female contact : Bag PCF : Male contact : Reel PC : Male contact : Bag

Note 1 : When the retainer is used, use DF1E-2022SC(F), DF1B-2428SC(F), and DF1B-30SC(F) contacts.

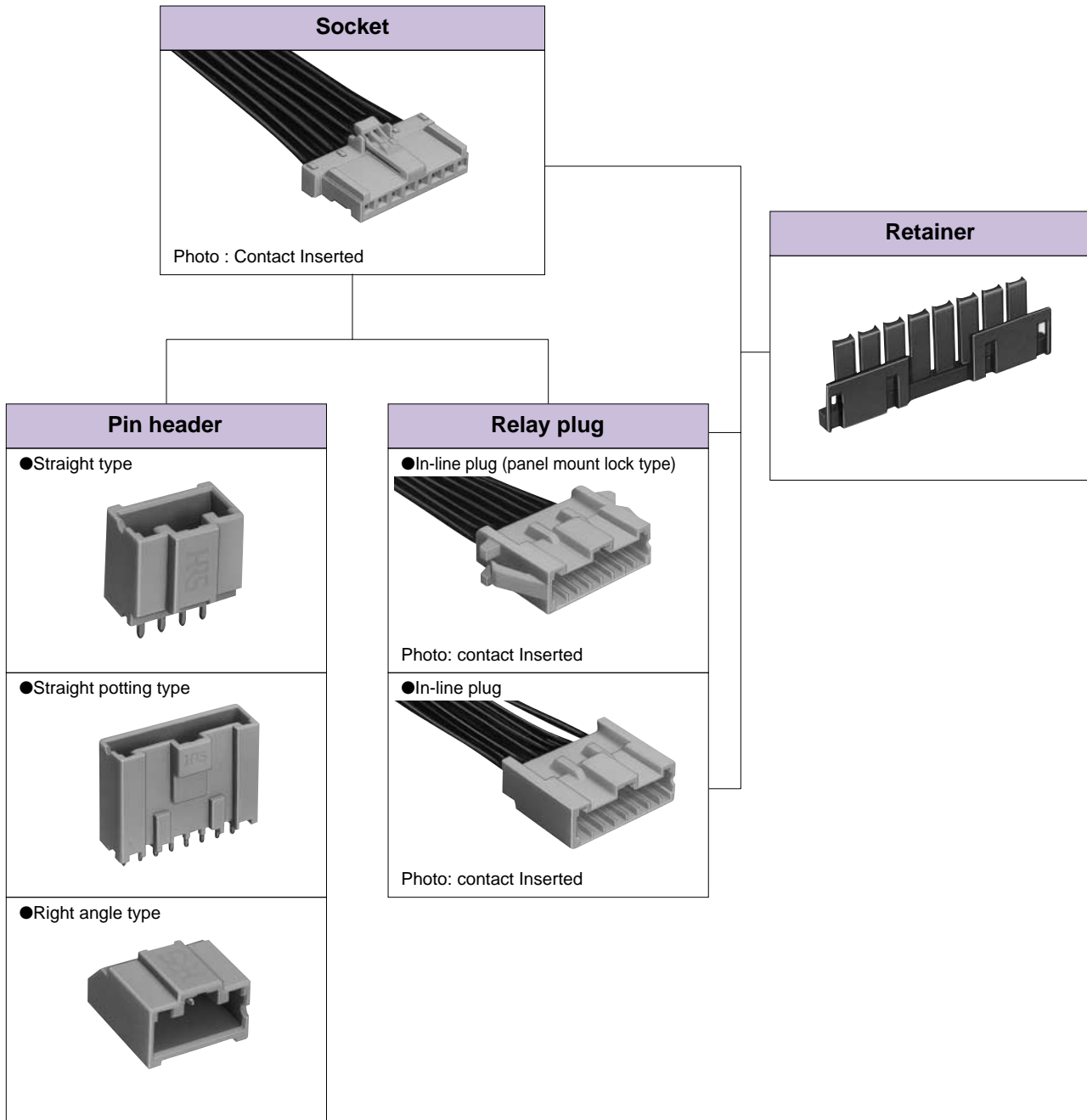
When no retainer is used, all DF1B-※※SC(F) and DF1E-2022SC(F) contacts can be used.

### Retainer

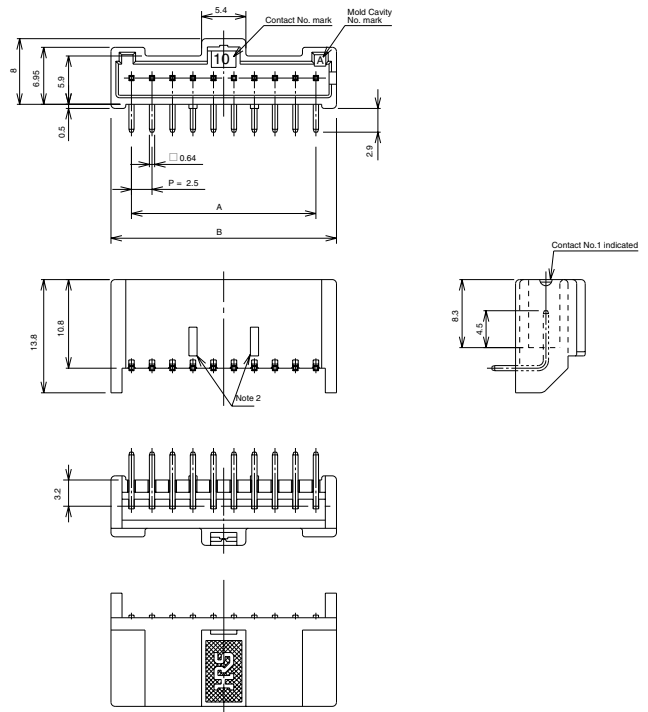
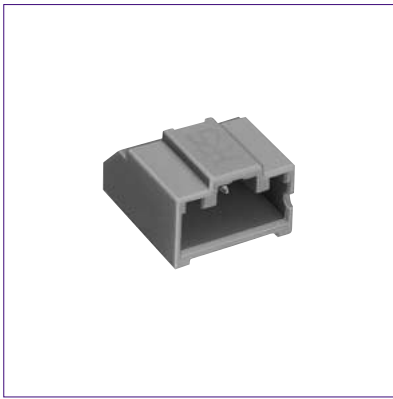
**DF** **1E** - ※ **RS/P** - **2.5**  
q w e r t

<b>q</b> Series name : DF	<b>r</b> Connector Type RS/P : Retainer
<b>w</b> Series No. : 1E	Commonly used for socket and in-line plug
<b>e</b> Number of Contacts : 2 to 10 contacts	<b>t</b> Contacts Pitch:2.5mm

## Application pattern



## Right angle pin header



Product No.	HRS No.	Number of Contacts	A	B
DF1E – 2P–2.5DS(※※)	CL541 – 0985– 0 –※※	2	2.5	7.5
DF1E – 3P–2.5DS(※※)	CL541 – 0986– 3 –※※	3	5.0	10.0
DF1E – 4P–2.5DS(※※)	CL541 – 0987– 6 –※※	4	7.5	12.5
DF1E – 5P–2.5DS(※※)	CL541 – 0988– 9 –※※	5	10.0	15.0
DF1E – 6P–2.5DS(※※)	CL541 – 0989– 1 –※※	6	12.5	17.5
DF1E – 7P–2.5DS(※※)	CL541 – 0990– 0 –※※	7	15.0	20.0
DF1E – 8P–2.5DS(※※)	CL541 – 0991– 3 –※※	8	17.5	22.5
DF1E – 9P–2.5DS(※※)	CL541 – 0992– 6 –※※	9	20.0	25.0
DF1E –10P–2.5DS(※※)	CL541 – 0993– 9 –※※	10	22.5	27.5
DF1E –11P–2.5DS(※※)	CL541 – 0994– 1 –※※	11	25.0	30.0
DF1E –12P–2.5DS(※※)	CL541 – 0995– 4 –※※	12	27.5	32.5
DF1E –13P–2.5DS(※※)	CL541 – 0996– 7 –※※	13	30.0	35.0
DF1E –14P–2.5DS(※※)	CL541 – 0997– 0 –※※	14	32.5	37.5
DF1E –15P–2.5DS(※※)	CL541 – 0998– 2 –※※	15	35.0	40.0

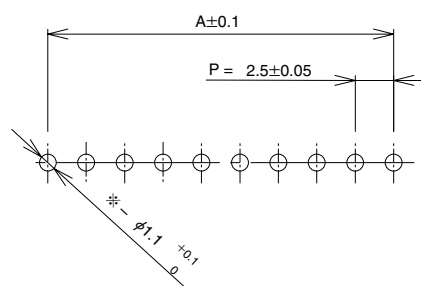
The symbol ※※ included in HRS No. and the product spec No. indicates the Specific No.

Note 1. : A packaging quantity is delivered by the bag unit (100 pcs.). If needed, please order the products per bag. However, the quantity for delivery will be changed according to the Specific No.

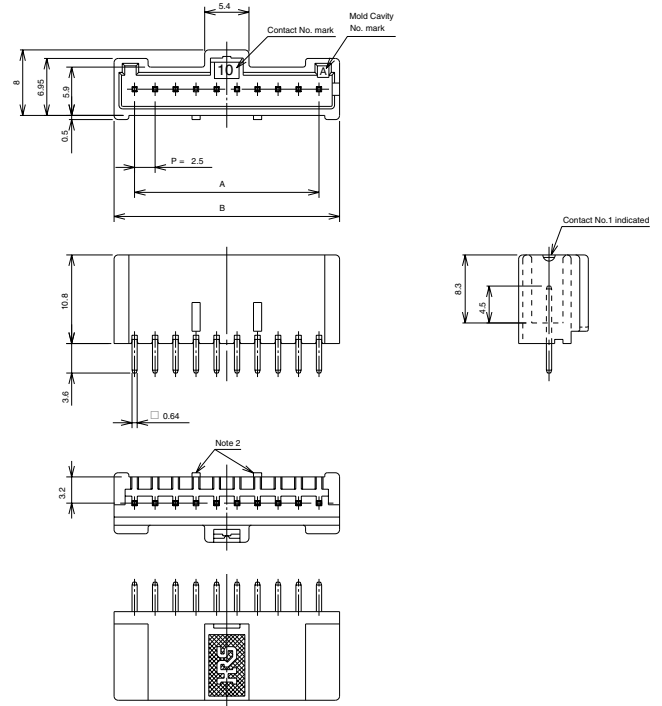
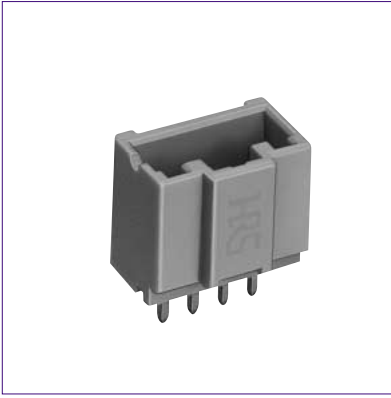
Note 2. : The 2 to 4 contacts differ in two convex portions from those in above figures. The 2 and 3 contacts are not contained, but the 4 contact connector is contained in the center at one point.

Note 3. : Styles of 2 to 4 contact connectors partially differ from those in above figures.

## PCB footprints (board thickness $t = 1.6 \pm 0.1$ )



## ■ Straight pin header



Product No.	HRS No.	Number of Contacts	A	B
DF1EC- 2P-2.5DSA(※※)	CL541- 0867- 4 -※※	2	2.5	7.5
DF1EC- 3P-2.5DSA(※※)	CL541- 0868- 7 -※※	3	5.0	10.0
DF1EC- 4P-2.5DSA(※※)	CL541- 0869- 0 -※※	4	7.5	12.5
DF1EC- 5P-2.5DSA(※※)	CL541- 0870- 9 -※※	5	10.0	15.0
DF1EC- 6P-2.5DSA(※※)	CL541- 0871- 1 -※※	6	12.5	17.5
DF1EC- 7P-2.5DSA(※※)	CL541- 0872- 4 -※※	7	15.0	20.0
DF1EC- 8P-2.5DSA(※※)	CL541- 0873- 7 -※※	8	17.5	22.5
DF1EC- 9P-2.5DSA(※※)	CL541- 0874- 0 -※※	9	20.0	25.0
DF1EC-10P-2.5DSA(※※)	CL541- 0875- 2 -※※	10	22.5	27.5
DF1EC-11P-2.5DSA(※※)	CL541- 0876- 5 -※※	11	25.0	30.0
DF1EC-12P-2.5DSA(※※)	CL541- 0877- 8 -※※	12	27.5	32.5
DF1EC-13P-2.5DSA(※※)	CL541- 0878- 0 -※※	13	30.0	35.0
DF1EC-14P-2.5DSA(※※)	CL541- 0879- 3 -※※	14	32.5	37.5
DF1EC-15P-2.5DSA(※※)	CL541- 0880- 2 -※※	15	35.0	40.0

The symbol ※※ included in HRS No. and the product spec No. indicates the Specific No.

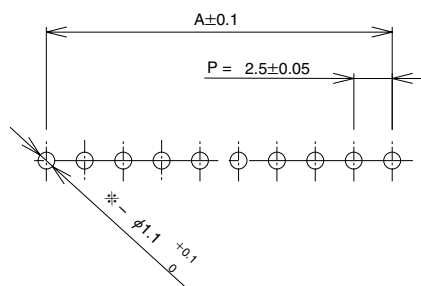
Note 1. : A packaging quantity is delivered by the bag unit (100 pcs.). If needed, please order the products per bag. However, the quantity for delivery will be changed according to the Specific No.

Note 2. : The 2 to 4 contacts differ in two convex portions from those in above figures. The 2 and 3 contacts are not contained, but the 2 and 3 contacts are not contained, and 4 contact is in the center at one point.

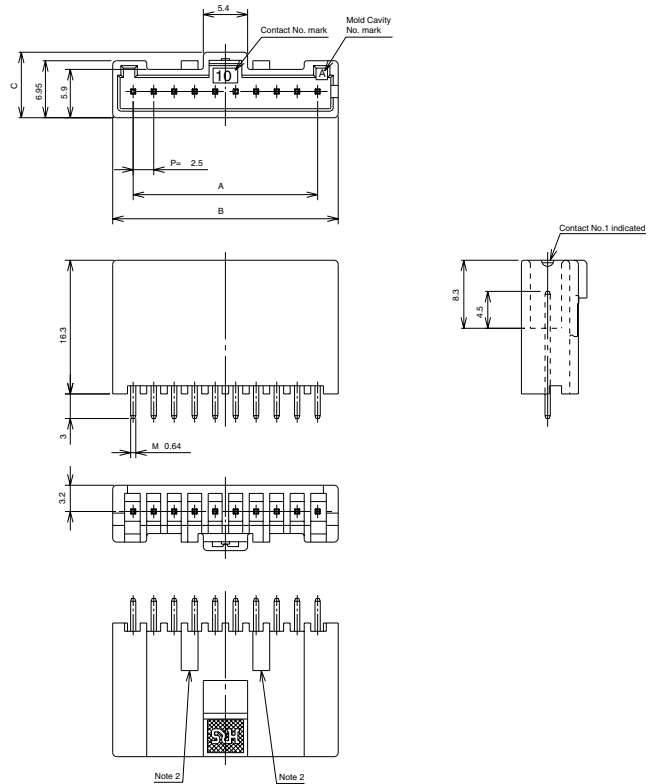
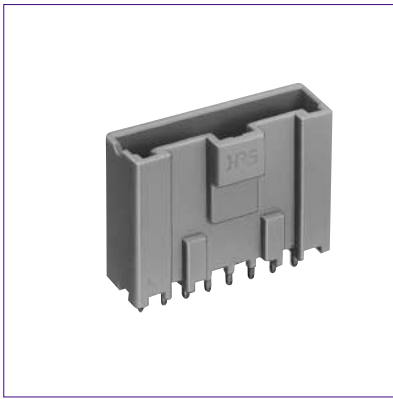
Note 3. : Styles of 2 to 4 contacts partially differ from those in above figures.

Note 4. : The radial package is prepared for DF1EC-※P-2.5DSA(25). However, 2 to 8 contacts only are provided. (Quantity of packaged 2 and 3 contacts: 1000pcs., 4 to 8 contacts: 400pcs.)

## ◆ PCB footprints (board thickness $t = 1.6 \pm 0.1$ )



## ■Straight pin header for potting



Product No.	HRS No.	Number of Contacts	A	B	C
DF1EG – 2P–2.5DSA(※※)	CL541 – 0923 – 3※※	2	2.5	7.5	7.8
DF1EG – 3P–2.5DSA(※※)	CL541 – 0924 – 6※※	3	5.0	10.0	7.8
DF1EG – 4P–2.5DSA(※※)	CL541 – 0925 – 9※※	4	7.5	12.5	7.8
DF1EG – 5P–2.5DSA(※※)	CL541 – 0926 – 1※※	5	10.0	15.0	8.0
DF1EG – 6P–2.5DSA(※※)	CL541 – 0927 – 4※※	6	12.5	17.5	8.0
DF1EG – 7P–2.5DSA(※※)	CL541 – 0928 – 7※※	7	15.0	20.0	8.0
DF1EG – 8P–2.5DSA(※※)	CL541 – 0929 – 0※※	8	17.5	22.5	8.0
DF1EG – 9P–2.5DSA(※※)	CL541 – 0930 – 9※※	9	20.0	25.0	8.0
DF1EG – 10P–2.5DSA(※※)	CL541 – 0931 – 1※※	10	22.5	27.5	8.0
DF1EG – 11P–2.5DSA(※※)	CL541 – 0932 – 4※※	11	25.0	30.0	8.0

The symbol ※※ included in HRS No. and the product spec No. indicates the Specific No.

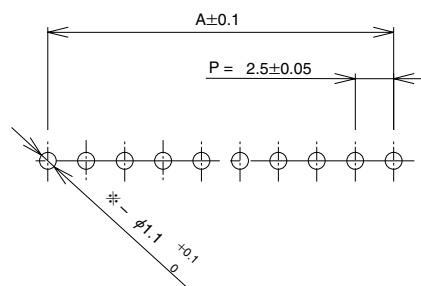
Note 1. : A packaging quantity is delivered by the bag unit (100 pcs.). If needed, please order the product per bag. However, the quantity for delivery will be changed according to spec number.

Note 2. : The 2 to 6 and 9 to 10 contact connectors differ in two convex portions from those in above figures. The 2 to 5 and 9 to 10 contacts are not contained, but the 6 contact is bonded to the convex portion at both ends.

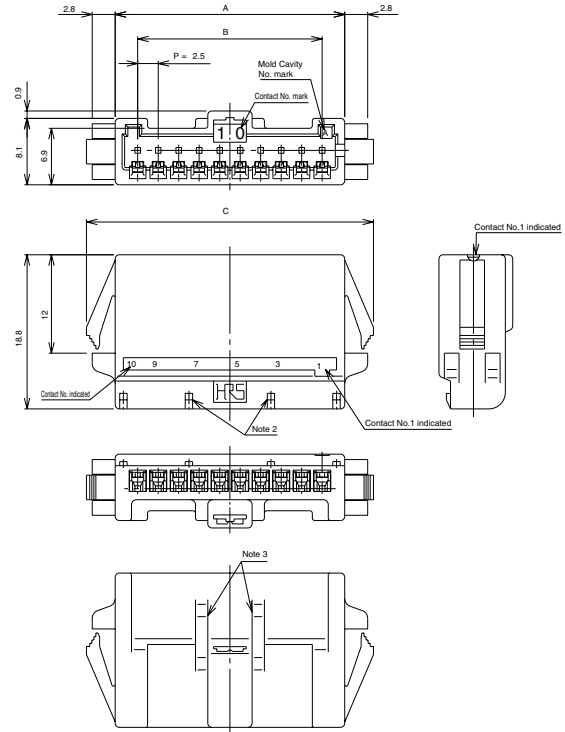
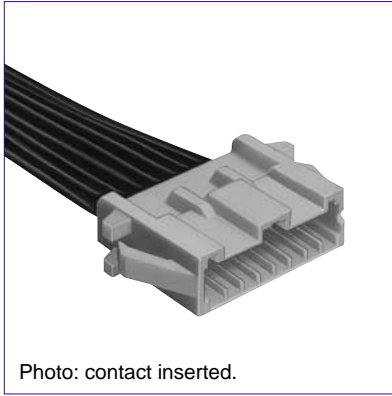
Note 3. : Styles of 2 to 4 contact may partially differ from the above figures.

Note 4. : The radial tape packaging is prepared for DF1EG-※P-2.5DSA(25). However, 2 to 8 contacts are available. (Quantity of packaged 2 and 3 contacts : 1000pcs., 4 to 8 contacts: 400pcs.)

## ◆PCB footprints (board thickness $t = 1.6 \pm 0.1$ )



## ■ In-line plug (panel mount lock type)



Product No.	HRS No.	Number of Contacts	A	B	C	D	E
DF1E- 2EP-2.5C(※※)	CL541- 0943- 0 -※※	2	8.0	2.5	15.0	8.4	12.5
DF1E- 3EP-2.5C(※※)	CL541- 0944- 3 -※※	3	10.5	5.0	17.5	10.9	15.0
DF1E- 4EP-2.5C(※※)	CL541- 0945- 6 -※※	4	13.0	7.5	20.0	13.4	17.5
DF1E- 5EP-2.5C(※※)	CL541- 0946- 9 -※※	5	15.5	10.0	22.5	15.9	20.0
DF1E- 6EP-2.5C(※※)	CL541- 0947- 1 -※※	6	18.0	12.5	25.0	18.4	22.5
DF1E- 7EP-2.5C(※※)	CL541- 0948- 4 -※※	7	20.5	15.0	27.5	20.9	25.0
DF1E- 8EP-2.5C(※※)	CL541- 0949- 7 -※※	8	23.0	17.5	30.0	23.4	27.5
DF1E- 9EP-2.5C(※※)	CL541- 0950- 6 -※※	9	25.5	20.0	32.5	25.9	30.0
DF1E-10EP-2.5C(※※)	CL541- 0951- 9 -※※	10	28.0	22.5	35.0	28.4	32.5

The symbol ※※ included in HRS No. and the product spec No. indicates the Specific No.

Note 1. : A packaging quantity is delivered by the bag unit (100 pcs.). If needed, please order the products per bag. However, the quantity for delivery will be changed according to the Specific No.

Note 2. : In regard to 2 to 5 contacts, the retainer fixed convex portions are located at both ends.

Note 3. In regard to 2 to 7 contacts, 2 convex portions are different from those in the above figures.

Note 4. Use the no radius side at the panel edge in the looking area.

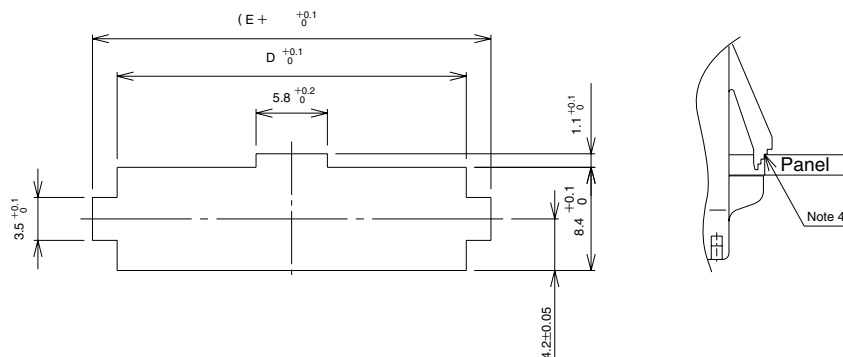
Note 5. : Panel fixation is loosened. (May be enlarged according to the panel board thickness.)

Note 6. : Styles of 2 to 4 contact partially differ from those in the above figures.

\* Refer to page B122 for the retainer.

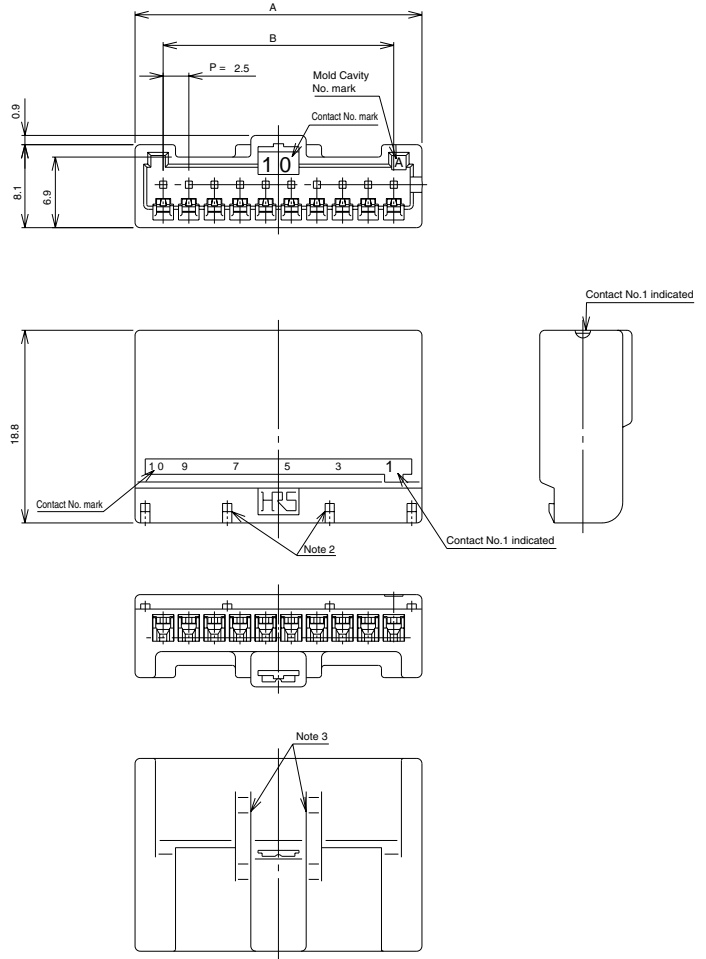
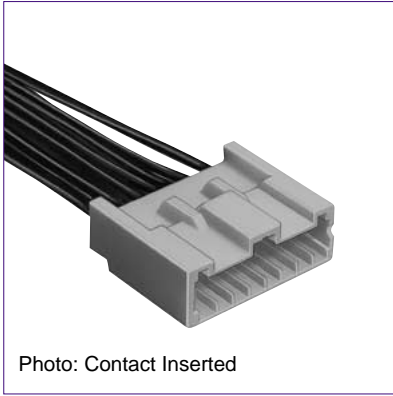
## ◆ Panel cut-outs

Panel Thickness	X
1.7~2.0	1.5
1.3~1.6	1.0
0.9~1.2	0.5
0.7~0.8	0.0





## In-line plug



Product No.	HRS No.	Number of Contacts	A	B
DF1EA - 2EP-2.5C(※※)	CL541 - 0957 - 5 - ※※	2	8.0	2.5
DF1EA - 3EP-2.5C(※※)	CL541 - 0958 - 8 - ※※	3	10.5	5.0
DF1EA - 4EP-2.5C(※※)	CL541 - 0959 - 0 - ※※	4	13.0	7.5
DF1EA - 5EP-2.5C(※※)	CL541 - 0960 - 0 - ※※	5	15.5	10.0
DF1EA - 6EP-2.5C(※※)	CL541 - 0961 - 2 - ※※	6	18.0	12.5
DF1EA - 7EP-2.5C(※※)	CL541 - 0962 - 5 - ※※	7	20.5	15.0
DF1EA - 8EP-2.5C(※※)	CL541 - 0963 - 8 - ※※	8	23.0	17.5
DF1EA - 9EP-2.5C(※※)	CL541 - 0964 - 0 - ※※	9	25.5	20.0
DF1EA - 10EP-2.5C(※※)	CL541 - 0965 - 3 - ※※	10	28.0	22.5

The symbol ※※ included in HRS No. and the product spec No. indicate a Specific No.

Note 1. : A packaging quantity is delivered by the bag unit (100 pcs.). If needed, please order the products per bag. However, the quantity for delivery will be changed according to the Specific No.

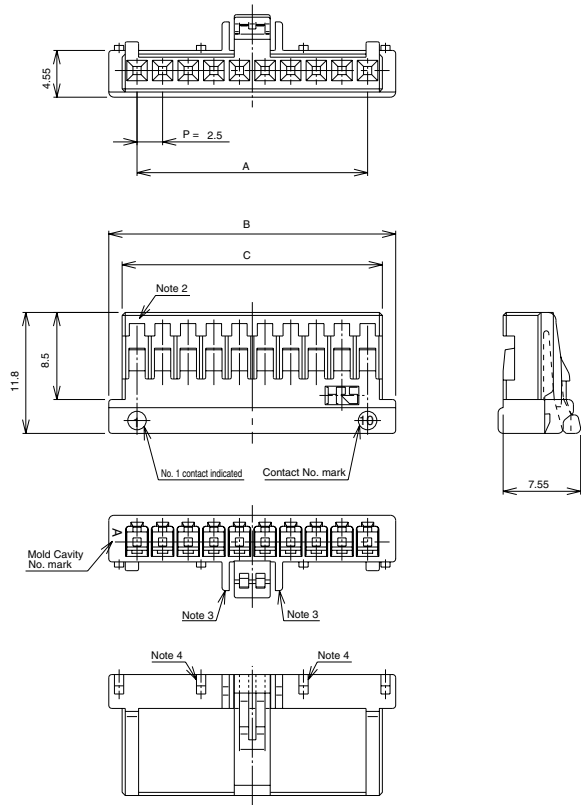
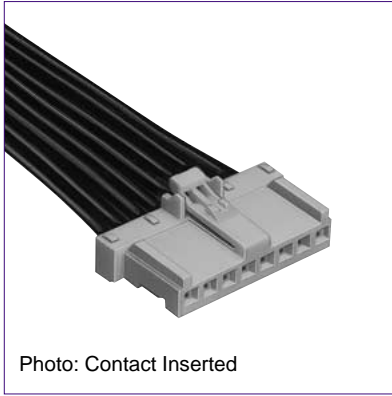
Note 2. : In regard to 2 to 5 contacts, the retainer fixed convex portions are located at both ends.

Note 3. : 2 to 7 contacts do not contain two convex portions, which is different from the above figure.

Note 4. : Styles of 2 to 4 contacts partially differ from the above figures.

\* Refer to page B122 for retainer.

## Socket



Product No.	HRS No.	Number of Contacts	A	B	C
DF1E - 2S-2.5C(※※)	CL541 - 0811 - 0 - ※※	2	2.5	8.0	5.4
DF1E - 3S-2.5C(※※)	CL541 - 0812 - 2 - ※※	3	5.0	10.5	7.9
DF1E - 4S-2.5C(※※)	CL541 - 0813 - 5 - ※※	4	7.5	13.0	10.4
DF1E - 5S-2.5C(※※)	CL541 - 0814 - 8 - ※※	5	10.0	15.5	12.9
DF1E - 6S-2.5C(※※)	CL541 - 0815 - 0 - ※※	6	12.5	18.0	15.4
DF1E - 7S-2.5C(※※)	CL541 - 0816 - 3 - ※※	7	15.0	20.5	17.9
DF1E - 8S-2.5C(※※)	CL541 - 0817 - 6 - ※※	8	17.5	23.0	20.4
DF1E - 9S-2.5C(※※)	CL541 - 0818 - 9 - ※※	9	20.0	25.5	22.9
DF1E -10S-2.5C(※※)	CL541 - 0819 - 1 - ※※	10	22.5	28.0	25.4
DF1E -11S-2.5C(※※)	CL541 - 0820 - 0 - ※※	11	25.0	30.5	27.9
DF1E -12S-2.5C(※※)	CL541 - 0821 - 3 - ※※	12	27.5	33.0	30.4
DF1E -13D-2.5C(※※)	CL541 - 0822 - 6 - ※※	13	30.0	35.5	32.9
DF1E -14S-2.5C(※※)	CL541 - 0823 - 9 - ※※	14	32.5	38.0	35.4
DF1E -15S-2.5C(※※)	CL541 - 0824 - 1 - ※※	15	35.0	40.5	37.9

The symbol ※※ included in HRS No. and the product spec No. indicate a Specific No.

Note 1. : A packaging quantity is delivered by the bag unit (100 pcs.). If needed, please order the products per bag. However, the quantity for delivery will be changed according to spec number.

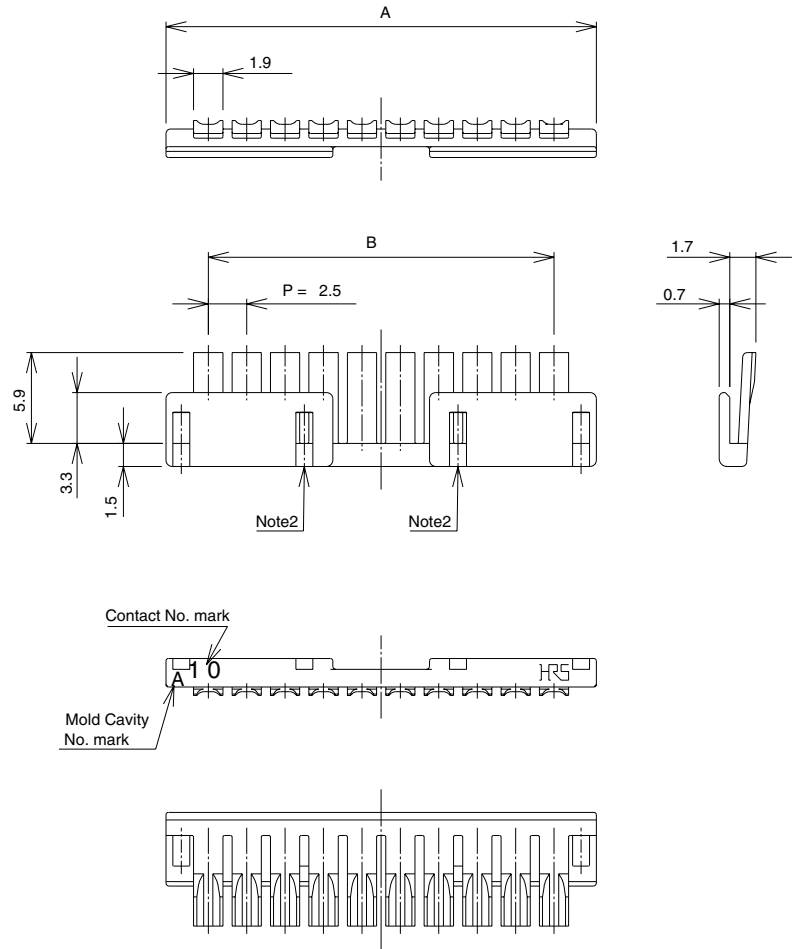
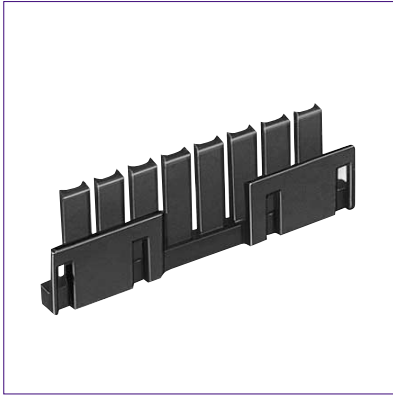
Note 2. : The 2 contact connector is equipped with the convex portion to prevent false-insertion.

Note 3. : The 2 consult Has no wall on the locking side

Note 4. : The 2 to 5 contacts contain the retainer fixed convex portions at both ends.

\* Refer to page B122 for the retainer.

## Retainer



Product No.	HRS No.	Number of Contacts	A	B
DF1E - 2RS/P-2.5(※※)	CL541 - 0971 - 6	2	8.0	2.5
DF1E - 3RS/P-2.5(※※)	CL541 - 0972 - 9	3	10.5	5.0
DF1E - 4RS/P-2.5(※※)	CL541 - 0973 - 1	4	13.0	7.5
DF1E - 5RS/P-2.5(※※)	CL541 - 0974 - 4	5	15.5	10.0
DF1E - 6RS/P-2.5(※※)	CL541 - 0975 - 7	6	18.0	12.5
DF1E - 7RS/P-2.5(※※)	CL541 - 0976 - 0	7	20.5	15.0
DF1E - 8RS/P-2.5(※※)	CL541 - 0977 - 2	8	23.0	17.5
DF1E - 9RS/P-2.5(※※)	CL541 - 0978 - 5	9	25.5	20.0
DF1E - 10RS/P-2.5(※※)	CL541 - 0979 - 8	10	28.0	22.5

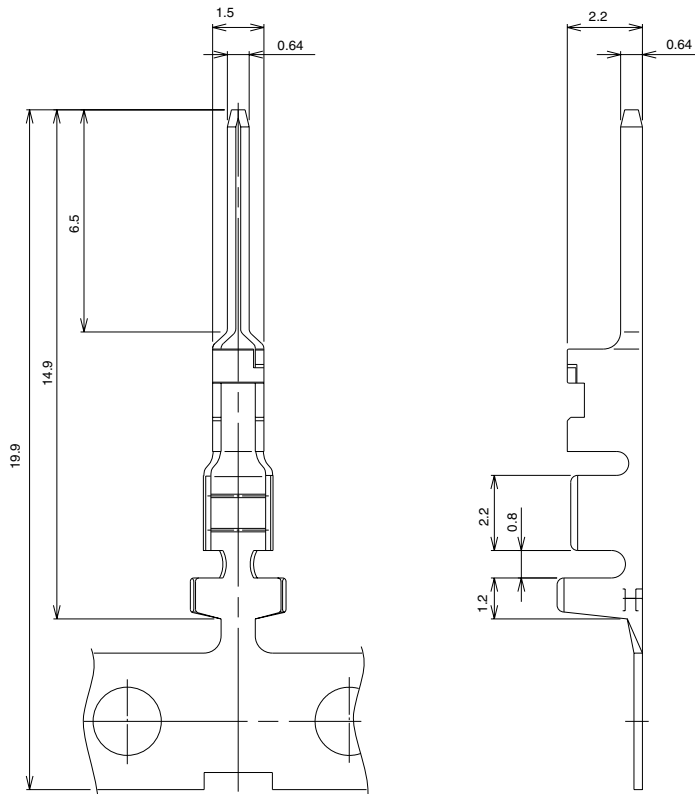
The symbol ※※ included in HRS No. and the product spec No. indicates the Specific No.

Note 1. : A packaging quantity is delivered by the bag unit (100 pcs.). If needed, please order the products per bag. However, the quantity for delivery will be changed according to spec number.

Note 2. : The 2 to 4 contacts contain socket and plug fixed holes at both ends.

\* This retainer can be used together with the socket and relay plug.

## ■ Plug crimping contact



### ● Applicable cable (tin plating annealed copper wire)

Conductor Size (Wire construction)
AWG # 20 (21 cores./0.18mm)
AWG # 22 (17 cores./0.16mm)
AWG # 24 (11 cores./0.16mm)
AWG # 26 ( 7 cores./0.16mm)
AWG # 28 ( 7 cores./0.127mm)
AWG # 30 ( 7 cores./0.1mm)

### ● Recommended cable

UL1061, UL1007

### ● Strip length

3.0~3.7mm

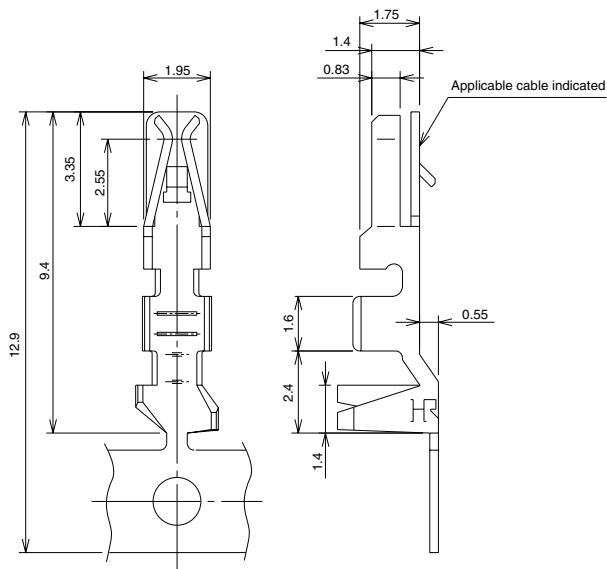
Note : If other cables are used instead of the applicable cable, contact Hirose sales department.

Product No.	HRS No.	Applicable Cable Indication	Applicable Cable		Packaging Type	Quantity
			AWG	Jacket Diameter		
DF1E – 2022PCF	CL541 – 0937 – 8	20	AWG # 20	1.2~1.9mm	Reel	10,000
DF1E – 2022PC	CL541 – 0938 – 0	22	AWG # 22		Bag	100
DF1E – 2428PCF	CL541 – 0939 – 3	24	AWG # 24	0.9~1.5mm	Reel	10,000
DF1E – 2428PC	CL541 – 0940 – 2	28	AWG # 28		Bag	100
DF1E – 30PCF	CL541 – 0941 – 5	30	AWG # 30	0.6~1.2mm	Reel	10,000
DF1E – 30PC	CL541 – 0942 – 8				Bag	100

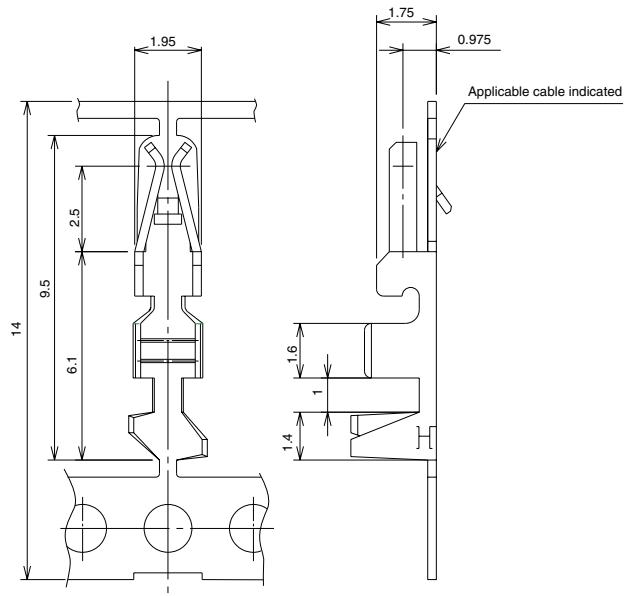
● Crimping contact extraction tool DF-C-PO(B)

## ■Socket crimping contact

### ●DF1E-2022SCF



### ●DF1B - \* \* \* \* SCF



### ●Applicable cable (tin plating annealed copper wire)

Conductor Size (Wire construction)
AWG # 20 (21 cores./0.18mm)
AWG # 22 (17 cores./0.16mm)
AWG # 24 (11 cores./0.16mm)
AWG # 26 ( 7 cores./0.16mm)
AWG # 28 ( 7 cores./0.127mm)
AWG # 30 ( 7 cores./0.1mm)

### ●Recommended cable

UL1061, UL1007

### ●Strip length

2.0mm~2.5mm

Note : If other cables are used instead of the applicable cable, consult Hirose sales department.

Product No.	HRS No.	Applicable Cable Indication	Applicable Cable		Packaging Type	Quantity
			AWG	Jacket Diameter		
DF1E - 2022SCF	CL541 - 0999 - 5	20	AWG # 20	1.2~1.9mm	Reel	10,000
DF1E - 2022SC	CL541 - 1000 - 2	22	AWG # 22		Bag	100
DF1B - 2022SCF	CL541 - 0223 - 1	20	AWG # 20	1.2~1.9mm	Reel	10,000
DF1B - 2022SC	CL541 - 0224 - 4	22	AWG # 22		Bag	100
DF1B - 2428SCF	CL541 - 0678 - 1	24	AWG # 24	0.9~1.5mm	Reel	10,000
DF1B - 2428SC	CL541 - 0679 - 4	28	AWG # 28		Bag	100
DF1B - 30SCF	CL541 - 0682 - 9	30	AWG # 30	0.6~1.2mm	Reel	10,000
DF1B - 30SC	CL541 - 0683 - 1				Bag	100

● Crimping contact extraction tool DF-C-PO(B)

## ◆ Crimping tools

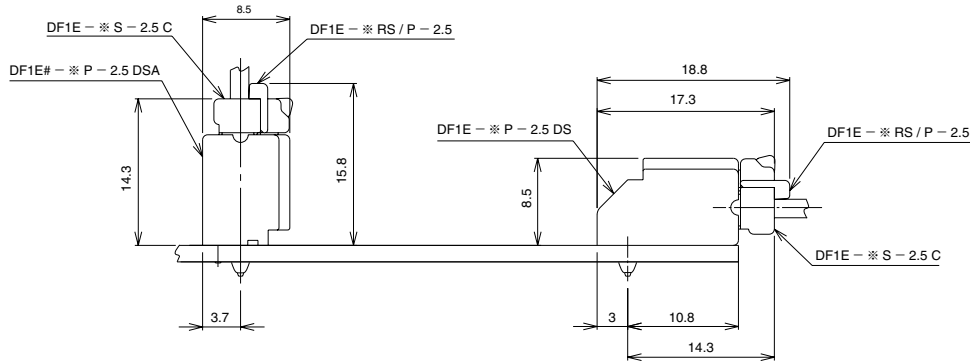
Item	Product No.	HRS No.	Applicable Contact
Applicator	AP105 – DF1E – 2022S	CL901 – 4561 – 0	DF1E – 2022SCF
	AP105 – DF1B – 2022S ◎	CL901 – 4510 – 9	DF1B – 2022SCF
	AP105 – DF1B – 2428S ◎	CL901 – 4518 – 0	DF1B – 2428SCF
	AP105 – DF1B – 30S ◎	CL901 – 4517 – 8	DF1B – 30SCF
	AP105 – DF1B – 2022P ◎	CL901 – 4509 – 0	DF1E – 2022PCF
	AP105 – DF1B – 2428P ◎	CL901 – 4521 – 5	DF1E – 2428PCF
	AP105 – DF1B – 30P ◎	CL901 – 4519 – 3	DF1E – 30PCF
Main Press Unit	CM – 105 ◎	CL901 – 0005 – 4	—————
Manual Crimping Tool	HT102/DF1E – 2022S	CL550 – 0277 – 1	DF1E – 2022SC
	DF1B – TA2022SHC ◎	CL550 – 0182 – 7	DF1B – 2022SC
	DF1B – TA2428SHC ◎	CL550 – 0209 – 1	DF1B – 2428SC
	DF1B – TA30SHC ◎	CL550 – 0211 – 3	DF1B – 30SC
	HT102/DF1BE – 2022P	CL550 – 0278 – 4	DF1E – 2022PC
	HT102/DF1BE – 2428P	CL550 – 0279 – 7	DF1E – 2428PC
	HT102/DF1BE – 30P	CL550 – 0280 – 6	DF1E – 30PCF
Contact Extraction Tool	DF – C – PO (B)	CL550 – 0179 – 2	DF1E – 2022SC (F) DF1B – * * * * SC (F) DF1E – * * * * PC (F)

Note 1. : Add "◎" to the last number of the product, in order to use DF1B series tools, which have been conventionally merchandized.

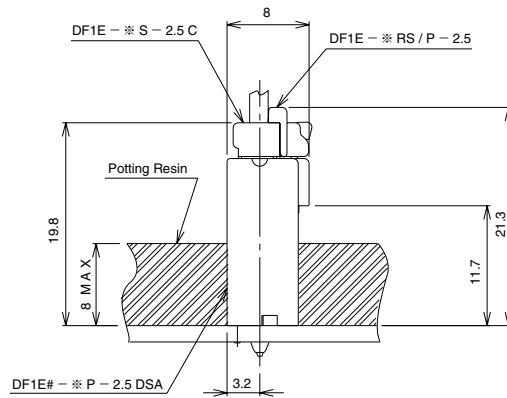
Note 2. : f any trouble has occurred due to other tools, which are not designated by Hirose, Hirose won't guarantee any products.

# ◆ Application pattern

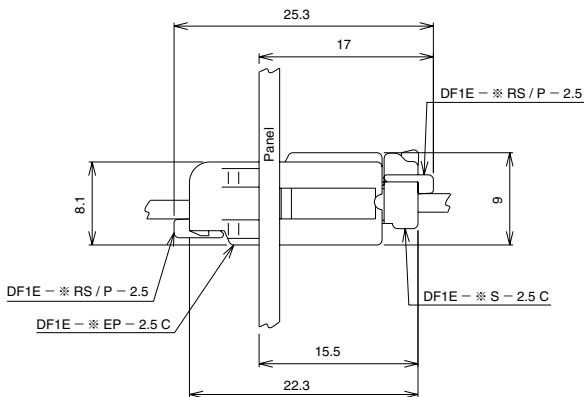
## ● Standard header



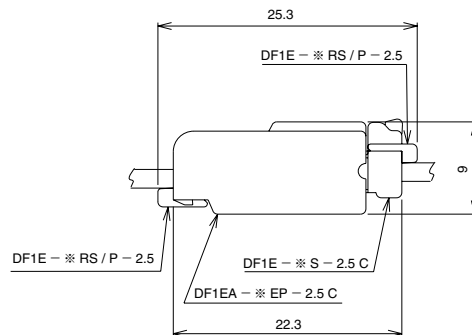
## ● Header for potting



## ● Panel mounting lock in-line plug



## ● In-line plug



## ◆Precautions for use

1. Recommended soldering condition : ●Flow condition with automatic solder machine  
Soldering temperature:  $25\pm 5^{\circ}\text{C}$ , soldering time: within 3 seconds  
●Manual soldering condition  
Soldering temperature:  $290\pm 10^{\circ}\text{C}$ , soldering time: within 2 seconds
2. Cleaning condition : Refer to the "Nylon Connector Instruction Manual" contained in the other nylon connector catalog.  
However, if the connector is cleaned by the potting header, the detergent remains within the connector, which will cause malfunction.
3. Connection condition : Refer to the "Nylon Connector Instruction Manual" contained in the other nylon connector catalog.
4. Cautions : ● To remove the connector, if the connector is forcedly removed, it will cause connector damage. If the connector is hardly removed, slightly push the connector once, and then remove it using the lock.  
● In some method for laying the cable within equipment, a tension may be applied to the cable so as to remove the contact. In this case, it is recommended to use the retainer.  
● If the potting process is implemented, it is desirable to fill the connector with resin, considering the resin surface tensile force.  
● The color phase of this product may be slightly different from that of the forming product according to the manufacturing lot and future storage conditions, however the difference doesn't affect the performance.