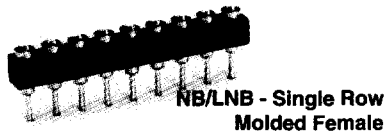
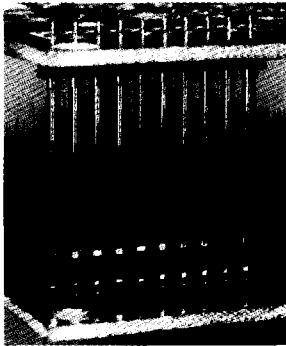


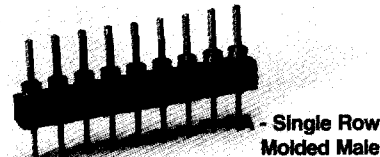
## .100" (2.54 mm) Pitch Board to Board Interconnections



NB/LNB - Single Row Molded Female



DRS - Dual Row Molded Female



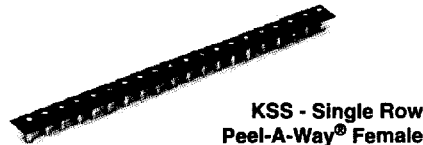
- Single Row Molded Male



DRA - Dual Row Molded Male



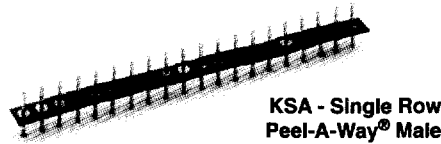
Low Profile Board to Board



KSS - Single Row Peel-A-Way® Female



DKS - Dual Row Peel-A-Way® Female



KSA - Single Row Peel-A-Way® Male



DKA - Dual Row Peel-A-Way® Male

### Features:

- High reliability method of interconnecting.
- Reliable mechanical support.
- Complete flexibility. If the board to board spacing you need is not shown on pages 54 - 55 , consult factory.

### Terminals and Contacts:

Terminal: Brass - Copper Alloy 360, ASTM-B-16

Contact: Beryllium Copper - Copper Alloy 172, ASTM-B-194

### Plating:

Terminal: Gold over Nickel or Tin-Lead over Nickel

Contact: Gold over Nickel or Tin-Lead over Nickel

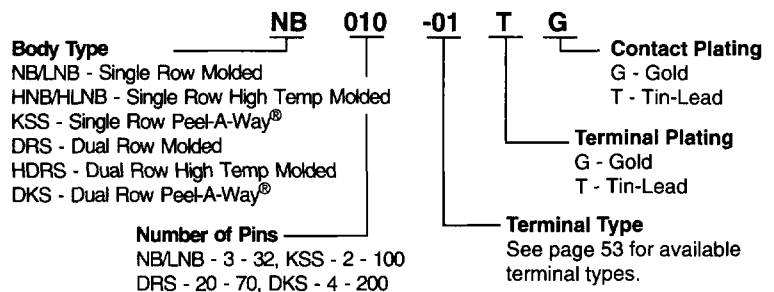
### Body Material:

**Molded** - Glass filled thermoplastic Polyester (P.B.T.) U.L. Rated 94V-O, -60°C to 140°C (-76°F to 284°F)

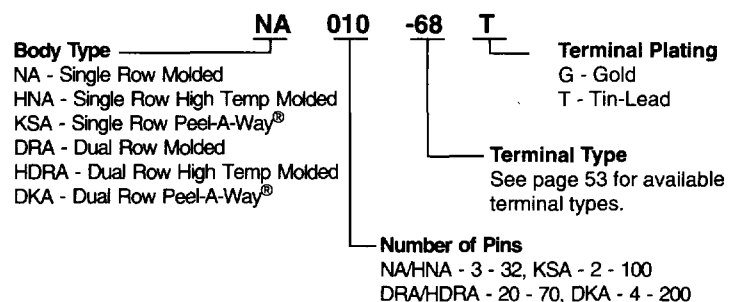
**High Temp Molded** - High temp. glass filled thermoplastic, U.L. Rated 94V-O, -60°C to 260°C (-76°F to 500°F)

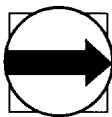
**Peel-A-Way®** - Polyimide Film - Temp. range -269°C to 400°C(-452°F to 752°F)

### How To Order Single and Dual Row Female



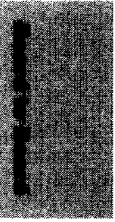
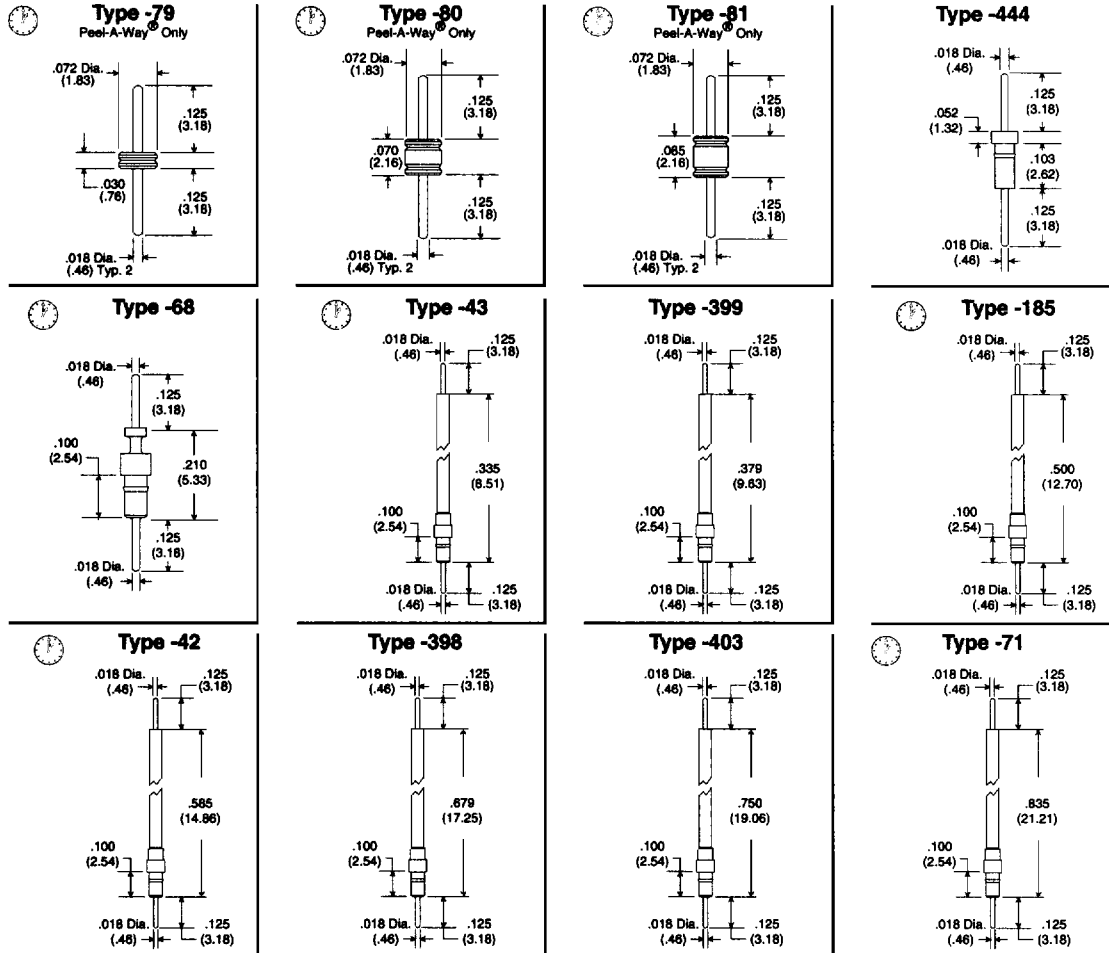
### How To Order Single and Dual Row Male



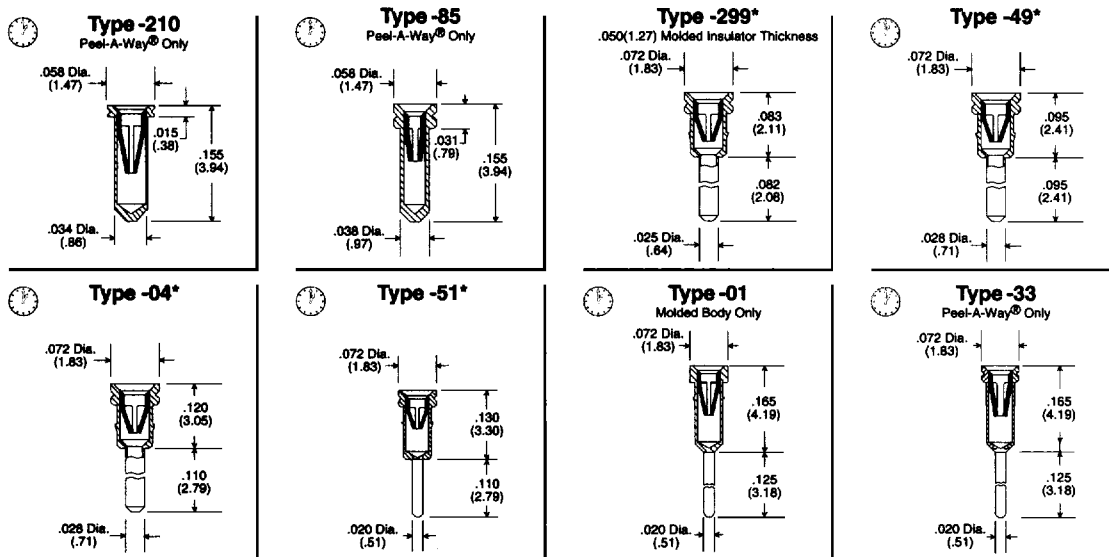


## .100" (2.54 mm) Pitch Board to Board Interconnections

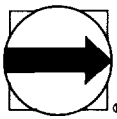
### Male Terminal Information



### Female Terminal Information

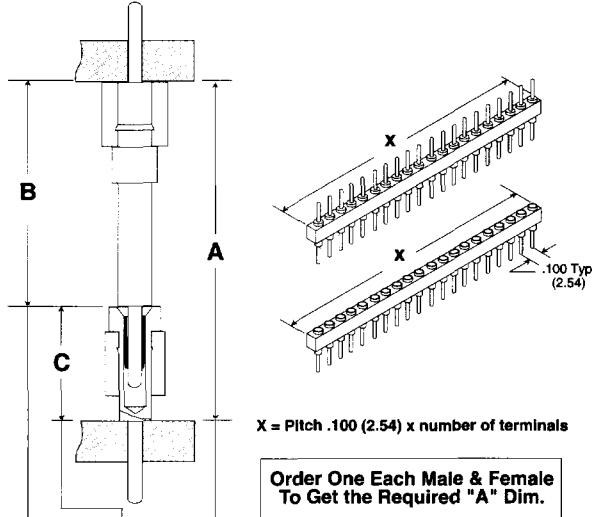


\* These terminal types are available in either molded or Peel-A-Way®. Peel-A-Way® covered by patent rights issued and or pending.



### .100" (2.54 mm) Pitch Board to Board Interconnections

#### Molded Body Male & Female (32 Positions Maximum)

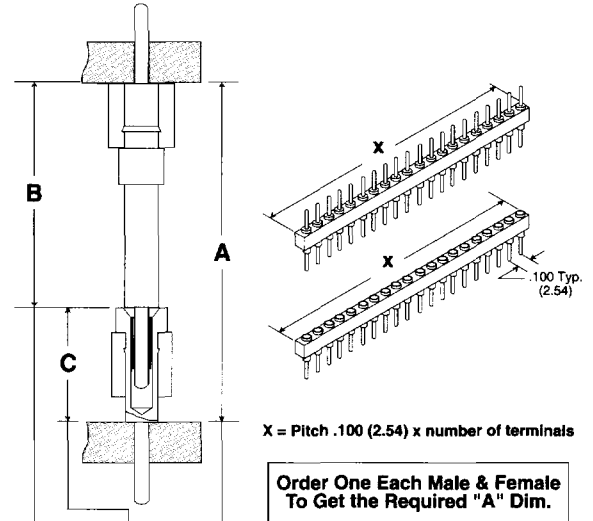


X = Pitch .100 (2.54) x number of terminals

Order One Each Male & Female To Get the Required "A" Dim.

B	C	A	Male Part #	Female Part #
.155 (3.94)	.083 (2.11)	.238 (6.05)	NA020-444G	NB020-299TG
.155 (3.94)	.095 (2.41)	.250 (6.35)	NA020-444G	LNB020-49TG
.155 (3.94)	.120 (3.05)	.275 (6.99)	NA020-444G	LNB020-04TG
.155 (3.94)	.130 (3.30)	.285 (7.24)	NA020-444G	NB020-51TG
.210 (5.33)	.083 (2.11)	.293 (7.44)	NA020-68G	NB020-299TG
.210 (5.33)	.095 (2.41)	.305 (7.74)	NA020-68G	LNB020-49TG
.155 (3.94)	.165 (4.19)	.320 (8.13)	NA020-444G	NB020-01TG
.210 (5.33)	.120 (3.05)	.330 (8.37)	NA020-68G	LNB020-04TG
.210 (5.33)	.130 (3.30)	.340 (8.63)	NA020-68G	NB020-51TG
.210 (5.33)	.165 (4.19)	.375 (9.52)	NA020-68G	NB020-01TG
.335 (8.51)	.083 (2.11)	.418 (10.62)	NA020-43G	NB020-299TG
.335 (8.51)	.095 (2.41)	.430 (10.92)	NA020-43G	LNB020-49TG
.335 (8.51)	.120 (3.05)	.455 (11.56)	NA020-43G	LNB020-04TG
.379 (9.63)	.083 (2.11)	.462 (11.74)	NA020-399G	NB020-299TG
.335 (8.51)	.130 (3.30)	.465 (11.81)	NA020-43G	NB020-51TG
.379 (9.63)	.095 (2.41)	.474 (12.04)	NA020-399G	LNB020-49TG
.379 (9.63)	.120 (3.05)	.499 (12.68)	NA020-399G	LNB020-04TG
.335 (8.51)	.165 (4.19)	.500 (12.70)	NA020-43G	NB020-01TG
.379 (9.63)	.130 (3.30)	.509 (12.93)	NA020-399G	NB020-51TG
.379 (9.63)	.165 (4.19)	.544 (13.82)	NA020-399G	NB020-01TG
.500 (12.70)	.083 (2.11)	.583 (14.81)	NA020-185G	NB020-299TG
.500 (12.70)	.095 (2.41)	.595 (15.11)	NA020-185G	LNB020-49TG

20 Position Single Row Part Numbers Shown  
For Additional Ordering Information See Page 52



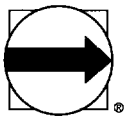
X = Pitch .100 (2.54) x number of terminals

Order One Each Male & Female To Get the Required "A" Dim.

B	C	A	Male Part #	Female Part #
.500 (12.70)	.120 (3.05)	.620 (15.75)	NA020-185G	LNB020-04TG
.500 (12.70)	.130 (3.30)	.630 (16.00)	NA020-185G	NB020-51TG
.500 (12.70)	.165 (4.19)	.665 (16.89)	NA020-185G	NB020-01TG
.585 (14.86)	.083 (2.11)	.668 (16.97)	NA020-42G	NB020-299TG
.585 (14.86)	.095 (2.41)	.680 (17.27)	NA020-42G	LNB020-49TG
.585 (14.86)	.120 (3.05)	.705 (17.91)	NA020-42G	LNB020-04TG
.585 (14.86)	.130 (3.30)	.715 (18.16)	NA020-42G	NB020-51TG
.585 (14.86)	.165 (4.19)	.750 (19.05)	NA020-42G	NB020-01TG
.679 (17.25)	.083 (2.11)	.762 (19.36)	NA020-398G	NB020-299TG
.679 (17.25)	.095 (2.41)	.774 (19.66)	NA020-398G	LNB020-49TG
.679 (17.25)	.120 (3.05)	.799 (20.30)	NA020-398G	LNB020-04TG
.679 (17.25)	.130 (3.30)	.809 (20.55)	NA020-398G	NB020-51TG
.750 (19.06)	.083 (2.11)	.833 (21.17)	NA020-403G	NB020-299TG
.679 (17.25)	.165 (4.19)	.844 (21.44)	NA020-398G	NB020-01TG
.750 (19.06)	.095 (2.41)	.845 (21.47)	NA020-403G	LNB020-49TG
.750 (19.06)	.120 (3.05)	.870 (22.11)	NA020-403G	LNB020-04TG
.750 (19.06)	.130 (3.30)	.880 (22.36)	NA020-403G	NB020-51TG
.750 (19.06)	.165 (4.19)	.915 (23.25)	NA020-403G	NB020-01TG
.835 (21.21)	.083 (2.11)	.918 (23.32)	NA020-71G	NB020-299TG
.835 (21.21)	.095 (2.41)	.930 (23.62)	NA020-71G	LNB020-49TG
.835 (21.21)	.120 (3.05)	.955 (24.26)	NA020-71G	LNB020-04TG
.835 (21.21)	.130 (3.30)	.965 (24.51)	NA020-71G	NB020-51TG
.835 (21.21)	.165 (4.19)	1.000 (25.40)	NA020-71G	NB020-01TG

20 Position Single Row Part Numbers Shown  
For Additional Ordering Information See Page 52

If required "A" dimension is not shown, consult factory.



## .100" (2.54 mm) Pitch Board to Board Interconnections

Order One Each Male & Female To Get the Required "A" Dim.

B	C	A	Male Part #	Female Part #	Fig.
.030 (.76)	.015 (.38)	.045 (1.14)	KSA020-79G	KSS020-210TG	3
.030 (.76)	.030 (.76)	.060 (1.52)	KSA020-79G	KSS020-85TG	3
.070 (1.78)	.015 (.38)	.085 (2.16)	KSA020-80G	KSS020-210TG	3
.085 (2.16)	.015 (.38)	.100 (2.54)	KSA020-81G	KSS020-210TG	3
.070 (1.78)	.030 (.76)	.100 (2.54)	KSA020-80G	KSS020-85TG	3
.030 (.76)	.083 (2.11)	.113 (2.87)	KSA020-79G	NB020-299TG	1
.085 (2.16)	.030 (.76)	.115 (2.92)	KSA020-81G	KSS020-85TG	3
.030 (.76)	.095 (2.41)	.125 (3.18)	KSA020-79G	KSS020-49TG	3
.030 (.76)	.120 (3.05)	.150 (3.81)	KSA020-79G	KSS020-04TG	3
.070 (1.78)	.083 (2.11)	.153 (3.89)	KSA020-80G	NB020-299TG	1
.030 (.76)	.130 (3.30)	.160 (4.06)	KSA020-79G	KSS020-51TG	3
.070 (1.78)	.095 (2.41)	.165 (4.19)	KSA020-80G	KSS020-49TG	3
.085 (2.16)	.083 (2.11)	.168 (4.27)	KSA020-81G	NB020-299TG	1
.155 (3.94)	.015 (.38)	.170 (4.32)	NA020-444G	KSS020-210TG	2
.085 (2.16)	.095 (2.41)	.180 (4.57)	KSA020-81G	KSS020-49TG	3
.155 (3.94)	.031 (.79)	.186 (4.72)	NA020-444G	KSS020-85TG	2
.070 (1.78)	.120 (3.05)	.190 (4.83)	KSA020-80G	KSS020-04TG	3
.030 (.76)	.165 (4.19)	.195 (4.95)	KSA020-79G	KSS020-33TG	3
.070 (1.78)	.130 (3.30)	.200 (5.08)	KSA020-80G	KSS020-51TG	3
.085 (2.16)	.120 (3.05)	.205 (5.21)	KSA020-81G	KSS020-04TG	3
.085 (2.16)	.130 (3.30)	.215 (5.47)	KSA020-81G	KSS020-51TG	3
.210 (5.33)	.015 (.38)	.225 (5.72)	NA020-68G	KSS020-210TG	2
.070 (1.78)	.165 (4.19)	.235 (5.97)	KSA020-80G	KSS020-33TG	3
.210 (5.33)	.031 (.79)	.241 (6.12)	NA020-68G	KSS020-85TG	2
.085 (2.16)	.165 (4.19)	.250 (6.35)	KSA020-81G	KSS020-33TG	3
.335 (8.51)	.015 (.38)	.350 (8.89)	NA020-43G	KSS020-210TG	2
.379 (9.63)	.015 (.38)	.364 (9.25)	NA020-399G	KSS020-210TG	2
.335 (8.51)	.031 (.79)	.366 (9.30)	NA020-43G	KSS020-85TG	2
.379 (9.63)	.031 (.79)	.410 (10.42)	NA020-399G	KSS020-85TG	2
.500 (12.70)	.015 (.38)	.515 (13.08)	NA020-185G	KSS020-210TG	2
.500 (12.70)	.031 (.79)	.531 (13.49)	NA020-185G	KSS020-85TG	2
.585 (14.86)	.015 (.38)	.600 (15.24)	NA020-42G	KSS020-210TG	2
.585 (14.86)	.031 (.79)	.616 (15.65)	NA020-42G	KSS020-85TG	2
.679 (17.25)	.015 (.38)	.694 (17.63)	NA020-398G	KSS020-210TG	2
.679 (17.25)	.031 (.79)	.710 (18.04)	NA020-398G	KSS020-85TG	2
.750 (19.06)	.015 (.38)	.765 (19.44)	NA020-403G	KSS020-210TG	2
.750 (19.06)	.031 (.79)	.781 (19.85)	NA020-403G	KSS020-85TG	2
.835 (21.21)	.015 (.38)	.850 (21.59)	NA020-71G	KSS020-210TG	2
.835 (21.21)	.031 (.79)	.866 (22.00)	NA020-71G	KSS020-85TG	2

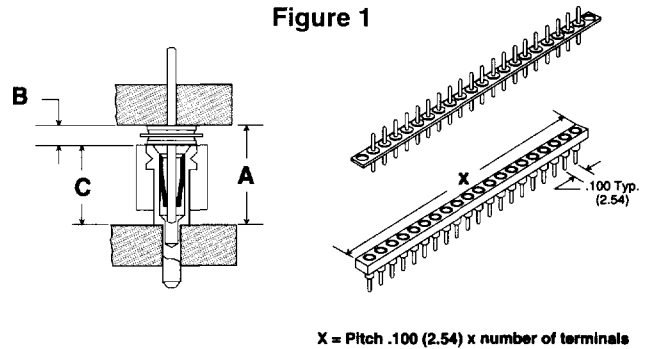
20 Position Single Row Part Numbers Shown  
For Additional Ordering Information See Page 52

If required "A" dimension is not shown, consult factory.

inch/(mm)

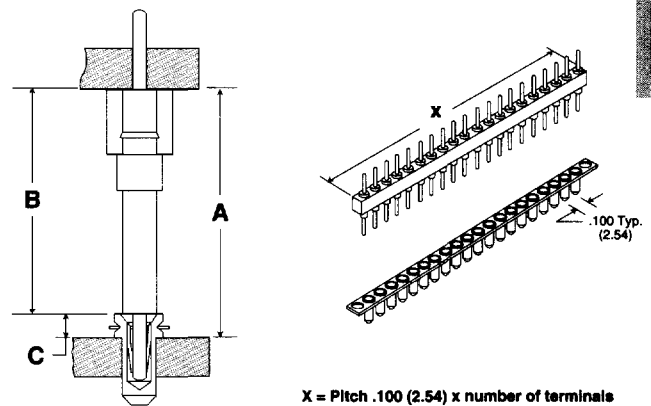
### Peel-A-Way® Male & Molded Body Female (32 Positions Maximum)

Figure 1



### Molded Body Male & Peel-A-Way® Female (32 Positions Maximum)

Figure 2



### Peel-A-Way® Male & Peel-A-Way® Female (2 - 100) Positions Maximum

Figure 3

