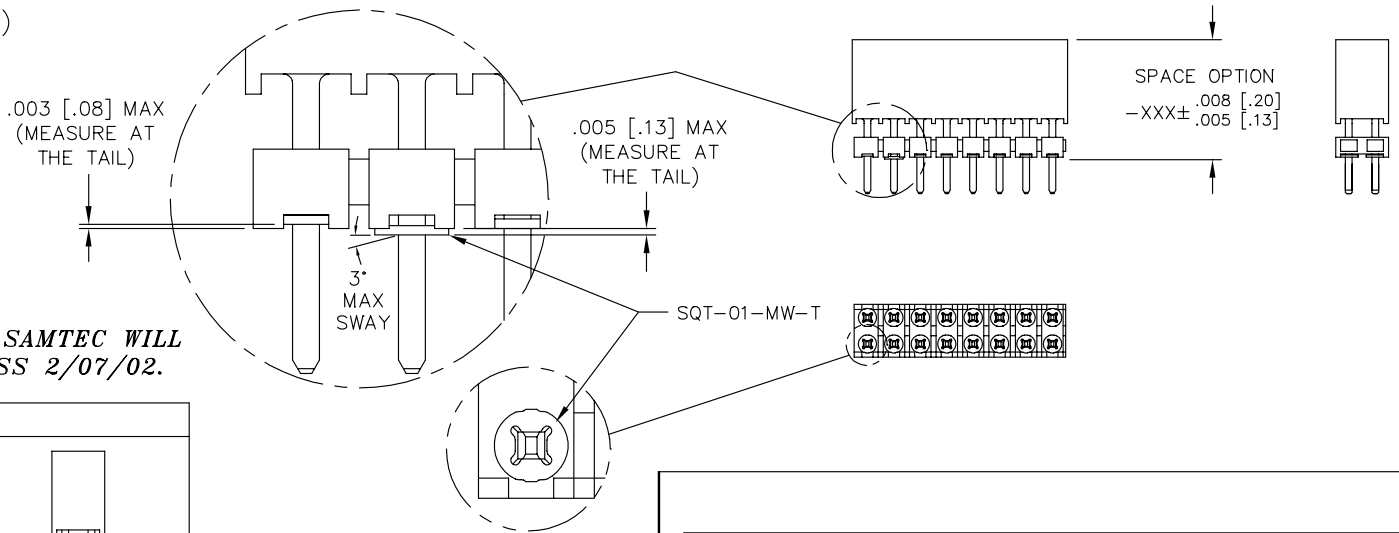


REV AZ

FIG. 2

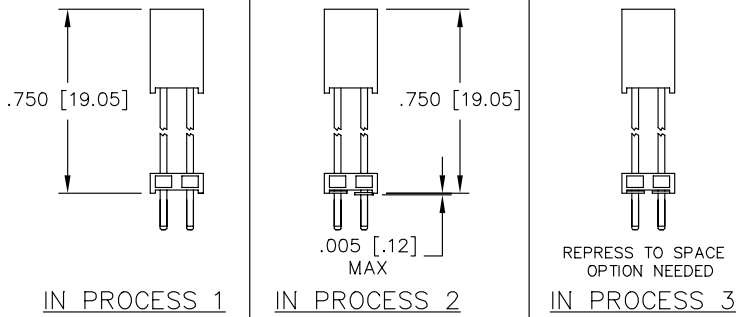
** -MW: METAL WASHER
(ONE PER POSITION)
(5 POS. MIN, 30 POS. MAX)

DIMENSIONS ARE IN INCHES		UNLESS OTHERWISE NOTED		TOLERANCES ARE:		TITLE:	DWG NO:
ONE PLACE DECIMALS ±.1[2.5]		THREE PLACE DECIMALS ±.005[.127]		ANGLES ± 2°		ELEVATED SQT ASSM	ESQT-1XX-XX-X-X-XXX-XXX-XX
TWO PLACE DECIMALS ±.01[.25]		FOUR PLACE DECIMALS ±.0020[.051]					SHEET 2 OF 2



** - MW OPTION, DO NOT DESIGN IN. SAMTEC WILL ONLY SUPPORT EXISTING BUSINESS 2/07/02.

-02 STYLE ONLY



STYLE	ROW	NO. OF POS.	PKG TUBE	TUBE PLUG
-02	-S	15-50 (-MW 5-30 POS)	PT-1-24-01-47	TP-24
-03	-S	15-50 (-MW 5-30 POS)	PT-1-24-01-46	TP-24
-02, -03	-S	02-14	LAYER PACKAGING	
-02	-D	15-50 (-MW 5-30 POS)	PT-1-24-01-34	TP-07
-03	-D	15-50 (-MW 5-30 POS)	PT-1-24-02-46	TP-03
-02, -03	-D	02-14	LAYER PACKAGING	
-02	-T	15-50 (-MW 5-30 POS)	PT-1-24-01-74	TP-07
-03	-T	15-50 (-MW 5-30 POS)	PT-1-24-02-29	TP-07
-02, -03	-T	02-14	LAYER PACKAGING	
-02	-Q	15-50 (-MW 5-30 POS)	PT-1-24-02-51	TP-13
-03	-Q	15-50 (-MW 5-30 POS)	PT-1-24-16-29	TP-07
-02, -03	-Q	02-14	LAYER PACKAGING	
-02	-5	15-50 (-MW 5-30 POS)	PT-1-24-01-56	TP-31
-03	-5	15-50 (-MW 5-30 POS)	PT-1-24-01-08	TP-13
-02, -03	-5	02-14	LAYER PACKAGING	
-02	-6	15-50 (-MW 5-30 POS)	PT-1-24-03-28	TP-13
-03	-6	15-50 (-MW 5-30 POS)	PT-1-24-04-56	TP-13
-02, -03	-6	02-14	LAYER PACKAGING	

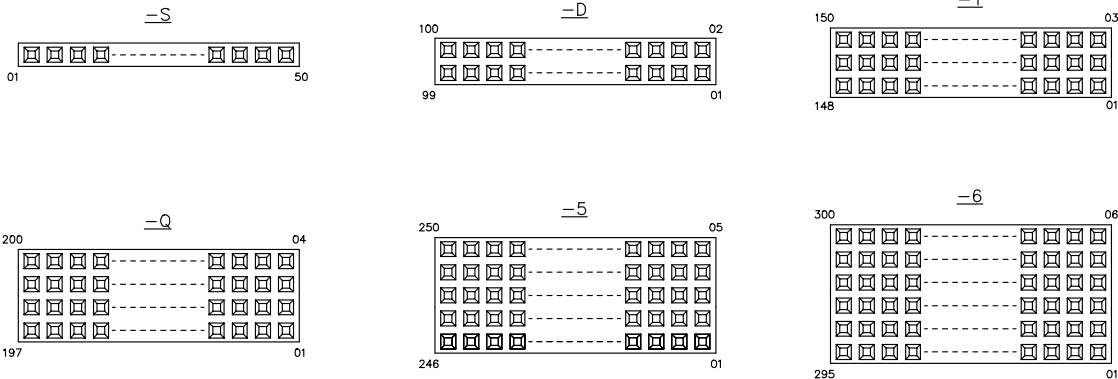


FIG. 3

POLARIZATION OPTION LOCATION

INSERT PK-07 INTO SPECIFIED POSITION AND BREAK OFF TAB

NOTE:
1. MINIMUM CONTACT RETENTION: 0.5 LB PER PIN.

PROPRIETARY NOTE
THIS DOCUMENT CONTAINS INFORMATION CONFIDENTIAL AND PROPRIETARY TO SAMTEC INC. AND SHALL NOT BE REPRODUCED OR TRANSFERRED TO OTHER DOCUMENTS OR DISCLOSED TO OTHERS OR USED FOR ANY PURPOSE OTHER THAN THAT FOR WHICH IT WAS OBTAINED WITHOUT THE EXPRESSED WRITTEN CONSENT OF SAMTEC INC.

PLOT SCALE: 1=.44 / DIMSCALE: .3

CONTACT: PHOS BRONZE
MATERIAL:
COLOR: BLACK LCP

samtec

520 PARK EAST BLVD. NEW ALBANY, INDIANA 47150
PHONE (812) 944-6733 P.O. BOX 1147
CODE 55322

MISC\MKTG
ESQTMKT2

MADE BY: PURVIS 10-20-95

ESQT-1XX-XX-X-X-XXX-XXX-XX
SHEET 2 OF 2