



## MICROMINIATURE – MIL-DTL-83513 Metal Connectors

### HMM01 THRU 04 – PRE-WIRED AND SOLDER CUP TERMINATIONS

#### HIRELCO PART NUMBER CODE

HMM 0\* - \* \*\* \*

##### HIRELCO CONNECTOR SERIES

HMM - MILITARY MICRO D-SUBMINIATURE  
(DESIGNS PER M83513 SPECIFICATION)

##### CONNECTOR TYPE, GENDER, & TERMINATION

01 - METAL SHELL PLUG, SOLDER CUP <1>  
02 - METAL SHELL RECEPTACLE, SOLDER CUP <1>  
03 - METAL SHELL PLUG, PRE-WIRED  
04 - METAL SHELL RECEPTACLE, PRE-WIRED

##### CONNECTOR SIZE (NUMBER OF CONTACTS)

A=9, B=15, C=21, D=25, E=31, F=37, G=51 & H=100

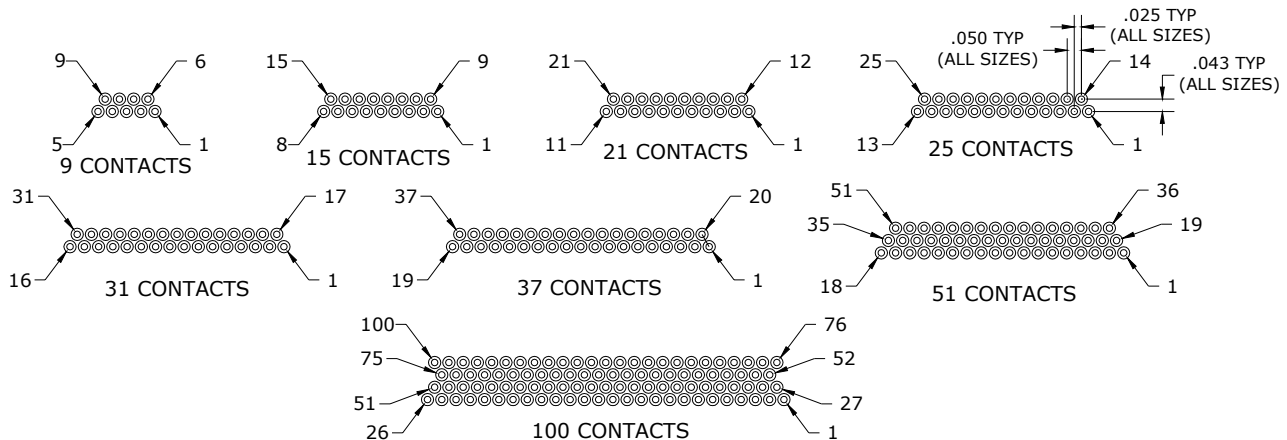
##### SHELL FINISH (& MATERIAL)

C - CADMIUM (ALUMINUM)  
N - ELECTROLESS NICKEL (ALUMINUM)  
P - PASSIVATED (STAINLESS STEEL)

##### WIRE LENGTH, TYPE, COLOR OR FINISH (OMIT FOR HMM01 AND HMM02)

- |  |  |
|--|--|
| 01- 18.00 INCHES LONG PER M22759/11-26-9 | 11- 18.00 INCHES LONG PER M22759/33-26   |
| 02- 36.00 INCHES LONG PER M22759/11-26-9 | FIRST 10 COLORS BLK THRU WHT REPEATS     |
| 03- 18.00 INCHES LONG PER M22759/11-26,  | 12- 36.00 INCHES LONG PER M22759/33-26   |
| FIRST 10 COLORS BLK THRU WHT REPEATS     | FIRST 10 COLORS BLK THRU WHT REPEATS     |
| 04- 36.00 INCHES LONG PER M22759/11-26,  | 13- 72.00 INCHES LONG PER M22759/11-26-9 |
| FIRST 10 COLORS BLK THRU WHT REPEATS     | 14- 72.00 INCHES LONG PER M22759/11-26   |
| 05- 0.50 INCHES LONG, #25 AWG, SOLID PER | FIRST 10 COLORS BLK THRU WHT REPEATS     |
| A-A-59551, TYPE S, GOLD PLATED,          | 15- 72.00 INCHES LONG PER M22759/33-26-9 |
| 10 MICRO INCHES THK                      | 16- 72.00 INCHES LONG PER M22759/33-26   |
| 06- 1.00 INCHES LONG, #25 AWG, SOLID PER | FIRST 10 COLORS BLK THRU WHT REPEATS     |
| A-A-59551, TYPE S, GOLD PLATED,          |  |
| 10 MICRO INCHES THK                      |  |
| 07- 0.50 INCHES LONG, #25 AWG, SOLID PER |  |
| A-A-59551, TYPE S, TIN PLATED            |  |
| 100 MICRO INCHES THK                     |  |
| 08- 1.00 INCHES LONG, #25 AWG, SOLID PER |  |
| A-A-59551, TYPE S, TIN PLATED            |  |
| 100 MICRO INCHES THK                     |  |
| 09- 18.00 INCHES LONG PER M22759/33-26-9 |  |
| 10- 36.00 INCHES LONG PER M22759/33-26-9 |  |

<1> - CONNECTOR TYPE UNAVAILABLE AT TIME OF PRINTING. CONTACT FACTORY FOR LATEST PRODUCT AVAILABILITY.



#### CONTACT ARRANGEMENTS

(FACE VIEW OF PIN INSERT SHOWN, REVERSE ORDER FOR SOCKET SIDE)

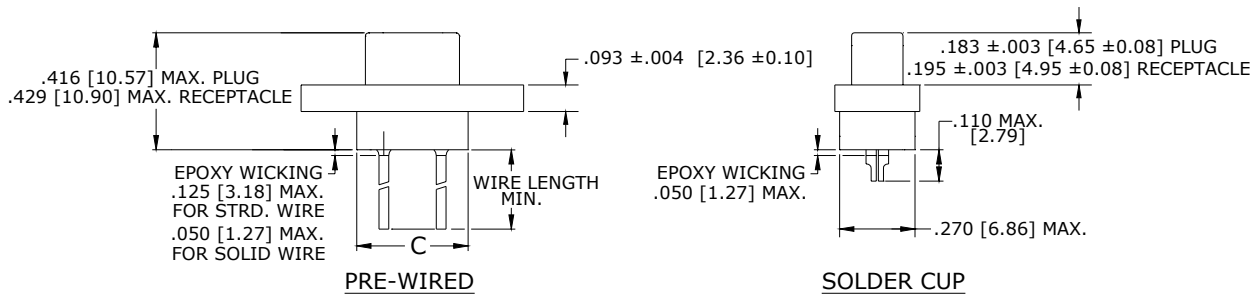
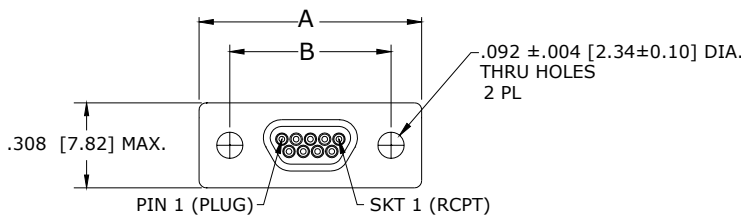
SEE HMM05 IN THE HARDWARE AND ACCESSORIES SECTION FOR M83513/05 CONNECTOR HARDWARE INFORMATION  
SEE THE FIRST PAGE OF THIS SECTION FOR PERFORMANCE, MATERIAL, AND PLATING INFORMATION



## MICROMINIATURE – MIL-DTL-83513 Metal Connectors

### HMM01 THRU 04 – PRE-WIRED AND SOLDER CUP TERMINATIONS

SIZE	A MAX.	B NOM.	C MAX.
9	.785 [19.94]	.565 [14.35]	.400 [10.16]
15	.935 [23.75]	.715 [18.16]	.550 [13.97]
21	1.085 [27.56]	.865 [21.97]	.700 [17.78]
25	1.185 [30.10]	.965 [24.51]	.800 [20.32]
31	1.335 [33.91]	1.115 [28.32]	.950 [24.13]
37	1.485 [37.72]	1.265 [32.13]	1.100 [27.94]
51	1.435 [36.45]	1.215 [30.86]	1.050 [26.67]
100	2.170 [55.12]	1.800 [45.72]	1.442 [36.63]



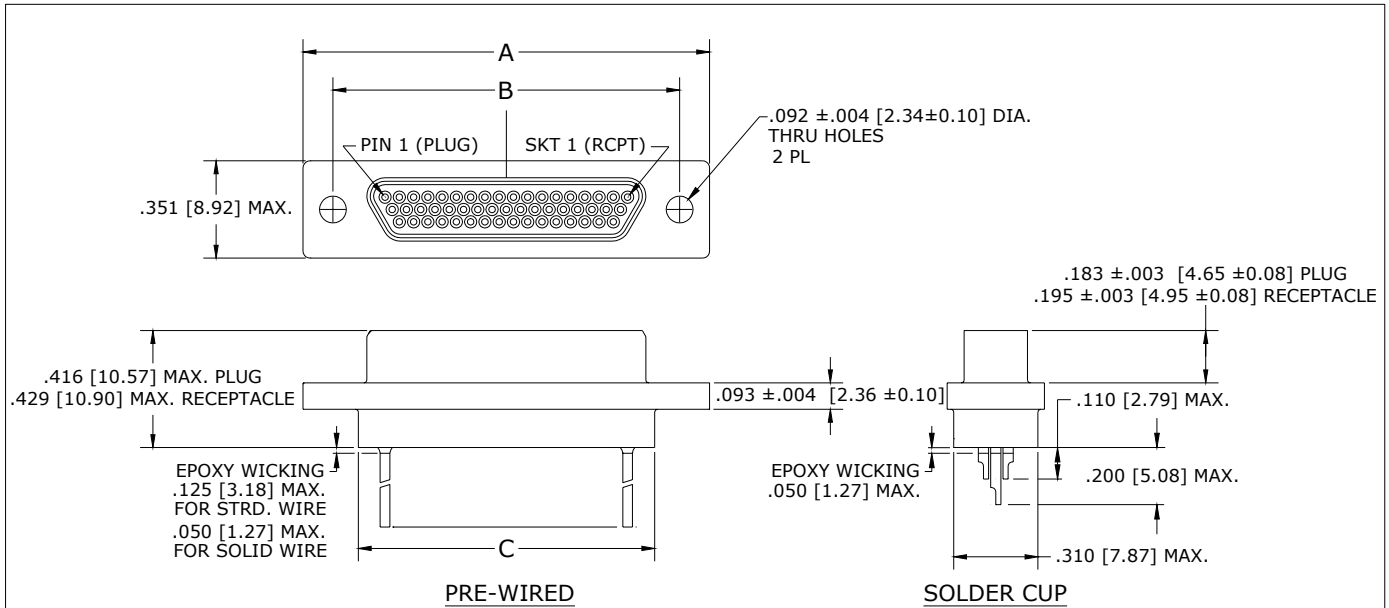
### SIZES 9 - 37 (SIZE 9 PLUG (PIN CONTACTS) SHOWN)

DIMENSIONS ARE IN INCHES [MILLIMETERS], TOLERANCE UNLESS OTHERWISE NOTED IS ±.005 [0.13]

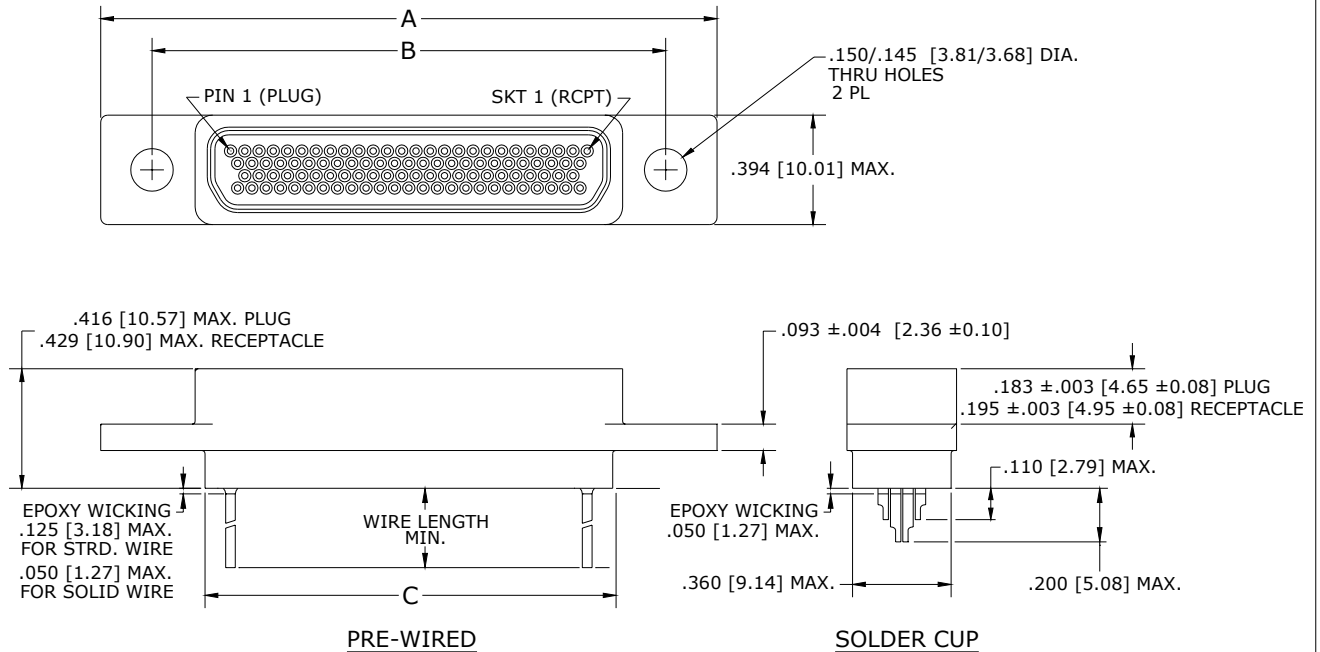


## MICROMINIATURE – MIL-DTL-83513 Metal Connectors

### HMM01 THRU 04 – PRE-WIRED AND SOLDER CUP TERMINATIONS



**SIZE 51**  
(SIZE 51 PLUG (PIN CONTACTS) SHOWN)



**SIZE 100**  
(SIZE 100 RECEPTACLE (SOCKET CONTACTS) SHOWN)

DIMENSIONS ARE IN INCHES [MILLIMETERS], TOLERANCE UNLESS OTHERWISE NOTED IS  $\pm .005$  [0.13]