









-  Magnetic Integrated Connector Modules
-  350µH OCL with 18.8mA DC Bias
-  1500Vrms isolation voltage per IEEE802.3
-  720mA maximum balanced DC line current capability
-  Designed for Power over Ethernet Plus enabled Applications with reference to IEEE P802.3at
-  Operating temperature 0°C to +70°C
-  UL 1863 listed
-  RoHS compliant



GENERAL ELECTRICAL SPECIFICATION @ 25°C

Insertion Loss (dB Max)	Return Loss (dB Min)				CMRR (dB Min)	Crosstalk (dB Min)	Hipot (Vrms)
	0.1-100MHz	1-30MHz	40MHz	50MHz			
1.5	16.0	14.0	13.0	12.0	30.0	30.0	1500

PART NUMBER TABLE

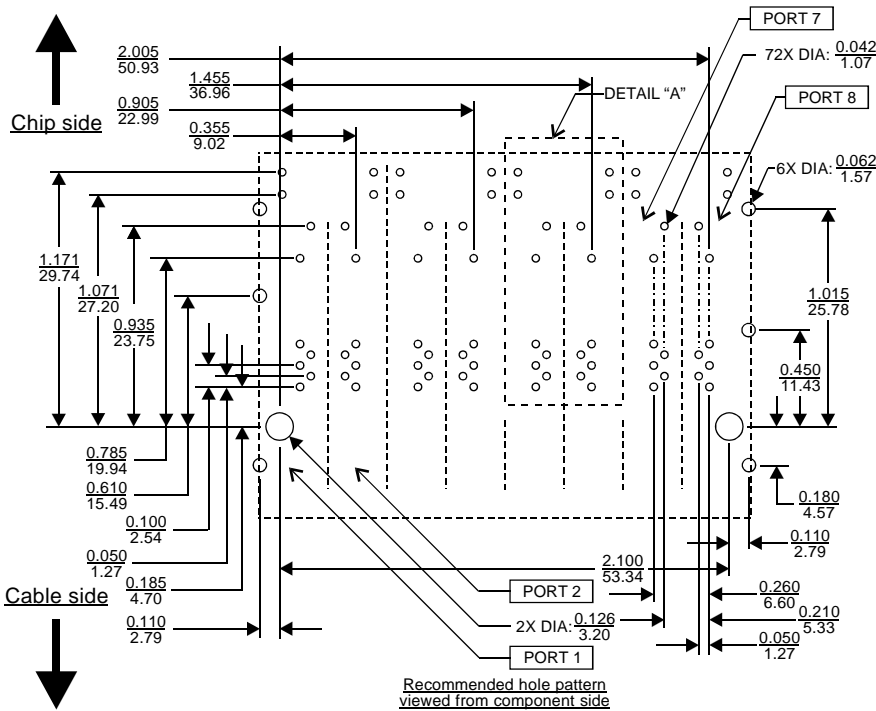
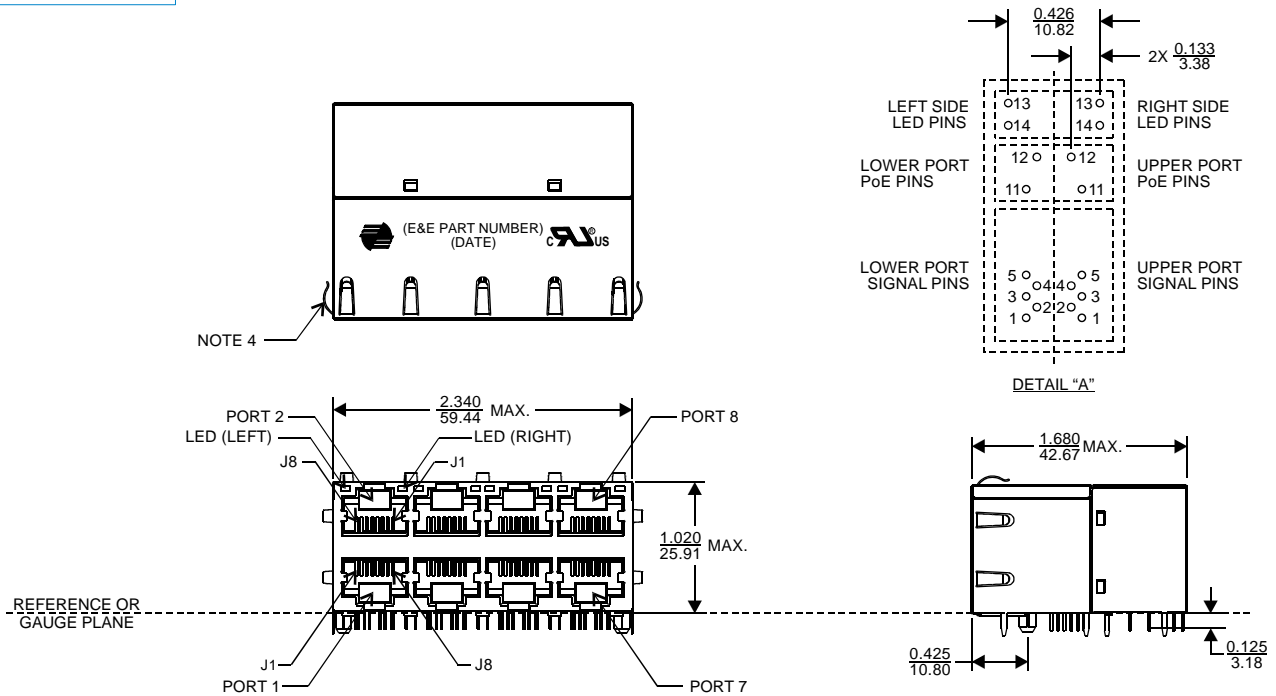
RoHS Part Number ¹	Turn Ratio (Chip : Cable) (±3%)		Configuration ²		LED ³ (Left / Right)	Mechanical Package	Schematic
	Tx	Rx	Tx	Rx			
MJF24N2DDA3-P7000	1CT:1CT	1CT:1CT	TS	TS	D / D	MJ24N-07C	P7000
MJF26N2DDA3-P7000	1CT:1CT	1CT:1CT	TS	TS	D / D	MJ26N-07C	P7000
MJF28N2DDA3-P7000	1CT:1CT	1CT:1CT	TS	TS	D / D	MJ28N-07C	P7000

Notes:

1. For different electrical and mechanical specifications, please contact E&E Magnetic Products Limited.
2. Core location are counted from PCB (Chip) side to Cable (Media) side, where:
"T" = Isolation transformer ; "S" = Shared Common-mode choke ;
3. LEDs (Left / Right) : "D" = Orange & Green bi-color (2 terminals type). For different LED color requirements, please contact E&E Magnetic Products Limited.
4. Panel tabs are optional.
5. All parts shown in this datasheet have gold plating thickness of 10 micro-inch (min.) over contact area.
Advance options including 30 micro-inch (min.) and 50 micro-inch (min.) are also available.

MECHANICAL DIMENSIONS

MJ24N-07C



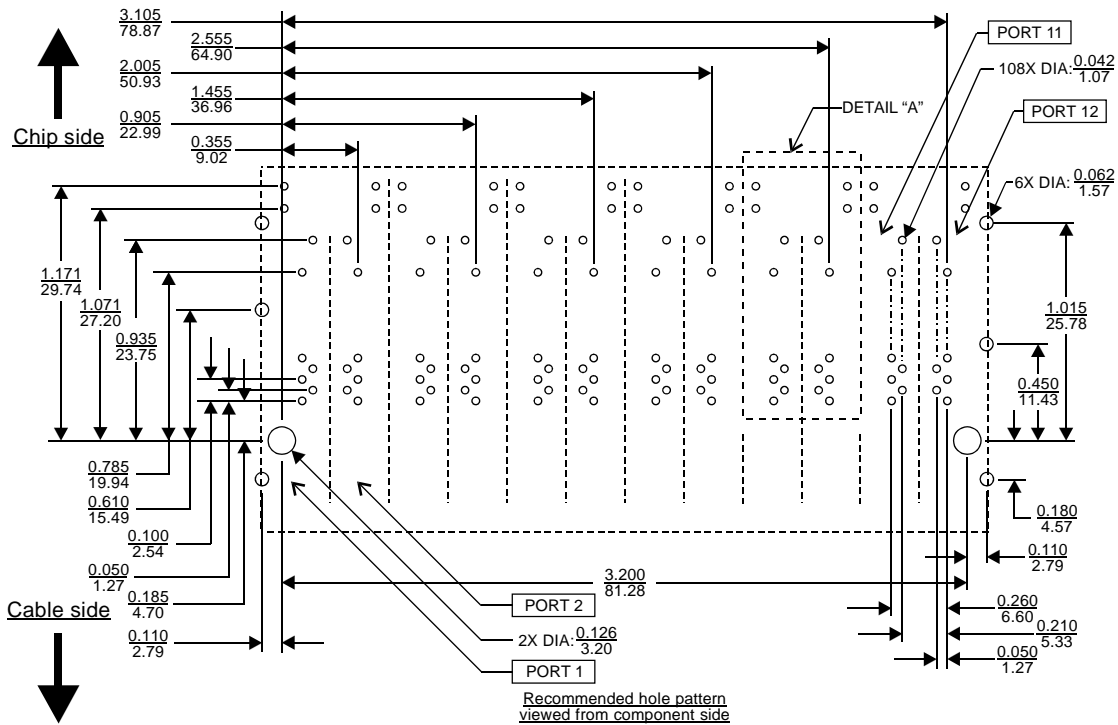
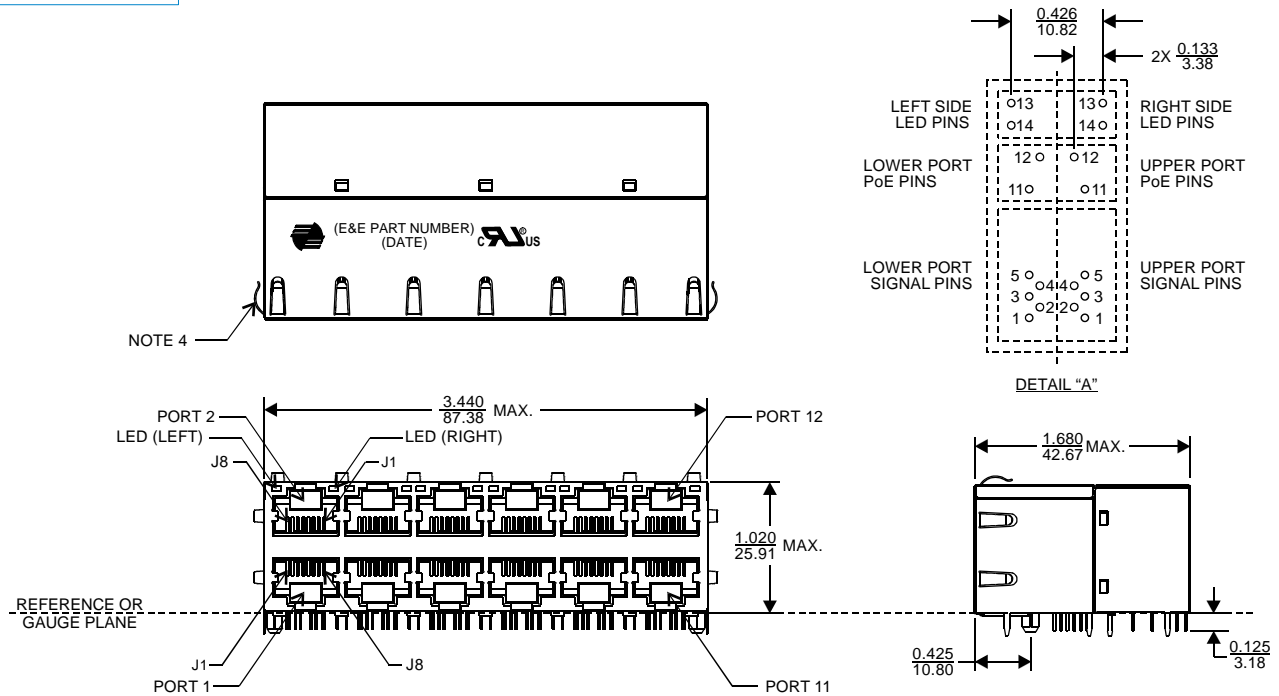
All dimensions are specified in $\frac{\text{inch}}{\text{mm}}$ with higher precedence in inch.

Unless otherwise specified, all tolerances are $\pm \frac{0.010}{0.25}$.



MECHANICAL DIMENSIONS

MJ26N-07C



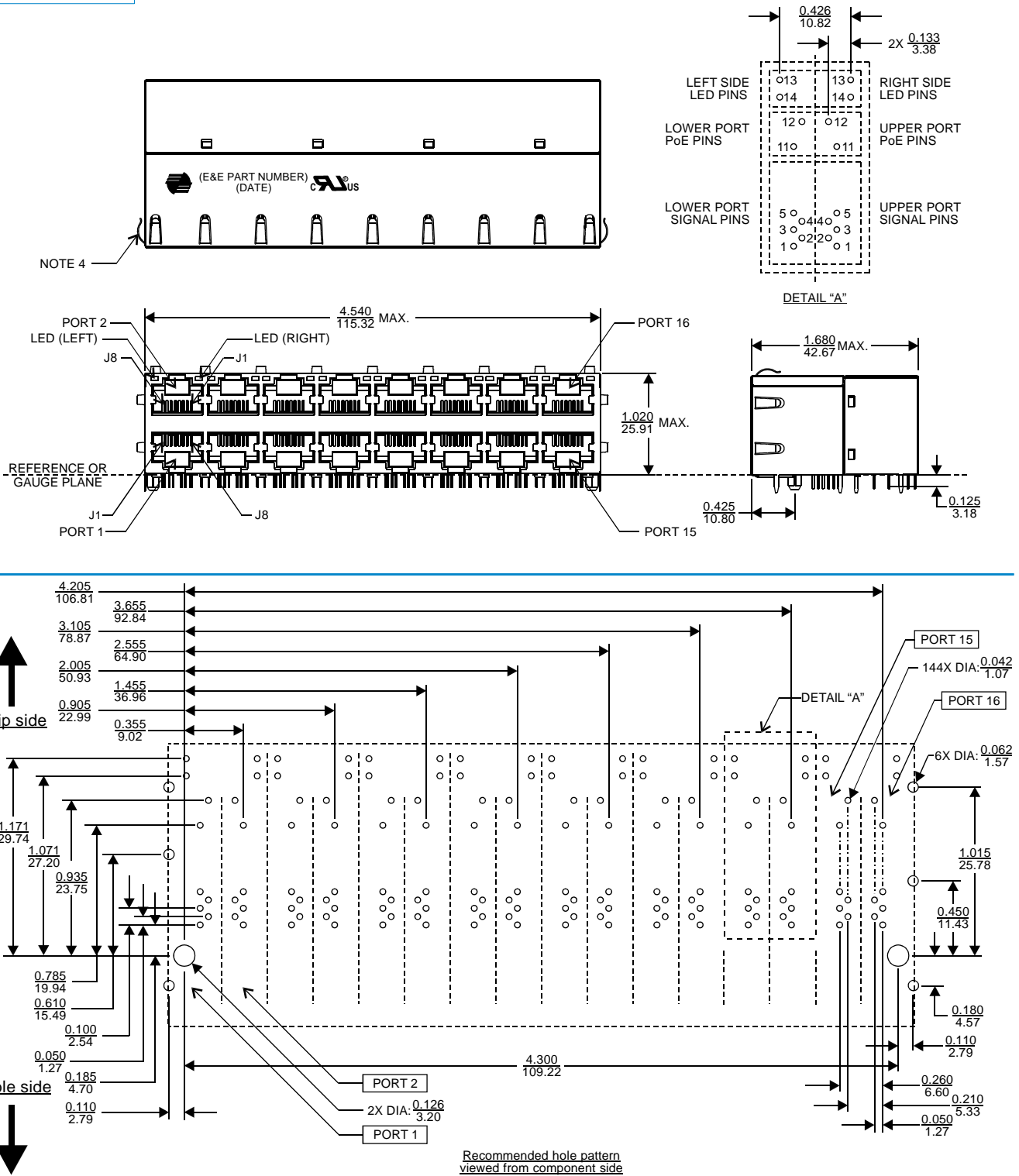
All dimensions are specified in $\frac{\text{inch}}{\text{mm}}$ with higher precedence in inch.

Unless otherwise specified, all tolerances are $\pm \frac{0.010}{0.25}$.



MECHANICAL DIMENSIONS

MJ28N-07C



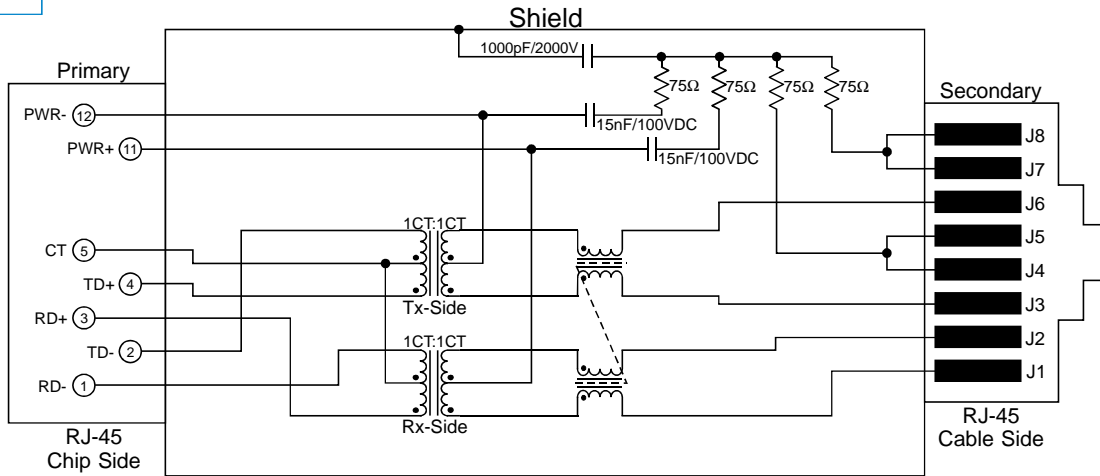
All dimensions are specified in $\frac{\text{inch}}{\text{mm}}$ with higher precedence in inch.

Unless otherwise specified, all tolerances are $\pm \frac{0.010}{0.25}$.

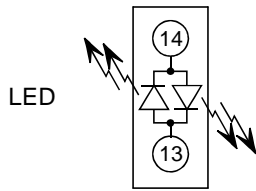


SCHEMATICS (EACH PORT)

P7000



LEDs COLOR AND POLARITY



COLOR	POLARITY		COLOR	POLARITY	
	PIN 13	PIN 14		PIN 14	PIN 13
GREEN	+	-	ORANGE	+	-

LED SPECIFICATION @25°C, FORWARD CURRENT = 20mA

Standard Color	Typical Wavelength (nm)	Forward Voltage (volt)
		Typical
Green	565	2.2
Orange	607	2.05

MATERIALS

Housing	Consist of thermoset & thermoplastic materials, all of them are UL 94-V0 rated.
Contact Pins ⁵	Phosphor bronze, plated with nickel under-plating and hard gold over contact area.
PCB Pins	Copper wire which meets solderability requirements per MIL-STD-202, method 208.

FOR MORE INFORMATION, PLEASE CONTACT

HEADQUARTER
2/F Block A, Merit Industrial Centre,
94 Tokwawan Road, Kowloon,
Hong Kong
Tel: (852) 2765 3888
Fax: (852) 2954 3304
Email: eempl@eleceltek.com
Website: <http://www.eleceltek.com>

Information herein is for reference only and subject to change without notice. It does not constitute any representation, warranty or commitment of the company in respect of the products in any aspect. All logos, brands and product names mentioned herein are trademarks or registered trademarks of their respective owners. The company does not assume any liability arising out of the application or use of any product or circuit described herein. Copyrights 2008, E & E Magnetic Products Limited.