

SEALED AGAINST DUST AND MOISTURE

The OTTO P5-V series switch gives you all the functionality of the P5 alternate action switch with the added benefit of an aluminum security level case and button or a stainless steel vandal proof case and button.

Push and the P5-V series switch holds "on" push again and the switch turns "off". Positive tactile feedback is featured so the operator is clearly aware the switch mode has been executed. The button returns to the original position after each actuation

To guard against front panel splash and dirt the P5-V series is sealed at the button with OTTO's patented rolling sleeve design. The terminals are sealed with epoxy, providing a seal against flux during wiring and behind panel dirt and moisture. The combination of sealing provides smooth operation over a wide temperature range. Watertight sealing to 1 meter (IP68) pressure is also available.

We are able to provide custom button engraving with epoxy ink backfill and other special characters, shrouded buttons, contact configurations and materials to suit your application requirements.

Quality Features:

- **Security (aluminum) and Vandal Proof (stainless steel) case and button**
- **Button sealed with patented "rolling sleeve" design**
- **Contact area sealed at case and terminals**
- **Watertight per IP68 (submersible to 1 meter water pressure)**
- **Less than 25 milliohms contact resistance**
- **Handles low level to 10 amperes**
- **1,000,000 mechanical cycles life**

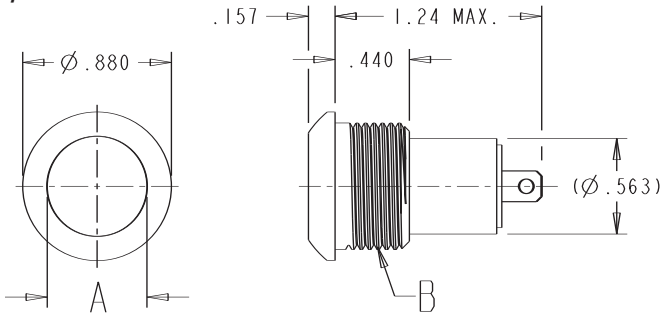


Standard Characteristics/Ratings:		
MATERIALS:		
Case:	Stainless Steel/Aluminum	
Button:	Stainless Steel/Aluminum	
Boot:	Internal seal is silicone rubber	
Electrical:	(at 28 VDC or 115 VAC, 60-400 Hz.)	
Load	Amperes	Life
Resistive	10	25,000
Inductive	5	25,000
Motor	3	25,000
Lamp	1	25,000
Dielectric Withstand: 1050 Vrms		
MATERIALS:		
Electrical Life:	25,000 cycles minimum	
Mechanical Life:	1,000,000 cycles	
Total Travel:	.180 inches max	
Overtravel:	.012 inches min	
Operating Force:	3 lbs. +1.0 - .05 lbs	
Moistureproof & Dusttight:	IP64 & MIL-PRF-8805 Design 2	
Watertight:	IP68, 1 meter	

SEALED AGAINST DUST AND MOISTURE

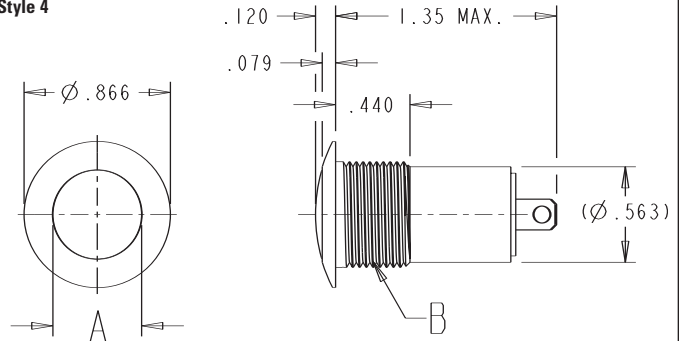
High Profile, Flat Button

Style 1



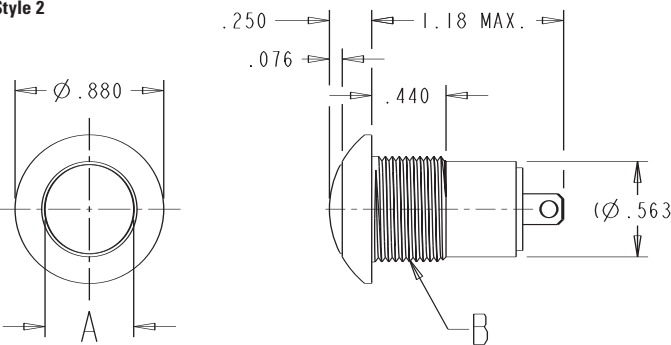
Low Profile, Curve Button

Style 4



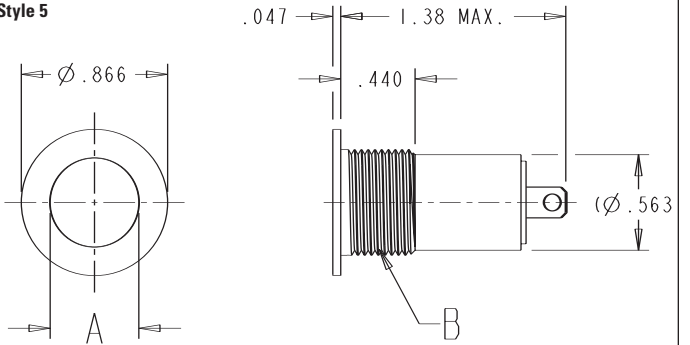
High Profile, Curve Button

Style 2



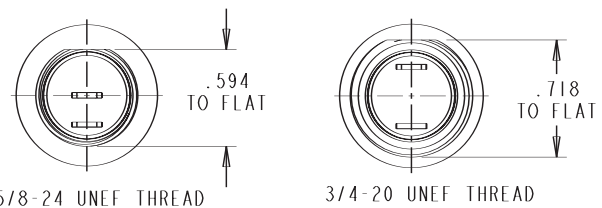
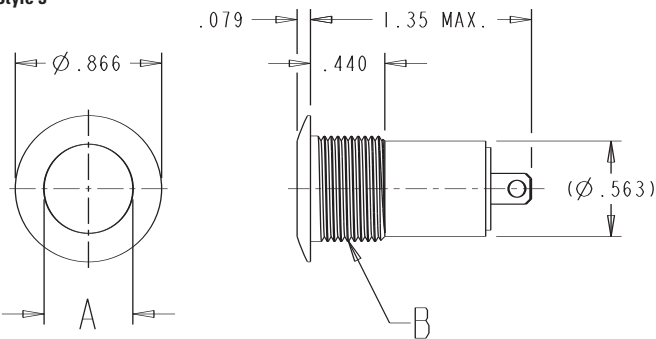
Flush Mount, Flat Button

Style 5



Low Profile, Flat Button

Style 3



Case Style		
Dimension	1 - 4	5 - 9
A (Button Dia.)	0.525	0.590
B (Thread)	.625-24 UNEF-2A	.750-20 UNEF-2A
D-Flat	0.594	0.718

P 5 - X X X X X X

Type	Thread	Terminal Style/ Bezel Color	Circuit Form/Contact Material	Seal	Button/Bezel Profile
V. Stainless A. Aluminum	<ol style="list-style-type: none"> 5/8-24 & Hex Nut 5/8-24 & Knurl Nut 5/8-24 W/D-Flat & Hex Nut 5/8-24 W/D-Flat & Knurl Nut 3/4-20 & Hex Nut 3/4-20 & Knurl Nut 3/4-20 W/D-Flat & Hex Nut 3/4-20 W/D-Flat & Knurl Nut 	<ol style="list-style-type: none"> Solder Terminal/Silver Screw Terminal/Silver^① Solder Terminal/Black^① Screw Terminal/Black^{①②} 	<ol style="list-style-type: none"> SPST/Silver SPST/Gold SPDT/Silver SPDT/Gold 	<ol style="list-style-type: none"> Dusttight Watertight 	<ol style="list-style-type: none"> High Profile/Flat Button High Profile/Curved Button Low Profile/Flat Button Low Profile-/Curved Button Flush Profile

^① Only Available on P5-A Styles
^② Screw terminals available on SPST circuits only