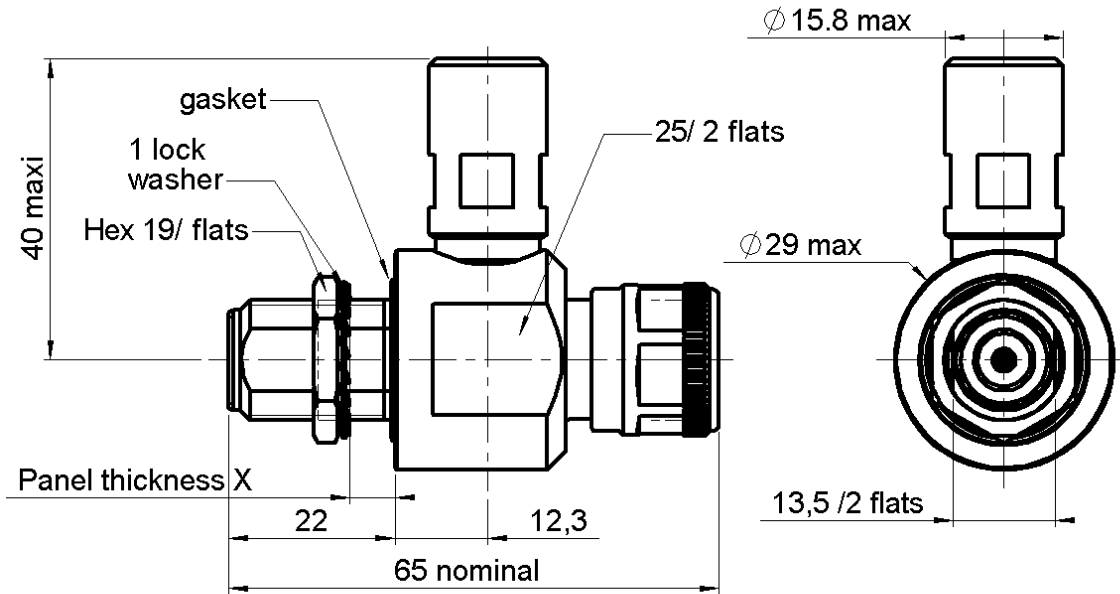


**QUARTER WAVE STUB 1710-1990 MHZ**

**BULKHEAD N F TO N M**

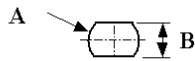
**R445.Q00.100**

Series : QWS



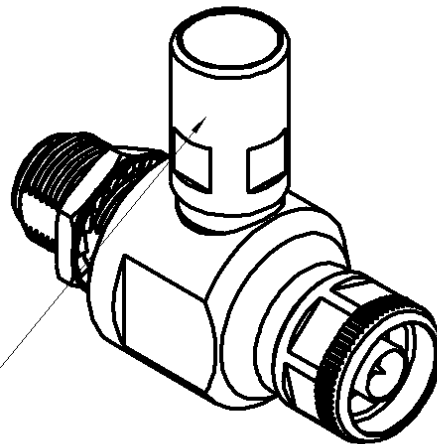
X mini = 1.5  
maxi = 6

**PANEL CUT OUT**



	mm	
	Maxi	mini
A	16.1	16
B	13.7	13.6

Etiquette LABEL  
RADIALL  
R445Q00100  
QWS 1710-1990 MHz  
Lot: An Se



All dimensions are in mm.



COMPONENTS	MATERIALS	PLATING (µm)
BODY	BRASS	BBR 0.5 OVER SILVER 3
CENTER CONTACT	BERYLLIUM COPPER, BRASS	BBR 0.5 OVER SILVER 3
OUTER CONTACT	BRASS	BBR 0.5 OVER SILVER 3
INSULATOR	PTFE	
GASKET	SILICONE RUBBER	
OTHERS PARTS	BRASS	BBR 2
-	-	-
-	-	-

Issue : 0642 A

In the effort to improve our products, we reserve the right to make changes judged to be necessary.



**QUARTER WAVE STUB 1710-1990 MHZ**

**R445.Q00.100**

**BULKHEAD N F TO N M**

Series : QWS

**PACKAGING**

Standard	Unit	Other
<b>1</b>	-	<b>Contact us</b>

**SPECIFICATION**

**ELECTRICAL CHARACTERISTICS**

**SURGE ARRESTER CAPSULE**

(Not supplied)

Impedance		<b>50</b> Ω
First frequency band	<b>1710</b> to <b>1990</b>	MHz
VSWR		<b>1.2</b> Maxi
Insertion loss		<b>0.2</b> dB Maxi
Second frequency band	<b>NA</b> to <b>NA</b>	MHz
VSWR		<b>NA</b> Maxi
Insertion loss		<b>NA</b> dB Maxi
RF leakage	- (	<b>100</b> - F(GHz)) dB Maxi
Residual Voltage	<b>15</b> V at	<b>2.5</b> kA (8/20µs test pulse waveform)
Intermodulation		<b>-110</b> dBm (2x20W)

Form	<b>NA</b>
Radiall part number :	<b>NA</b>
Recommended torque for nut	<b>NA</b> N.cm

**OTHER CHARACTERISTICS**

**MECHANICAL CHARACTERISTICS**

Protected connector	<b>N - FEMALE</b>
Unprotected connector	<b>N - MALE</b>
Center contact retention	
Axial force – Mating end	<b>27</b> N mini
Axial force – Opposite end	<b>27</b> N mini
Torque	<b>NA</b> N.cm mini
Recommended torque	
Mating (protected)	<b>NA</b> N.cm
Mating (unprotected)	<b>170</b> N.cm
Panel nut	<b>500</b> N.cm
Clamp nut	<b>NA</b> N.cm
A/F clamp nut	<b>0,0000</b> mm
Mating life	<b>500</b> Cycles mini
Weight	<b>186,2820</b> g

**ENVIRONMENTAL**

Operating temperature	<b>-40/+80</b> °C
Hermetic seal	<b>NA</b> Atm.cm <sup>3</sup> /s
Panel leakage	<b>IP67</b>

Issue : 0642 A

In the effort to improve our products, we reserve the right to make changes judged to be necessary.

