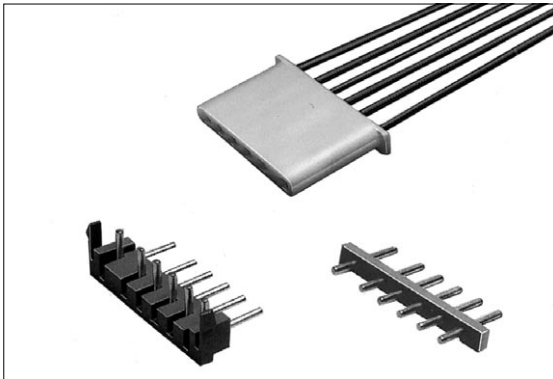


Crimp Connector

MI Series 5.0mm Spacing



■ Features

1. MI series connectors are crimp type connectors featuring pins set at 5.0mm spacing. Socket and plug connections for this model measure 23.5mm high and 5.7mm thick.
2. Straight plug-in designs for plugs in this connector series are available in 6 different pin types.

■ Specifications

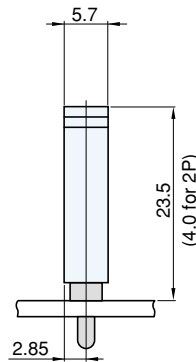
1. Rating : 5A 250V AC/DC
2. Contact Resistance : 20mΩ max.
3. Insulation Resistance : 1000MΩ min. at 500V DC
4. Withstanding Voltage : 1500V AC for one minute.
5. Operating Temperature : -25°C to +85°C
6. Applicable Wire Size : SWG18 to 24
7. Applicable PC Board Thickness : 1.6mm

■ Note

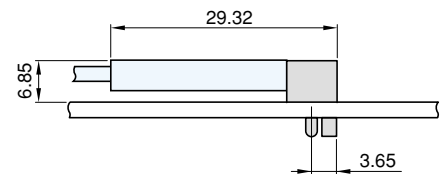
Custom made models will be available upon request.

■ Connection Diagram

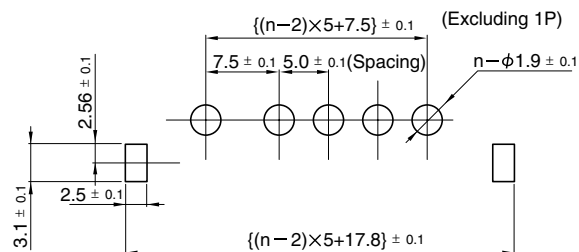
Straight Type



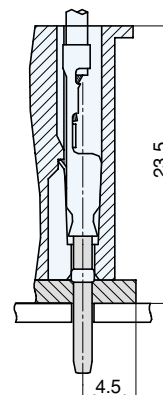
Right-Angle Type



■ Mounting Hole for PC Board

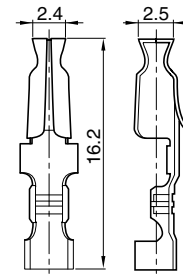


■ Structural Diagram



● Terminal

Part No.	Applicable Electrical Wire Size (AWG)	Electrical Wire Sheath Dia. (mm)	Material	Plating	No. of Terminal/Reel
W-T0502-11#01	18~24	ø3.0~1.0	Brass	Tinned (Reflow Treatment)	3000
W-T0504-11#01	20~24	ø2.7~0.9			

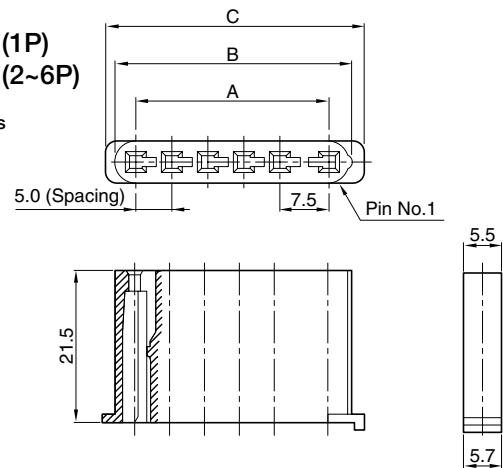


● Housing

□□ No. of Pins	Part No.	A	B	C
1	W-A5501-1N#02	—	7.0	10.25
2	W-A5002-1N#02	7.5	13.4	16.50
3	W-A5003-1N#02	12.5	18.4	21.50
4	W-A5004-1N#02	17.5	23.4	26.50
5	W-A5005-1N#02	22.5	28.4	31.50
6	W-A5006-1N#02	27.5	33.4	36.50

W-A55□□1N#02 (1P)
W-A50□□1N#02 (2~6P)

↑ No. of Pins



■ Material and Plating

- Housing : Polyamide (Natural Color) 94V-0

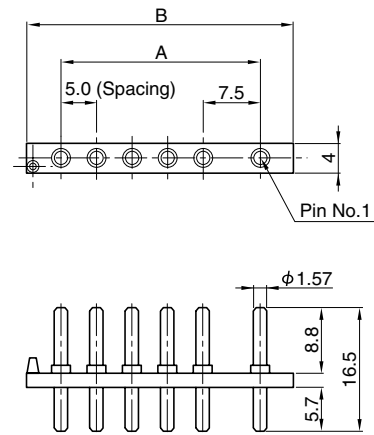
● Plug

□□ No. of Pins	Straight Type	Right-Angle Type	A	B	C
1	W-P3001#01	—	—	ø6.0	—
2	W-P3002#02	—	7.5	16.5	—
3	W-P3003#02	W-P6103#02	12.5	21.5	22.0
4	W-P3004#02	W-P6104#02	17.5	26.5	27.0
5	W-P3005#02	W-P6105#02	22.5	31.5	32.0
6	W-P3006#02	W-P6106#02	27.5	36.5	37.0

Straight Type

W-P30□□#01 (1P)
W-P30□□#02 (2~6P)

↑ No. of Pins



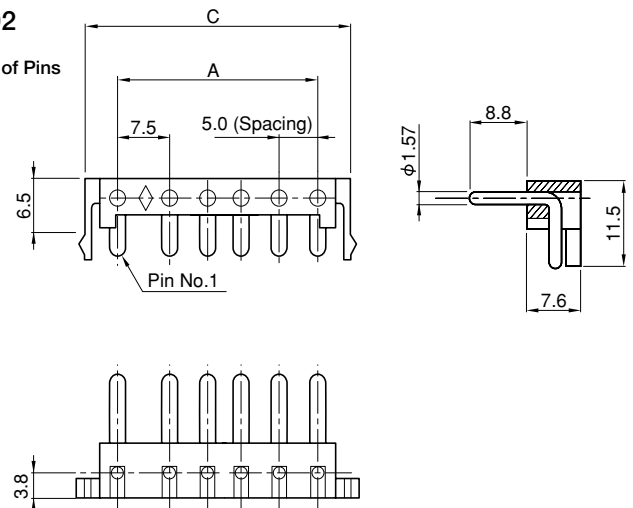
■ Material and Plating

- Housing : Polyamide (Natural Color) 94V-0
- Plug Pin : Brass Tin Plating (1P)
Silver Plating (2~6P)

Right-Angle Type

W-P61□□#02

↑ No. of Pins



■ Material and Plating

- Housing : Polyphenylene Oxide (Gray) 94V-1
- Plug Pin : Brass Tin Plating (3P)
Silver Plating (4~6P)