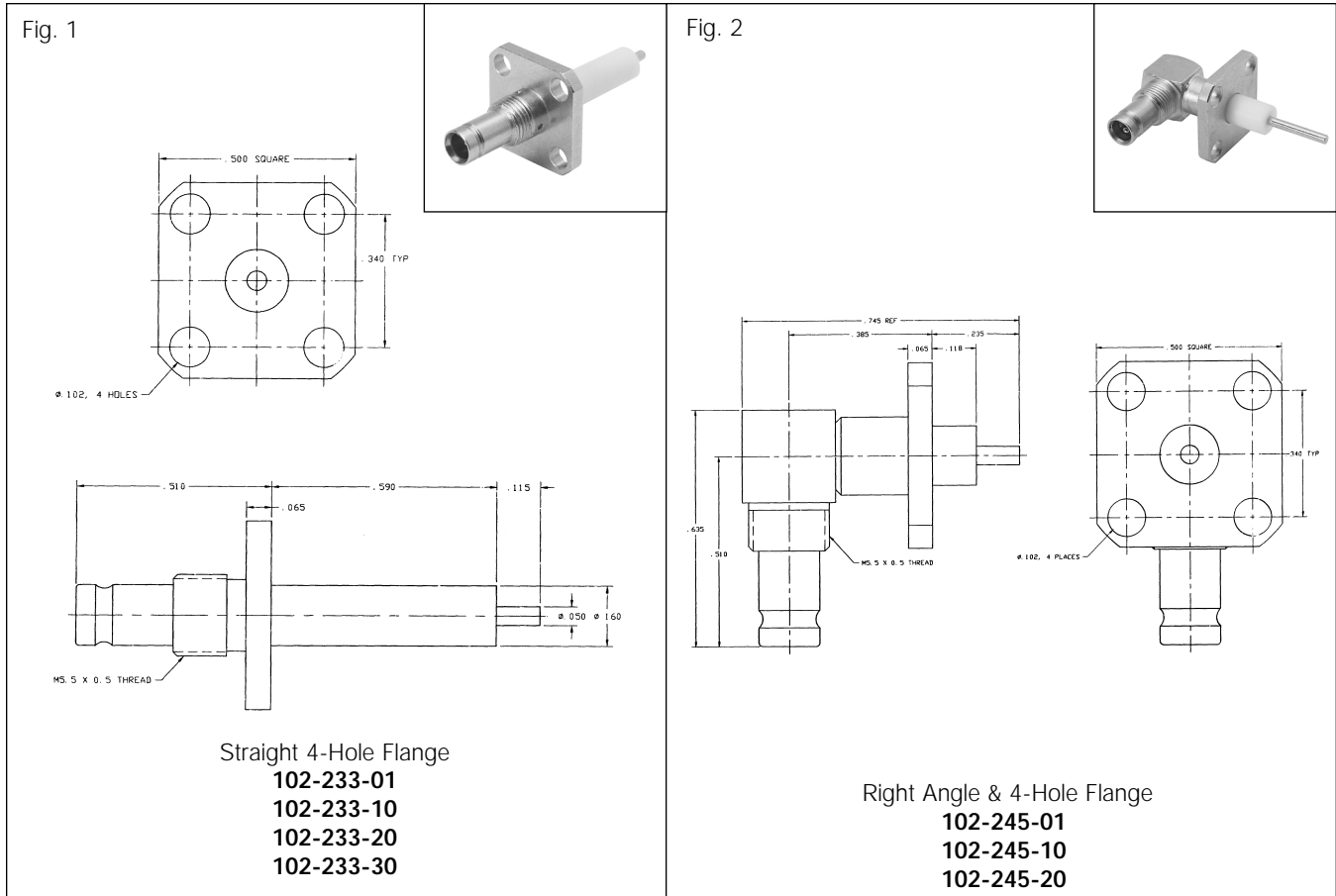


# 1.0/2.3 4-Hole Flange Jacks



## 1.0/2.3 4-HOLE FLANGE JACKS

Description	Terminal Type	Ins.	Dimensions, inches (mm)		Construction Notes	Amphenol Number	Fig
			a	b			
Straight 4-Hole Flange	Blunt Post	D1	.590	.705	Gold Plated	<a href="#">102-233-01</a>	1
Straight 4-Hole Flange	Blunt Post	D1	.240	.380	Gold Plated	<a href="#">102-233-10</a>	1
Straight 4-Hole Flange	Blunt Post	D1	.350	.490	Gold Plated	<a href="#">102-233-20</a>	1
Straight 4-Hole Flange	Blunt Post	D1	.170	.310	Gold Plated	<a href="#">102-233-30</a>	1
Right Angle 4-Hole Flange	Blunt Post	D1	.118	.235	Gold Plated	<a href="#">102-245-01</a>	2
Right Angle 4-Hole Flange	Blunt Post	D1	.210	.420	Gold Plated	<a href="#">102-245-10</a>	2
Right Angle 4-Hole Flange	Blunt Post	D1	.200	.550	Gold Plated	<a href="#">102-245-20</a>	2