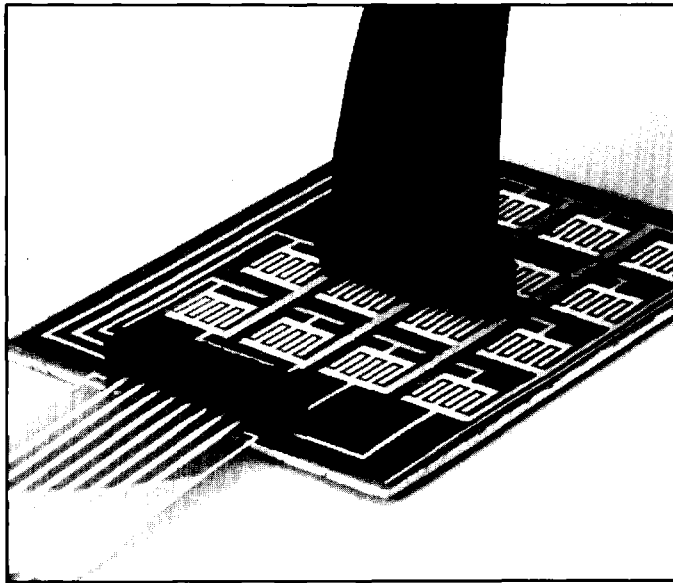


.100" (2.54mm) Flat Cable/Flex Circuit Connector



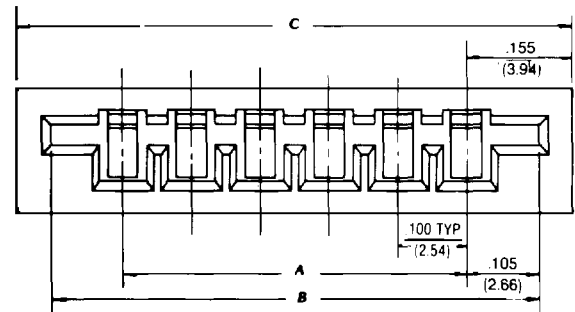
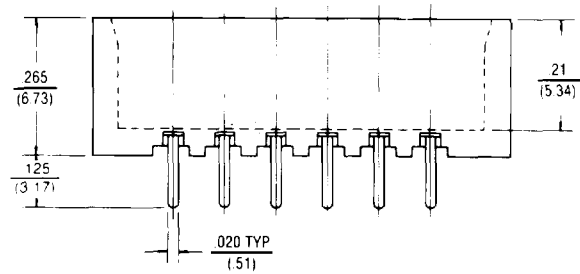
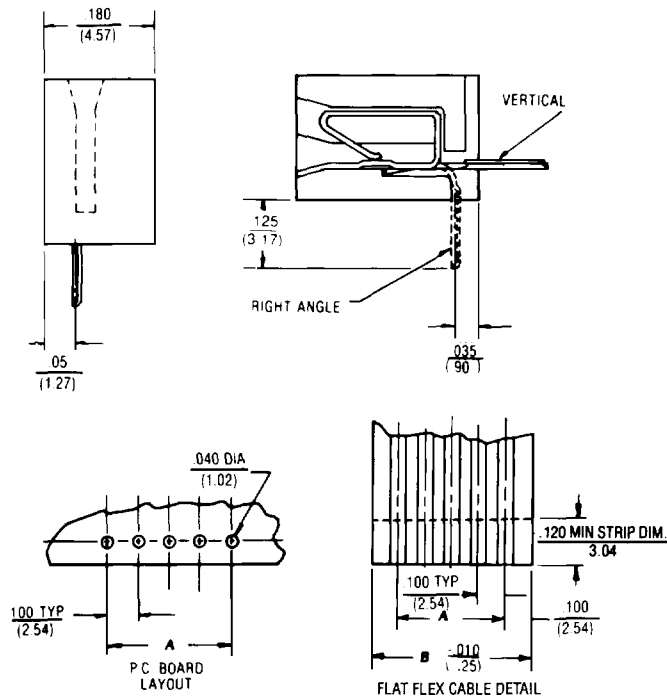
1230 Series

A .100 center P.C. board mount connector designed for use with .004"/.022" thick flat conductor, flat cable or flexible circuitry. Available in both right angle or vertical mount styles. Circuits may be used with the conductor up, or conductor down, due to the double faced contact design.

Insulator Material: Glass reinforced nylon
UL 94V-0 rated, color black

Contacts: Copper alloy, tin plated

D



PART NUMBER CODING

1230-XX-01-XX

MOUNTING

10 = VERTICAL (.004/.022 THICK CIRCUITRY)

20 = RIGHT ANGLE (.004/.022 THICK CIRCUITRY)

NUMBER OF POSITIONS (3-30)

| PART NUMBER | NO. OF POSITIONS | DIM A | DIM B | DIM C |
|---------------|------------------|---------------|---------------|---------------|
| 1230-03-01-XX | 3 | .200 (5.08) | .410 (10.41) | .510 (12.95) |
| 1230-04-01-XX | 4 | .300 (7.62) | .510 (12.95) | .610 (15.49) |
| 1230-05-01-XX | 5 | .400 (10.16) | .610 (15.49) | .710 (18.00) |
| 1230-06-01-XX | 6 | .500 (12.70) | .710 (18.03) | .810 (20.57) |
| 1230-07-01-XX | 7 | .600 (15.24) | .810 (20.57) | .910 (23.11) |
| 1230-08-01-XX | 8 | .700 (17.78) | .910 (23.11) | 1.010 (26.65) |
| 1230-09-01-XX | 9 | .800 (20.32) | 1.010 (25.65) | 1.110 (28.19) |
| 1230-10-01-XX | 10 | .900 (22.86) | 1.110 (28.19) | 1.210 (30.23) |
| 1230-11-01-XX | 11 | 1.000 (25.40) | 1.210 (30.73) | 1.310 (33.27) |
| 1230-12-01-XX | 12 | 1.100 (27.94) | 1.310 (33.02) | 1.410 (35.87) |
| 1230-13-01-XX | 13 | 1.200 (30.48) | 1.410 (35.87) | 1.510 (38.35) |
| 1230-14-01-XX | 14 | 1.300 (33.02) | 1.510 (38.35) | 1.610 (40.89) |
| 1230-15-01-XX | 15 | 1.400 (35.56) | 1.610 (40.89) | 1.710 (43.43) |
| 1230-16-01-XX | 16 | 1.500 (38.10) | 1.710 (43.43) | 1.810 (45.97) |
| 1230-17-01-XX | 17 | 1.600 (40.64) | 1.810 (45.97) | 1.910 (48.51) |
| 1230-18-01-XX | 18 | 1.700 (43.18) | 1.910 (48.51) | 2.010 (51.05) |
| 1230-19-01-XX | 19 | 1.800 (45.72) | 2.010 (51.05) | 2.110 (53.59) |
| 1230-20-01-XX | 20 | 1.900 (48.26) | 2.110 (53.59) | 2.210 (56.13) |
| 1230-21-01-XX | 21 | 1.900 (48.26) | 2.210 (56.13) | 2.310 (58.67) |

Available through 30 positions.
Contact factory for ordering information.