

SPECIFICATIONS

Mechanical

Contact Retention Force: 0.50Kg min.

Electrical

Voltage Rating: 750V

Current Rating: 1A

Contact Resistance: 55mΩ max.

Dielectrical Withstanding Voltage: 1000V

Insulation Resistance: 1000MΩ min.

Physical

Housing: LCP, UL 94-0 rated, Ivory White

Contact: Phosphor Bronze

Plating: See "ORDERING INFORMATION"

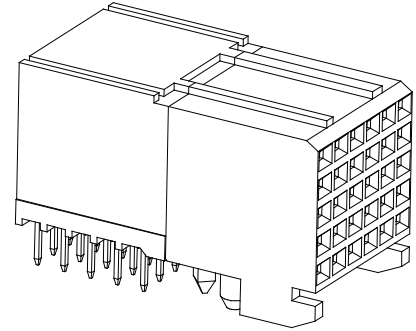
FUTURE BUS CONNECTOR

1F Series

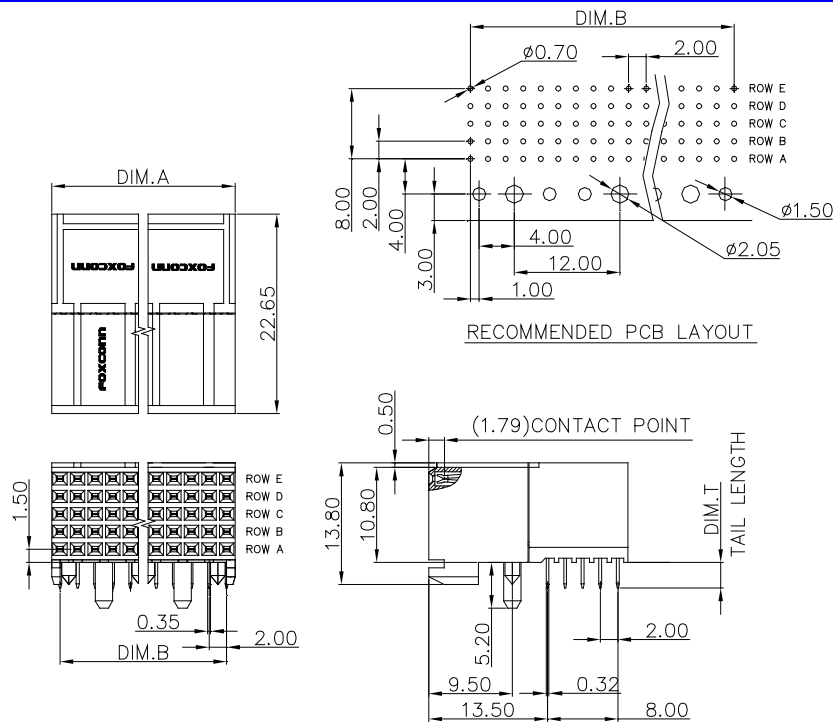
Rec. Solder Type

2.0mm Pitch

5 Rows



DRAWING



ORDERING INFORMATION

PRODUCT NO.: 1 F 2 2 * * * * - S * 0 4 0 * - * *

POS. NO.:
 030=030 pos.
 060=060 pos.
 120=120 pos.
 240=240 pos.
 Mating Area Plating:
 1=GOLD FLASH
 3=0.76um(30u")MIN. GOLD PLATING
 5=1.27um(50u")MIN. GOLD PLATING
 6=0.25um(10u")MIN. GOLD PLATING
 A=0.76um(30u")MIN. FPT PLATING,
 0.25um(10u")MIN. GOLD INCLUDED
 D=1.27um(50u")MIN. FPT PLATING
 0.25um(10u")MIN. GOLD INCLUDED

Lead Free Code:
 N=None
 F=Lead Free
 Package Type:
 A=Tube
 Extension Code:
 N,T,L,M
 Body Style
 40=Heat Stake Post
 Tail Length(DIM.T)
 1=2.90mm
 2=2.73mm
 3=3.53mm
 Tail Style:
 S=Solder Type

1F22030*-S*040*-.**	30	11.90	10.00
1F22060*-S*040*-.**	60	23.90	22.00
1F22120*-S*040*-.**	120	47.90	46.00
1F22240*-S*040*-.**	240	95.90	94.00
P/N	POS.	DIM. A	DIM. B