

CKT. SIZE	DIM. A		SEE TO CHART		DIM. B REF.	
	(MM)	(INCH)	(MM)	(INCH)	(MM)	(INCH)
2	(2.54)	.100	(4.83)	(.190)		
3	(5.08)	.200	(7.37)	(.290)		
4	(7.62)	.300	(9.91)	(.390)		
5	(10.16)	.400	(12.45)	(.490)		
6	(12.70)	.500	(14.99)	(.590)		
7	(15.24)	.600	(17.53)	(.690)		
8	(17.78)	.700	(20.07)	(.790)		
9	(20.32)	.800	(22.61)	(.890)		
10	(22.86)	.900	(25.15)	(.990)		
11	(25.40)	1.000	(27.69)	(1.090)		
12	(27.94)	1.100	(30.23)	(1.190)		
13	(30.48)	1.200	(32.77)	(1.290)		
14	(33.02)	1.300	(35.31)	(1.390)		
15	(35.56)	1.400	(37.85)	(1.490)		
16	(38.10)	1.500	(40.39)	(1.590)		
17	(40.64)	1.600	(42.93)	(1.690)		
18	(43.18)	1.700	(45.47)	(1.790)		
19	(45.72)	1.800	(48.01)	(1.890)		
20	(48.26)	1.900	(50.55)	(1.990)		
21	(50.80)	2.000	(53.09)	(2.090)		
22	(53.34)	2.100	(55.63)	(2.190)		
23	(55.88)	2.200	(58.17)	(2.290)		
24	(58.42)	2.300	(60.71)	(2.390)		
25	(60.96)	2.400	(63.25)	(2.490)		
26	(63.50)	2.500	(65.79)	(2.590)		
27	(66.04)	2.600	(68.33)	(2.690)		
28	(68.58)	2.700	(70.87)	(2.790)		
29	(71.12)	2.800	(73.41)	(2.890)		
30	(73.66)	2.900	(75.95)	(2.990)		
31	(76.20)	3.000	(78.49)	(3.090)		
32	(78.74)	3.100	(81.03)	(3.190)		
33	(81.28)	3.200	(83.57)	(3.290)		
34	(83.82)	3.300	(86.11)	(3.390)		
35	(86.36)	3.400	(88.65)	(3.490)		
36	(88.90)	3.500	(91.19)	(3.590)		
37	(91.44)	3.600	(93.73)	(3.690)		
38	(93.98)	3.700	(96.27)	(3.790)		
39	(96.52)	3.800	(98.81)	(3.890)		
40	(99.06)	3.900	(101.35)	(3.990)		

70344-\*\*\*

0001 THRU 5000= PARTS WITHOUT VOIDS  
5001 THRU 9999 = PARTS WITH VOIDS

RIGHT ANGLE HEADER ASSEMBLY  
.100 CENTERS BREAKAWAY

MOLEX INCORPORATED  
1000 W. LINDEN AVE. LITTLE ROCK, AR 72114-5001

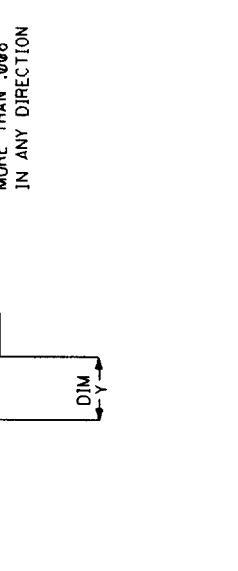
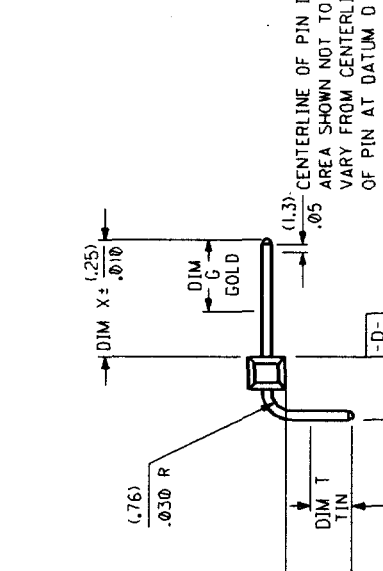
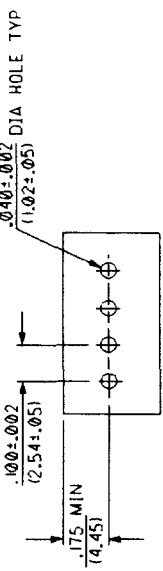
SEE CHART

REVISIONS

REV	DATE	BY	REVISIONS
S1	ADD/REL 2008/2003	R	REV 0400 0399 ECR 110516 3-2-93 SAMIEC
S	REV PLTE ECR 1005982 5-18-93 SAMIEC	P	TRANSFER TO COM ECR 1005986 10-9-90 SAMIEC
R1	ADD/REL 0481/0520 6 SHT 4 PER ECR 1005987 10-9-90 SJS	N5	ADDED - 12/17/02 PER ECR 30229 07-31-90 BUS/DJK

DISCREPANCY SHOW METRIC DIMENSIONS UNLESS OTHERWISE SPECIFIED  
TOLERANCES UNLESS OTHERWISE SPECIFIED

DATE: 10/18/00  
TIME: 02:58 PM  
PAGE: 3 OF 5



- NOTES:
1. WAFERS TO BE FLAT WITHIN .005 IN./IN.
  2. PIN PUSHOUT FORCE 2 LBS. MIN.
  3. PIN SOLDERABILITY PER E.S. 152 REQUIREMENTS EXCEPT VOIDS PERMISSIBLE AT BANDOLIER PIN FAYING SURFACE.
  4. WAFER ASSEMBLY MUST SEAT ON GAGE GX-4030.
  5. (.127)/.050 MAX. AFTER CUT-OFF. (BOTH ENDS)

MATERIAL:  
WAFER- 20% GLASS FILLED NYLON COLOR : BLACK

PLATINGS: PER SDES-88

(164) TIN/LEAD .000150 MIN OVER .000050 MIN NICKEL

(571) SELECT GOLD .000015 MIN SELECT TIN-LEAD .000075 MIN OVER .000050 MIN NICKEL

(574) SELECT GOLD .000030 MIN SELECT TIN-LEAD .000075 MIN OVER .000050 MIN NICKEL

NO. OF CKTS.	ENGINEERING PART NO.	BANDOLIER PIN A-	DIM. L REF.	DIM. X	DIM. Y	DIM. Z	DIM. G GOLD	DIM. T TIN	PKG. SPEC. PK-70873	VOID PINS	ENGINEERING PART NO.	BANDOLIER PIN A-	DIM. L REF.	DIM. X	DIM. Y	DIM. Z	DIM. G GOLD	DIM. T TIN	PKG. SPEC. PK-70873	VOID PINS	
	0001/-0040	40497-57A164	.545 (13.84)	.240 (6.10)	.173 (4.39)	.120 (3.05)		OVERALL	BULK		0121/-0160	40497-03B164	.587 (17.45)	.320 (8.13)	.173 (4.39)	.182 (4.63)		OVERALL	BULK		
	0041/-0080	40497-70A164	.610 (15.49)	.240 (6.10)	.173 (4.39)	.185 (4.70)		OVERALL	BULK		0161/-0200	40497-57A571	.545 (13.84)	.240 (6.10)	.173 (4.39)	.120 (3.05)		.050 (1.27)	BULK		
	00081/-0120	40497-28B164	.625 (15.88)	.320 (8.13)	.173 (4.39)	.120 (3.05)		OVERALL	BULK		0201/-0240	40497-70A571	.610 (15.49)	.240 (6.10)	.185 (4.70)	.173 (4.39)		.050 (1.27)	BULK		
NO. OF CKTS.	ENGINEERING PART NO.	BANDOLIER PIN A-	ENG. NO.	PART NO.	ENG. NO.	PART NO.	ENG. NO.	PART NO.	ENG. NO.	PART NO.	ENG. NO.	BANDOLIER PIN A-	ENG. NO.	PART NO.	ENG. NO.	PART NO.	ENG. NO.	PART NO.	ENG. NO.	PART NO.	ENG. NO.
	1	22-59-1302	A-70344-0001	22-59-1202	A-70344-0041	22-59-1102	A-70344-0081	22-59-1002	A-70344-0121	22-12-5302	A-70344-0161	22-59-1003	A-70344-0162	22-12-5303	A-70344-0163	22-12-5202	A-70344-0201	22-12-5202	A-70344-0201	22-12-5202	A-70344-0201
	2	22-59-1303	A-70344-0002	22-59-1203	A-70344-0042	22-59-1103	A-70344-0082	22-59-1003	A-70344-0122	22-12-5303	A-70344-0162	22-59-1004	A-70344-0123	22-12-5304	A-70344-0163	22-12-5203	A-70344-0202	22-12-5203	A-70344-0202	22-12-5203	A-70344-0202
	3	22-59-1304	A-70344-0003	22-59-1204	A-70344-0043	22-59-1104	A-70344-0083	22-59-1004	A-70344-0123	22-12-5304	A-70344-0163	22-59-1005	A-70344-0124	22-12-5305	A-70344-0164	22-12-5204	A-70344-0203	22-12-5204	A-70344-0203	22-12-5204	A-70344-0203
	4	22-59-1305	A-70344-0004	22-59-1205	A-70344-0044	22-59-1105	A-70344-0084	22-59-1005	A-70344-0124	22-12-5305	A-70344-0164	22-59-1006	A-70344-0125	22-12-5306	A-70344-0165	22-12-5205	A-70344-0204	22-12-5205	A-70344-0204	22-12-5205	A-70344-0204
	5	22-59-1306	A-70344-0005	22-59-1206	A-70344-0045	22-59-1106	A-70344-0085	22-59-1006	A-70344-0125	22-12-5306	A-70344-0165	22-59-1007	A-70344-0126	22-12-5307	A-70344-0166	22-12-5206	A-70344-0205	22-12-5206	A-70344-0205	22-12-5206	A-70344-0205
	6	22-59-1307	A-70344-0006	22-59-1207	A-70344-0046	22-59-1107	A-70344-0086	22-59-1007	A-70344-0126	22-12-5307	A-70344-0166	22-59-1008	A-70344-0127	22-12-5308	A-70344-0167	22-12-5207	A-70344-0206	22-12-5207	A-70344-0206	22-12-5207	A-70344-0206
	7	22-59-1308	A-70344-0007	22-59-1208	A-70344-0047	22-59-1108	A-70344-0087	22-59-1008	A-70344-0127	22-12-5308	A-70344-0167	22-59-1009	A-70344-0128	22-12-5309	A-70344-0168	22-12-5208	A-70344-0207	22-12-5208	A-70344-0207	22-12-5208	A-70344-0207
	8	22-59-1309	A-70344-0008	22-59-1209	A-70344-0048	22-59-1109	A-70344-0088	22-59-1009	A-70344-0128	22-12-5309	A-70344-0168	22-59-1010	A-70344-0129	22-12-5310	A-70344-0169	22-12-5209	A-70344-0208	22-12-5209	A-70344-0208	22-12-5209	A-70344-0208
	9	22-59-1310	A-70344-0009	22-59-1210	A-70344-0049	22-59-1110	A-70344-0089	22-59-1010	A-70344-0129	22-12-5310	A-70344-0169	22-59-1011	A-70344-0130	22-12-5311	A-70344-0170	22-12-5210	A-70344-0209	22-12-5210	A-70344-0209	22-12-5210	A-70344-0209
	10	22-59-1311	A-70344-0010	22-59-1211	A-70344-0051	22-59-1111	A-70344-0091	22-59-1011	A-70344-0130	22-12-5311	A-70344-0170	22-59-1012	A-70344-0131	22-12-5312	A-70344-0171	22-12-5211	A-70344-0210	22-12-5211	A-70344-0210	22-12-5211	A-70344-0210
	11	22-59-1312	A-70344-0011	22-59-1212	A-70344-0052	22-59-1112	A-70344-0092	22-59-1012	A-70344-0131	22-12-5312	A-70344-0171	22-59-1013	A-70344-0132	22-12-5313	A-70344-0172	22-12-5212	A-70344-0211	22-12-5212	A-70344-0211	22-12-5212	A-70344-0211
	12	22-59-1313	A-70344-0012	22-59-1213	A-70344-0053	22-59-1113	A-70344-0093	22-59-1013	A-70344-0132	22-12-5313	A-70344-0172	22-59-1014	A-70344-0133	22-12-5314	A-70344-0173	22-12-5213	A-70344-0212	22-12-5213	A-70344-0212	22-12-5213	A-70344-0212
	13	22-59-1314	A-70344-0013	22-59-1214	A-70344-0054	22-59-1114	A-70344-0094	22-59-1014	A-70344-0133	22-12-5314	A-70344-0173	22-59-1015	A-70344-0134	22-12-5315	A-70344-0174	22-12-5214	A-70344-0213	22-12-5214	A-70344-0213	22-12-5214	A-70344-0213
	14	22-59-1315	A-70344-0014	22-59-1215	A-70344-0055	22-59-1115	A-70344-0095	22-59-1015	A-70344-0134	22-12-5315	A-70344-0174	22-59-1016	A-70344-0135	22-12-5316	A-70344-0175	22-12-5215	A-70344-0214	22-12-5215	A-70344-0214	22-12-5215	A-70344-0214
	15	22-59-1316	A-70344-0015	22-59-1216	A-70344-0056	22-59-1116	A-70344-0096	22-59-1016	A-70344-0135	22-12-5316	A-70344-0175	22-59-1017	A-70344-0136	22-12-5317	A-70344-0176	22-12-5216	A-70344-0215	22-12-5216	A-70344-0215	22-12-5216	A-70344-0215
	16	22-59-1317	A-70344-0016	22-59-1217	A-70344-0057	22-59-1117	A-70344-0097	22-59-1017	A-70344-0136	22-12-5317	A-70344-0176	22-59-1018	A-70344-0137	22-12-5318	A-70344-0177	22-12-5217	A-70344-0216	22-12-5217	A-70344-0216	22-12-5217	A-70344-0216
	17	22-59-1318	A-70344-0017	22-59-1218	A-70344-0058	22-59-1118	A-70344-0098	22-59-1018	A-70344-0137	22-12-5318	A-70344-0177	22-59-1019	A-70344-0138	22-12-5319	A-70344-0178	22-12-5218	A-70344-0217	22-12-5218	A-70344-0217	22-12-5218	A-70344-0217
	18	22-59-1319	A-70344-0018	22-59-1219	A-70344-0059	22-59-1119	A-70344-0099	22-59-1019	A-70344-0138	22-12-5319	A-70344-0178	22-59-1020	A-70344-0139	22-12-5320	A-70344-0179	22-12-5219	A-70344-0218	22-12-5219	A-70344-0218	22-12-5219	A-70344-0218
	19	22-59-1320	A-70344-0019	22-59-1220	A-70344-0060	22-59-1120	A-70344-0100	22-59-1020	A-70344-0139	22-12-5320	A-70344-0179	22-59-1021	A-70344-0140	22-12-5321	A-70344-0180	22-12-5220	A-70344-0219	22-12-5220	A-70344-0219	22-12-5220	A-70344-0219
	20	22-59-1321	A-70344-0020	22-59-1221	A-70344-0061	22-59-1121	A-70344-0101	22-59-1021	A-70344-0140	22-12-5321	A-70344-0180	22-59-1022	A-70344-0141	22-12-5322	A-70344-0181	22-12-5221	A-70344-0220	22-12-5221	A-70344-0220	22-12-5221	A-70344-0220
	21	22-59-1322	A-70344-0021	22-59-1222	A-70344-0062	22-59-1122	A-70344-0102	22-59-1022	A-70344-0141	22-12-5322	A-70344-0181	22-59-1023	A-70344-0142	22-12-5323	A-70344-0182	22-12-5222	A-70344-0221	22-12-5222	A-70344-0221	22-12-5222	A-70344-0221
	22	22-59-1323	A-70344-0022	22-59-1223	A-70344-0063	22-59-1123	A-70344-0103	22-59-1023	A-70344-0142	22-12-5323	A-70344-0182	22-59-1024	A-70344-0143	22-12-5324	A-70344-0183	22-12-5223	A-70344-0222	22-12-5223	A-70344-0222	22-12-5223	A-70344-0222
	23	22-59-1324	A-70344-0023	22-59-1224	A-70344-0064	22-59-1124	A-70344-0104	22-59-1024	A-70344-0143	22-12-5324	A-70344-0183	22-59-1025	A-70344-0144	22-12-5325	A-70344-0184	22-12-5224	A-70344-0223	22-12-5224	A-70344-0223	22-12-5224	A-70344-0223
	24	22-59-1325	A-70344-0024	22-59-1225	A-70344-0065	22-59-1125	A-70344-0105	22-59-1025	A-70344-0144	22-12-5325	A-70344-0184	22-59-1026	A-70344-0145	22-12-5326	A-70344-0185	22-12-5225	A-70344-0224	22-12-5225	A-70344-0224	22-12-5225	A-70344-0224
	25	22-59-1326	A-70344-0025	22-59-1226	A-70344-0066	22-59-1126	A-70344-0106	22-59-1026	A-70344-0145	22-12-5326	A-70344-0185	22-59-1027	A-70344-0146	22-12-5327	A-70344-0186	22-12-5226	A-70344-0225	22-12-5226	A-70344-0225	22-12-5226	A-70344-0225
	26	22-59-1327	A-70344-0026	22-59-1227	A-70344-0067	22-59-1127	A-70344-0107	22-59-1027	A-70344-0146	22-12-5327	A-70344-0186	22-59-1028	A-70344-0147	22-12-5328	A-70344-0187	22-12-5227	A-70344-0226	22-12-5227	A-70344-0226	22-12-5227	A-70344-0226
	27	22-59-1328	A-70344-0027	22-59-1228	A-70344-0068	22-59-1128	A-70344-0108	22-59-1028	A-70344-0147	22-12-5328	A-70344-0187	22-59-1029	A-70344-0148	22-12-5329	A-70344-0188	22-12-5228	A-70344-0227	22-12-5228	A-70344-0227	22-12-5228	A-70344-0227
	28	22-59-1329	A-70344-0028	22-59-1229	A-70344-0069	22-59-1129	A-70344-0109	22-59-1029	A-70344-0148	22-12-5329	A-70344-0188	22-59-1030	A-70344-0149	22-12-5330	A-70344-0189	22-12-5229	A-70344-0228	22-12-5229	A-70344-0228	22-12-5229	A-70344-0228
	29	22-59-1330	A-70344-0029	22-59-1230	A-70344-0070	22-59-1130	A-70344-0110	22-59-1030	A-70344-0149	22-12-5330	A-70344-0189	22-59-1031	A-70344-0150	22-12-5331	A-70344-0190	22-12-5230	A-70344-0229	22-12-5230	A-70344-0229	22-12-5230	A-70344-0229
	30	22-59-1331	A-70344-0030	22-59-1231	A-70344-0071	22-59-1131	A-70344-0111	22-59-1031	A-70344-0150	22-12-5331	A-70344-0190	22-59-1032	A-70344-0151	22-12-5332	A-70344-0191	22-12-5231	A-70344-0230	22-12-5231	A-70344-0230	22-12-5231	A-70344-0230
	31	22-59-1332	A-70344-0031	22-59-1232	A-70344-0072	22-59-1132	A-70344-0112	22-59-1032	A-70344-0151	22-12-5332	A-70344-0191	22-59-1033	A-70344-0152	22-12-5333	A-70344-0192	22-12-5232	A-70344-0231	22-12-5232	A-70344-0231	22-12-5232	A-70344-0231
	32	22-59-1333	A-70344-0032	22-59-1233	A-70344-0073	22-59-1133	A-70344-0113	22-59-1033	A-70344-0152	22-12-5333											

NO. OF CKTS.	ENGINEERING PART NO.		BANDOLIER PIN		DIM. L REF.	DIM. X	DIM. Z	DIM. Y	DIM. GOLD	DIM. T TIN	PKG. SPEC. PK-70873	VOID PINS
	PART NO.	ENG. NO.	A-	40497-								
1	22-12-5102	A-70344-0241	A-70344-0281	A-70344-0281	.625 (15.88)	.320 (8.13)	.120 (3.05)	.173 (4.39)	.180 (4.57)	.050 (1.27)	BULK	
2	22-12-5103	A-70344-0242	A-70344-0282	A-70344-0282	.687 (17.45)	.320 (8.13)	.182 (4.63)	.173 (4.39)	.180 (4.57)	.050 (1.27)	BULK	
3	22-12-5104	A-70344-0243	A-70344-0283	A-70344-0283	.545 (13.84)	.240 (6.10)	.120 (3.05)	.173 (4.39)	.180 (4.57)	.050 (1.27)	BULK	
4	22-12-5105	A-70344-0244	A-70344-0284	A-70344-0284								
5	22-12-5106	A-70344-0245	A-70344-0285	A-70344-0285								
6	22-12-5107	A-70344-0246	A-70344-0286	A-70344-0286								
7	22-12-5108	A-70344-0247	A-70344-0287	A-70344-0287								
8	22-12-5109	A-70344-0248	A-70344-0288	A-70344-0288								
9	22-12-5110	A-70344-0249	A-70344-0289	A-70344-0289								
10	22-12-5111	A-70344-0250	A-70344-0290	A-70344-0290								
11	22-12-5112	A-70344-0251	A-70344-0291	A-70344-0291								
12	22-12-5113	A-70344-0252	A-70344-0292	A-70344-0292								
13	22-12-5114	A-70344-0253	A-70344-0293	A-70344-0293								
14	22-12-5115	A-70344-0254	A-70344-0294	A-70344-0294								
15	22-12-5116	A-70344-0255	A-70344-0295	A-70344-0295								
16	22-12-5117	A-70344-0256	A-70344-0296	A-70344-0296								
17	22-12-5118	A-70344-0257	A-70344-0297	A-70344-0297								
18	22-12-5119	A-70344-0258	A-70344-0298	A-70344-0298								
19	22-12-5120	A-70344-0259	A-70344-0299	A-70344-0299								
20	22-12-5121	A-70344-0260	A-70344-0300	A-70344-0300								
21	22-12-5122	A-70344-0261	A-70344-0301	A-70344-0301								
22	22-12-5123	A-70344-0262	A-70344-0302	A-70344-0302								
23	22-12-5124	A-70344-0263	A-70344-0303	A-70344-0303								
24	22-12-5125	A-70344-0264	A-70344-0304	A-70344-0304								
25	22-12-5126	A-70344-0265	A-70344-0305	A-70344-0305								
26	22-12-5127	A-70344-0266	A-70344-0306	A-70344-0306								
27	22-12-5128	A-70344-0267	A-70344-0307	A-70344-0307								
28	22-12-5129	A-70344-0268	A-70344-0308	A-70344-0308								
29	22-12-5130	A-70344-0269	A-70344-0309	A-70344-0309								
30	22-12-5131	A-70344-0270	A-70344-0310	A-70344-0310								
31	22-12-5132	A-70344-0271	A-70344-0311	A-70344-0311								
32	22-12-5133	A-70344-0272	A-70344-0312	A-70344-0312								
33	22-12-5134	A-70344-0273	A-70344-0313	A-70344-0313								
34	22-12-5135	A-70344-0274	A-70344-0314	A-70344-0314								
35	22-12-5136	A-70344-0275	A-70344-0315	A-70344-0315								
36	22-12-5137	A-70344-0276	A-70344-0316	A-70344-0316								
37	22-12-5138	A-70344-0277	A-70344-0317	A-70344-0317								
38	22-12-5139	A-70344-0278	A-70344-0318	A-70344-0318								
39	22-12-5140	A-70344-0279	A-70344-0319	A-70344-0319								
40	22-12-5141	A-70344-0280	A-70344-0320	A-70344-0320								

STANDARD PRODUCT

MOLEX INCORPORATED  
 1000 CENTERS BREAKAWAY  
 SEE CHART  
 SDA-70344-0441

REV.	DESCRIPTION	DATE
1	SEE SHEET 1	
2	SEE SHEET 1	
3	SEE SHEET 1	
4	SEE SHEET 1	
5	SEE SHEET 1	
6	SEE SHEET 1	
7	SEE SHEET 1	
8	SEE SHEET 1	
9	SEE SHEET 1	
10	SEE SHEET 1	
11	SEE SHEET 1	
12	SEE SHEET 1	
13	SEE SHEET 1	
14	SEE SHEET 1	
15	SEE SHEET 1	
16	SEE SHEET 1	
17	SEE SHEET 1	
18	SEE SHEET 1	
19	SEE SHEET 1	
20	SEE SHEET 1	
21	SEE SHEET 1	
22	SEE SHEET 1	
23	SEE SHEET 1	
24	SEE SHEET 1	
25	SEE SHEET 1	
26	SEE SHEET 1	
27	SEE SHEET 1	
28	SEE SHEET 1	
29	SEE SHEET 1	
30	SEE SHEET 1	
31	SEE SHEET 1	
32	SEE SHEET 1	
33	SEE SHEET 1	
34	SEE SHEET 1	
35	SEE SHEET 1	
36	SEE SHEET 1	
37	SEE SHEET 1	
38	SEE SHEET 1	
39	SEE SHEET 1	
40	SEE SHEET 1	

RIGHT ANGLE HEADER ASSEMBLY  
 .000 CENTERS BREAKAWAY  
 REVISIONS  
 LTR. REVISIONS  
 LTR. REVISIONS

REVISIONS  
 LTR. REVISIONS  
 LTR. REVISIONS