

## PLASTIC SHELL RIBBON CONNECTOR 14, 24, 36 AND 50 POSITION, MALE



LR92984 E60980

### PHYSICAL PROPERTIES

INSULATION MATERIAL: Glass filled thermoplastic, rated UL 94V-0  
COLOR: Blue

CONTACT MATERIAL: Beryllium copper: 30μ inches minimum gold over 50μ inches nickel in contact zone: tin-lead over nickel in termination area.

### ELECTRICAL PROPERTIES

CURRENT RATING: 1 Amp

INSULATION RESISTANCE: >1000 Megohms @ 500 VDC

Dielectric Strength: >1000 VRMS (Sea Level)

### ENVIRONMENTAL PROPERTIES

TEMPERATURE RATING: -55°C to 125°C

### APPLICATION TOOLING

HAND TOOL 779-2100

use Die 779-2172

BENCH PRESS (MANUAL) 779-3200

use Base Plate 779-3184

BENCH PRESS (PNEUMATIC) 779-3500XT

use Platen 779-3130

use Base Plate 779-3184

### ACCESSORIES

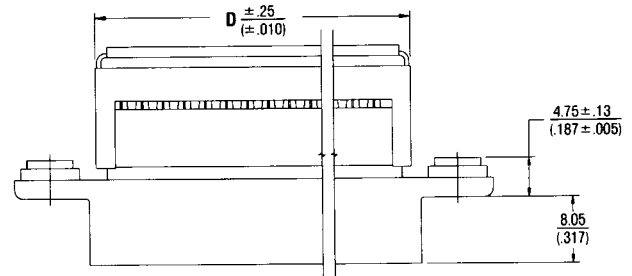
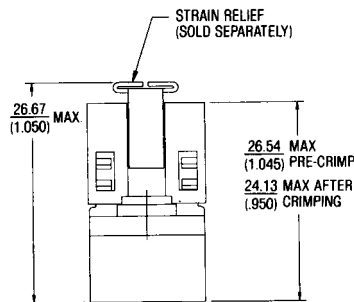
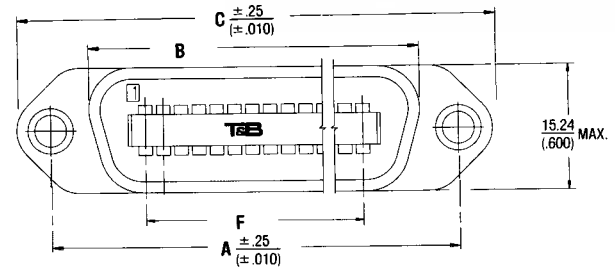
See pages 92-93

### CABLE

See pages 108-120

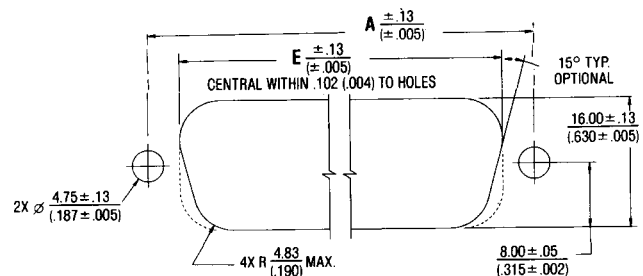
### STRAIN RELIEF

ADD RSR AFTER NUMBER OF POSITIONS IN PART NUMBER



### RECOMMENDED PANEL CUTOUT DIMENSIONS (BACK PANEL MOUNTED)

Maximum Panel Thickness: 3.18 / (.125).



### Ordering Information

M-MALE WITH THRU-HOLE MOUNTING EARS	CATALOG NUMBERS		NO. OF POS.	DIMENSIONS IN					
	M1-MALE WITH MOUNTING EARS 3.5 MM THREADED INSERT	M2-MALE WITH MOUNTING EARS 4-40 THREADED INSERT		MM	INCHES	A	B	C	D
622-14M	622-14M1	622-14M2	14	35.99 (1.417)	28.55 (1.124)	44.20 (1.740)	22.81 (.898)	29.84 (1.175)	12.95 (.510)
622-24M	622-24M1	622-24M2	24	46.79 (1.842)	39.34 (1.549)	54.99 (2.165)	35.51 (1.398)	40.64 (1.600)	23.75 (.935)
622-36M	622-36M1	622-36M2	36	59.74 (2.352)	52.30 (2.059)	67.95 (2.675)	50.75 (1.998)	53.59 (2.110)	36.70 (1.445)
622-50M	622-50M1	622-50M2	50	74.85 (2.947)	67.41 (2.654)	83.06 (3.270)	68.53 (2.698)	68.83 (2.710)	51.81 (2.040)