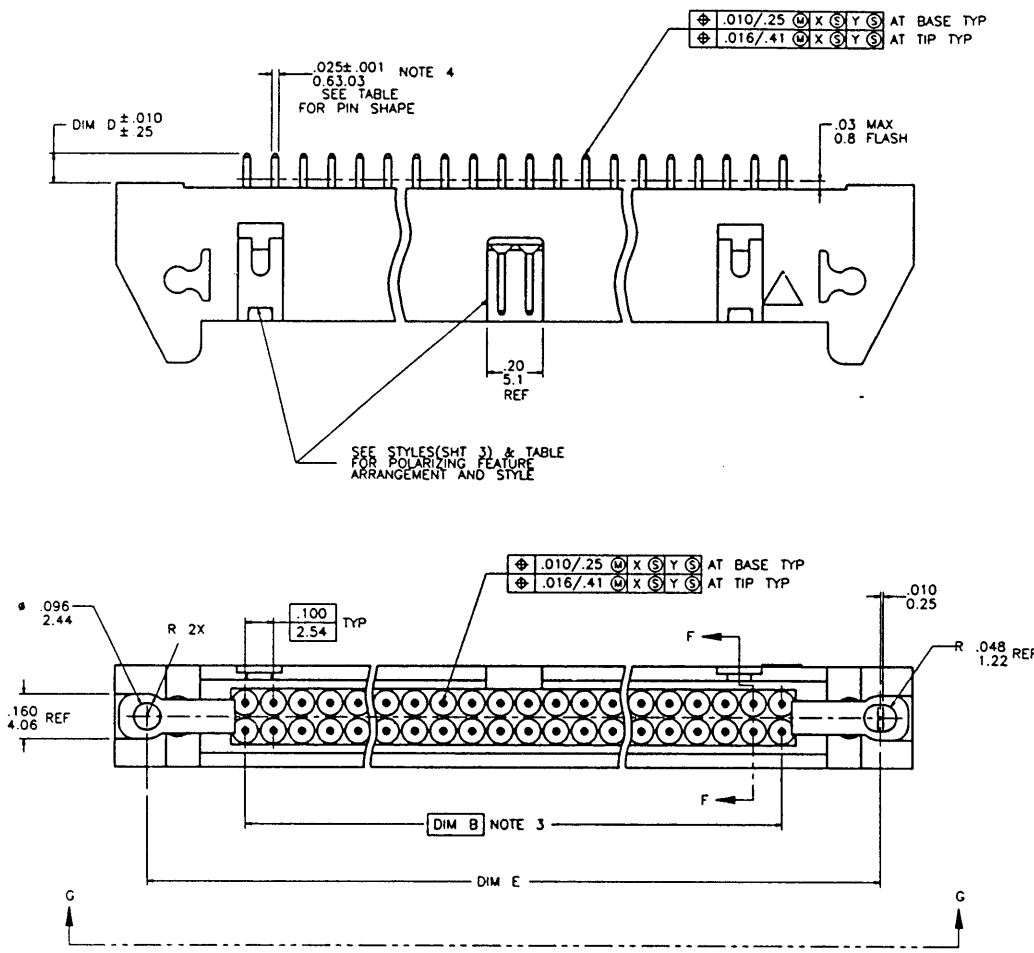


→ IF RED ←

PRODUCT NUMBER
SEE TABLE



REVISIONS				SHEET INDEX	ISSUE SH NO.	D	C	D	D	D	D	D	D	D	D	D	D	
REV	ECN/DDR#	BY	DATE															
A	APPROVED	JGS	11/20/89															
B	REDMADD -3RX	RDS	7/26/90															
C	EC-V22076	MSC	5/5/92															
D	EC-V30869	MSC	9/1/93															

BERG ELECTRONICS

DR: D.SHEAFFER 3/9/88
ENGR: M.SMYK 11/21/89
CHK: M.SMYK 11/21/89
APPR: M.SMYK 11/21/89

CUSTOMER COPY

THIRD ANGLE PROJ UNIT INCHES

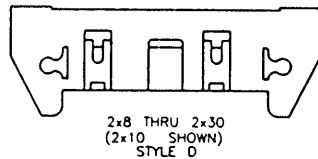
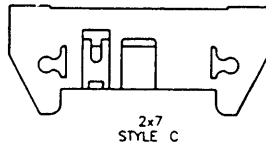
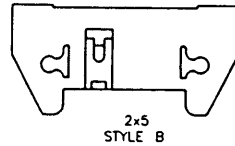
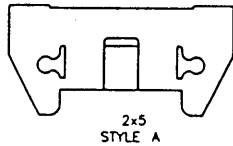
TITLE: HEADER, QUICKIE
SEA-HORSE, VERTICAL, DUPLEX

SCALE: 5/1 D DWG. NO: 86374 SHEET: 1 of 3

NOTE: THIS DOCUMENT IS THE PROPERTY OF AND EMBODIES PROPRIETARY INFORMATION OF BERG ELECTRONICS, INC. NO PART OF THE INFORMATION SHOWN ON THIS DOCUMENT MAY BE USED IN ANY WAY WITHOUT THE WRITTEN CONSENT OF BERG ELECTRONICS, INC. FORM E-3067 REV 8/93

PRODUCT NUMBER	
SEE TABLE	
THIS TABLE APPLIES TO P/N'S USING -XXXR	
SIZE	RETENTION PIN POSITION
2 x 5	3-4,5-6 OR 5-6,7-8
2 x 7	5-6,7-8 OR 7-8,9-10
2 x 8	7-8,9-10
2 x 10	9-10,11-12
2 x 12	11-12,13-14
2 x 13	11-12,13-14 OR 13-14,15-16
2 x 15	13-14,15-16 OR 15-16,17-18
2 x 17	15-16,17-18 OR 17-18,19-20
2 x 20	19-20,21-22
2 x 22	21-22,23-24
2 x 25	23-24,25-26 OR 25-26,27-28
2 x 30	29-30,31-32

APPROXIMATELY
IN THE
CENTER
OF EACH PART



NOTES:

- ① MOLDING MAT'L: 30% GLASS FILLED POLYESTER, FLAME RETARDANT PER UL-94V-0, COLOR: BLUE, 16-508-069.
2. 1' MAX DRAFT PERMISSIBLE ON ALL SURFACES UNLESS OTHERWISE SPECIFIED.
- ③ BASIC DIM SHALL BE LOCATED SYMMETRICAL TO DATUM -Y-.
- ④ PIN MAT'L: 3/4 HARD PHOSPHOR BRONZE ALLOY UNS C-51000.
5. PLATING ON LEAD-IN PORTION OF PIN IS MANUFACTURING OPTION.
6. 5LBS/2.3KG MIN PIN RETENTION IN BOTH DIRECTIONS.
7. THE LATCHES THAT ARE INSTALLED IN SOME HEADERS MUST WITHSTAND A PUSHOUT FORCE OF .5LBS/0.2KG MIN WHILE IN THE INSTALLATION POSITION.
8. RECOMMENDED MOUNTING SCREW SIZE #2-56 FILLISTER HEAD MACHINE SCREW 1/4" LONG FOR 1/16" AND 3/32" BOARD, 5/16" LONG FOR 1/8" BOARD.
- ⑨ RETENTION FEATURE AVAILABLE ON ROUND PIN P/N'S ONLY. RETENTIVE P/N INCLUDES THE LETTER "R" AFTER THE EXISTING P/N.
EXAMPLE: 86374-XXX FOR EXISTING P/N
86374-XXXR FOR RETENTIVE P/N
RETENTIVE FEATURE LOCATION-SEE TABLE DIMENSIONS-SEE SECTION R-R.

REVISIONS				SHEET INDEX	ISSUE SH NO.	TOLERANCES UNLESS OTHERWISE SPECIFIED				FINISH	DR	ENGR	CHK	APPD	DATE	CUSTOMER COPY	TITLE	
REV	ECN/DOR#	BY	DATE			LINEAR	ANGLES	DR	ENGR									CHK
C						0.005	0.01	0.005	0.01	0.005	0.01	0.005	0.01	0.005	0.01			HEADER, QUICKIE SEA-HORSE, VERTICAL, DUPLEX
						0.0002	0.0020	0.0002	0.0051									SCALE: 1/1 D
																		86374
																		2 OF 2

BERG
ELECTRONICS

