



## Features

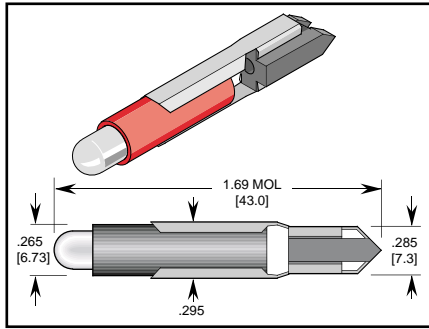
- Replaces T2-#2 Teleslide Incandescent Lamp #24X, #24E
- Long Life 100,000+ hrs (10 years)
- Solid-State, High Shock/Vibration Resistant
- Maintenance Free, Easy Installation

- Low Power, High Intensity
- Major Power Savings
- Major Reduction in Heat Generation
- Built-in Current Limiting Resistor Including External Resistor

## Options

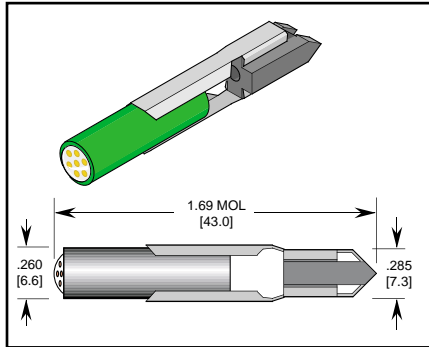
- Special Voltages
- Other Industry Standard Bases
- Choice of Multichips and Multi-LED Clusters
- Sunlight Visible Super Bright

### T2- #2 Telephone Slide, Single Chip, Super Bright



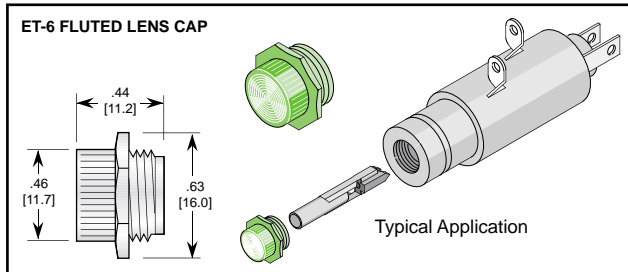
Part Number	Color	Circuit Rating Volts	Circuit Voltage		External Series Resistor OHMs	Incandescent Lamp Number	Incandescent Lamp Voltage Rating	Color Code (-0XX) / (1XX)
			Min	Max				
UTL24X-0XX	SEE CHART	24VDC	22	28	110	24E / 24X	28V	UR ● RED UO ● ORANGE UY ● YELLOW IW ● INC. WHITE CW ● COOL WHITE AG ● GREEN UB ● BLUE
UTL24X-1XX	SEE CHART	48VDC	44	56	900	24E / 24X	28V	
		67VAC	55	76	1500			
		115VAC	95	130	2800			
		125VDC	110	140	3300			
		230VAC	220	280	6300			
250VDC	220	280	7200					

### T2- #2 Telephone Slide, Multi-chip, High Intensity

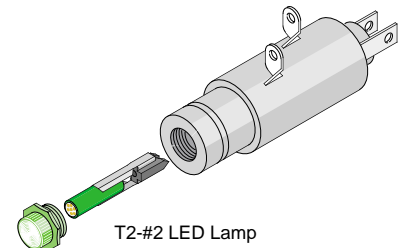


Part Number	Color	Circuit Rating Volts	Circuit Voltage		External Series Resistor OHMs	Incandescent Lamp Number	Incandescent Lamp Voltage Rating	Color Code (-0XX) / (1XX)
			Min	Max				
BSD-1010-0XX	SEE CHART	24VDC	22	28	110	24E / 24X	28V	001 ● ULTRA-RED 002 ● HI-EFF RED 003 ● ORANGE 004 ● YELLOW 005 ● LIME YELLOW 006 ● GREEN 007 ● PURE GREEN 008 ● BLUE 026 ● PALE WHITE
		48VDC	44	56	900			
		67VAC	55	76	1500			
		115VAC	95	130	2800			
		125VDC	110	140	3300			
		230VAC	220	280	6300			
		250VDC	220	280	7200			

### Replacement Lens Caps for ET-5 and ET-6 Holders



Part Number	Color
RPNL-1040-001A	WATER CLEAR ●
RPNL-1040-101A	CLOUDY CLEAR ●
RPNL-1040-022A	RED ●
RPNL-1040-044A	AMBER ●
RPNL-1040-055A	YELLOW ●
RPNL-1040-066A	GREEN ●
RPNL-1040-088A	BLUE ●

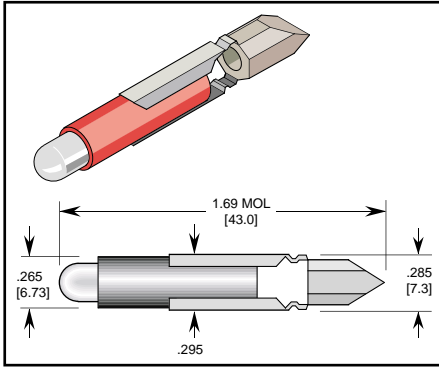




# Energy Efficient Direct Incandescent Replacement 24E1/24EX UtilityLED™ Lamps

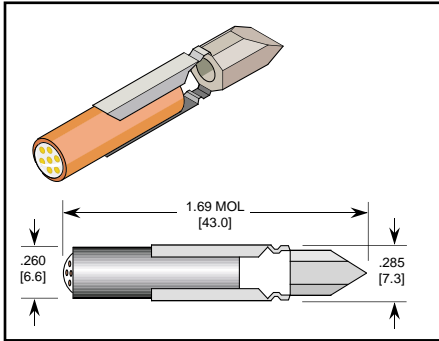
## Direct Replacement LED Lamp for GE ET-6 Lampholders

### T2- #1 Telephone Slide, Single Chip, Super Bright



Part Number	Color	Circuit Rating Volts	Circuit Voltage		External Series Resistor OHMs	Incandescent Lamp Number	Incandescent Lamp Voltage Rating	Color Code (-0XX) / (1XX)
			Min	Max				
UTL24E-0XX	SEE CHART	24VDC	22	28	110	24E1 24EX	28V	UR ● RED UO ● ORANGE UY ● YELLOW IW ● INC. WHITE CW ● COOL WHITE AG ● GREEN UB ● BLUE
UTL24E-1XX	SEE CHART	48VDC	44	56	900			
		67VAC	55	76	1500			
		115VAC	95	130	2800			
		125VDC	110	140	3300			
		230VAC	220	280	6300			
		250VDC	220	280	7200			

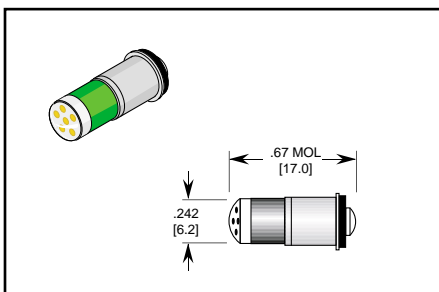
### T2- #1 Telephone Slide, Multi-chip, High Intensity



Part Number	Color	Circuit Rating Volts	Circuit Voltage		External Series Resistor OHMs	Incandescent Lamp Number	Incandescent Lamp Voltage Rating	Color Code (-0XX) / (1XX)
			Min	Max				
BSD-1174-0XX	SEE CHART	24VDC	22	28	110	24E1 24EX	28V	001 ● ULTRA-RED 002 ● HI-EFF RED 003 ● ORANGE 004 ● YELLOW 005 ● LIME YELLOW 006 ● GREEN 007 ● PURE GREEN 008 ● BLUE 026 ● PALE WHITE
		48VDC	44	56	900			
		67VAC	55	76	1500			
		115VAC	95	130	2800			
		125VDC	110	140	3300			
		230VAC	220	280	6300			
		250VDC	220	280	7200			

## Direct Replacement LED Lamp for Microswitch PWT2303, 2313, 2443, 5303, 5313, 5343

### T1 3/4 Midget Flange, Multi-chip, High Intensity



Part Number	Color	Circuit Rating Volts	Circuit Voltage		External Series Resistor OHMs	Incandescent Lamp Number	Incandescent Lamp Voltage Rating	Color Code (-0XX) / (1XX)
			Min	Max				
UTL387-0XX	SEE CHART	24VDC	22	28	110	327 387	28V	001 ● ULTRA-RED 002 ● HI-EFF RED 003 ● ORANGE 004 ● YELLOW 005 ● LIME YELLOW 006 ● GREEN 007 ● PURE GREEN 008 ● BLUE 026 ● PALE WHITE
UTL387-1XX	SEE CHART	48VDC	44	56	900			
		67VAC	55	76	1500			
		115VAC	95	130	2800			
		125VDC	110	140	3300			
		230VAC	220	280	6300			
		250VDC	220	280	7200			