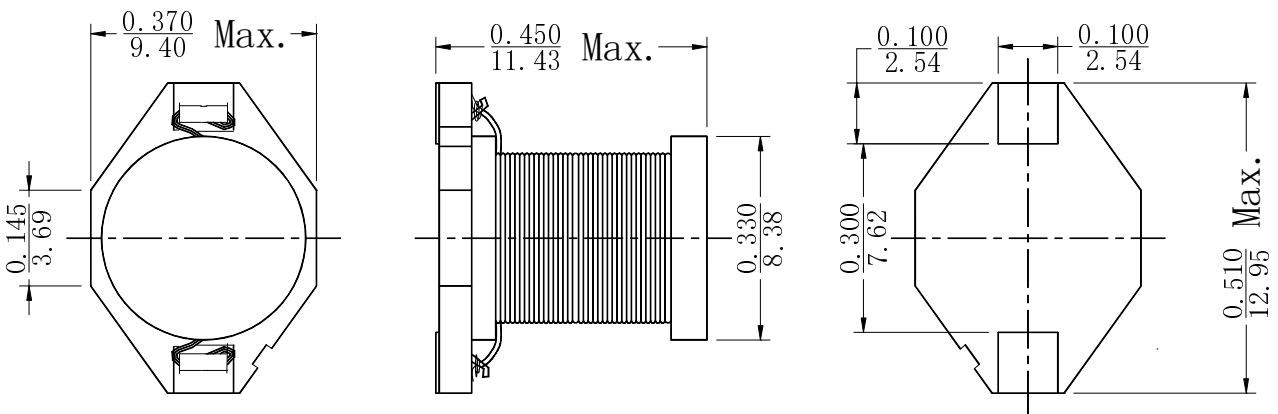
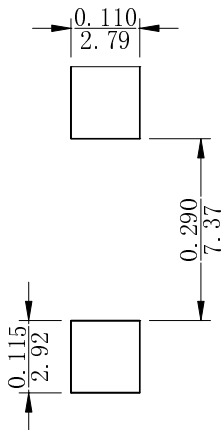
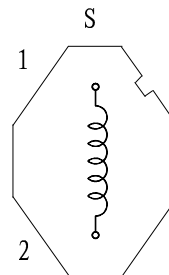


Type: CDR910
◆ Product Description

- 12.95×9.4mm Max.(L×W), 11.43mm Max. Height.
- Inductance range: 18μH~1.0mH.
- Rated current range: 0.36~2.92A.
- Custom inductors are also available to meet your exact requirements.


◆ Feature

- Magnetically unshielded construction.
- Storage temperature range: -40°C~+105°C.
- Operating temperature range: -40°C~+105°C (Including coil's self temperature rise).
- Ideally used in Communication devices like ×DSL modem, router and access point.
- RoHS compliance and Halogen free.

◆ Dimensions ($\frac{\text{inch}}{\text{mm}}$)

◆ Land Pattern ($\frac{\text{inch}}{\text{mm}}$)

◆ Schematics (Bottom)


Type: CDR910
◆ Specification

Part Name ※	Stamp	Inductance (μH) 100kHz/1V	D.C.R.(Ω) Max.(Typ.) (at 20°C)	Saturation Current (A) ※1	Temperature Rise Current (A)※2
CDR910NP-180M□	180	18 \pm 20%	49m (39m)	4.80(6.00)	2.92(3.40)
CDR910NP-220M□	220	22 \pm 20%	56m (45m)	4.24(5.30)	2.88(3.30)
CDR910NP-330M□	330	33 \pm 20%	68m (54m)	3.52(4.40)	2.60(2.95)
CDR910NP-470M□	470	47 \pm 20%	100m (80m)	2.92(3.65)	2.19(2.49)
CDR910NP-680M□	680	68 \pm 20%	0.148 (0.118)	2.40(3.00)	1.70(1.95)
CDR910NP-101M□	101	100 \pm 20%	0.190 (0.152)	2.00(2.50)	1.47(1.67)
CDR910NP-151M□	151	150 \pm 20%	0.296 (0.237)	1.60(2.00)	1.17(1.33)
CDR910NP-221M□	221	220 \pm 20%	0.435 (0.348)	1.34(1.68)	0.93(1.02)
CDR910NP-331M□	331	330 \pm 20%	0.681 (0.545)	1.10(1.38)	0.80(0.90)
CDR910NP-471M□	471	470 \pm 20%	0.843 (0.674)	0.94(1.18)	0.70(0.80)
CDR910NP-681M□	681	680 \pm 20%	1.26 (1.05)	0.82(1.02)	0.50(0.58)
CDR910NP-102M□	102	1000 \pm 20%	1.84 (1.53)	0.60(0.76)	0.36(0.42)

※ Description of part name

CDR910NP-180M□

- B Box
- C Carrier Tape

※1.Saturation current: The DC current at which the inductance decreases to 90% of its nominal value.

※2.Temperature rise current: The DC current at which the temperature rise is $\Delta t=40^{\circ}\text{C}$.($T_a=20^{\circ}\text{C}$)