

Board to Board Connector

PB-8 Series 0.8mm Spacing



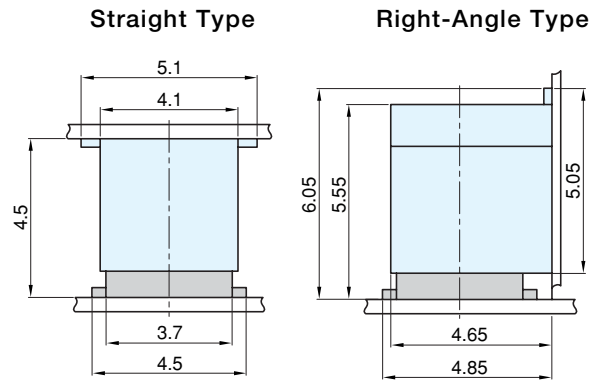
■ Features

1. 0.8mm spacing board-to-board connector with SMT provision.
2. Applicable to an automatic mounter or capable of being fed in an embossed taping system.
3. Non-pin type construction assures easy, light insertion.

■ Specifications

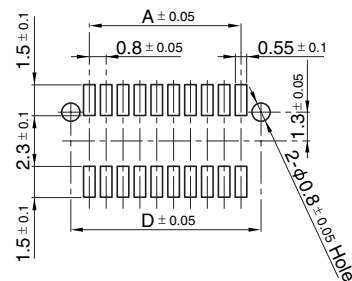
1. Rating : 0.5A, 50A AC/DC
2. Contact Resistance : 20mΩ, max.
3. Insulation Resistance : 100MΩ, min.at 500V DC
4. Withstanding Voltage : AC 500V for one minute
5. Operating Temperature Range : -30°C to +85°C

■ Connection Diagram

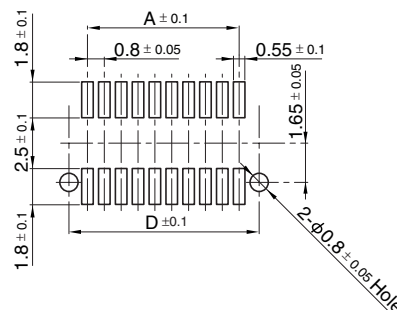


■ P.C. Board Dimension

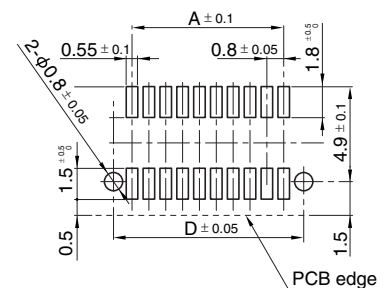
Socket



Straight Plug



Right-Angle Plug



● Socket CPB 81 -F

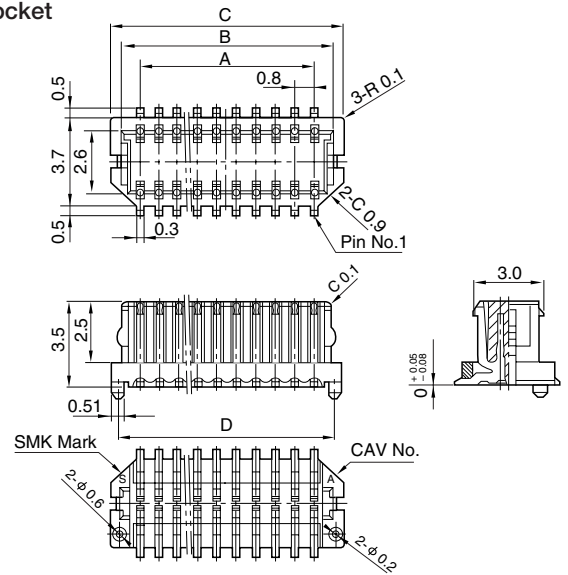
↑ No. of Pins

<input type="checkbox"/> <input type="checkbox"/>	A	B	C	D	<input type="checkbox"/> <input type="checkbox"/>	A	B	C	D
10	3.2	4.8	5.6	5.0	28	10.4	12.0	12.8	12.2
12	4.0	5.6	6.4	5.8	30	11.2	12.8	13.6	13.0
14	4.8	6.4	7.2	6.6	32	12.0	13.6	14.4	13.8
16	5.6	7.2	8.0	7.4	34	12.8	14.4	15.2	14.6
18	6.4	8.0	8.8	8.2	36	13.6	15.2	16.0	15.4
20	7.2	8.8	9.6	9.0	38	14.4	16.0	16.8	16.2
22	8.0	9.6	10.4	9.8	40	15.2	16.8	17.6	17.0
24	8.8	10.4	11.2	10.6	48	18.4	20.0	20.8	20.2
26	9.6	11.2	12.0	11.4	54	20.8	22.4	23.2	22.6

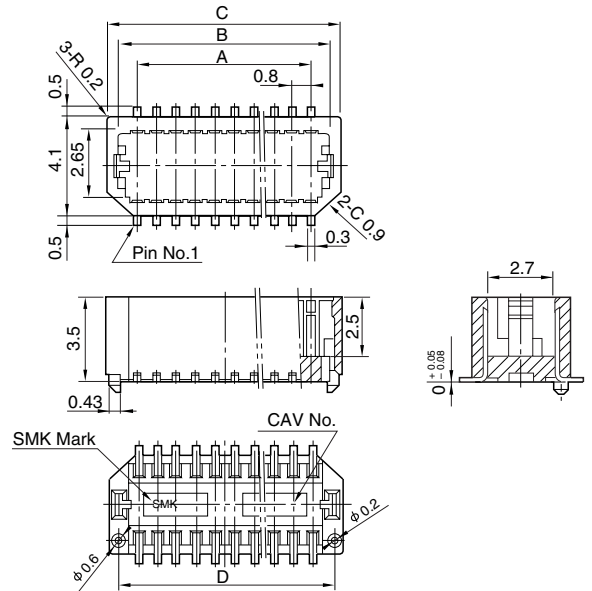
■ Material and Plating

- Housing : Polyphenylene Sulfide (PPS), Natural Color, 94V-0
- Contact : Phosphor Bronze, Sn Plating
- Hold Down : Phosphor Bronze, Sn Plating

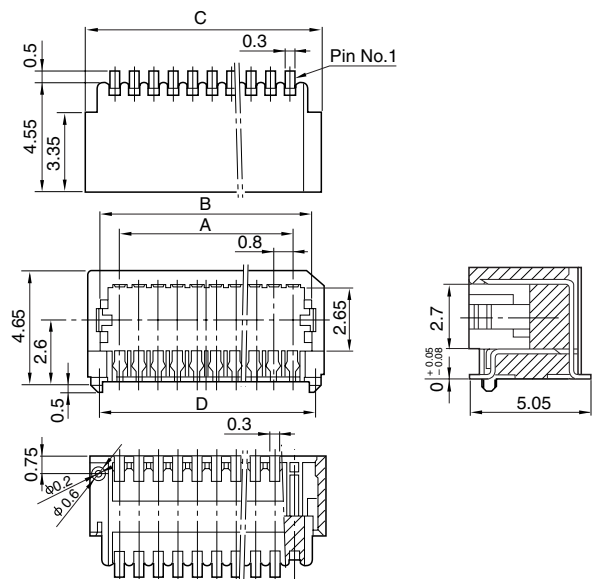
Socket



Straight Plug



Right-Angle Plug



● Plug CPB 82 -F (Straight Type)
CPB 83 -F (Right-Angle Type)

↑ No. of Pins

<input type="checkbox"/> <input type="checkbox"/>	A	B	C	D	<input type="checkbox"/> <input type="checkbox"/>	A	B	C	D
10	3.2	4.9	5.8	5.0	28	10.4	12.1	13.0	12.2
12	4.0	5.7	6.6	5.8	30	11.2	12.9	13.8	13.0
14	4.8	6.5	7.4	6.6	32	12.0	13.7	14.6	13.8
16	5.6	7.3	8.2	7.4	34	12.8	14.5	15.4	14.6
18	6.4	8.1	9.0	8.2	36	13.6	15.3	16.2	15.4
20	7.2	8.9	9.8	9.0	38	14.4	16.1	17.0	16.2
22	8.0	9.7	10.6	9.8	40	15.2	16.9	17.8	17.0
24	8.8	10.5	11.4	10.6	48	18.4	20.1	21.0	20.2
26	9.6	11.3	12.2	11.4	54	20.8	22.5	23.4	22.6

■ Material and Plating

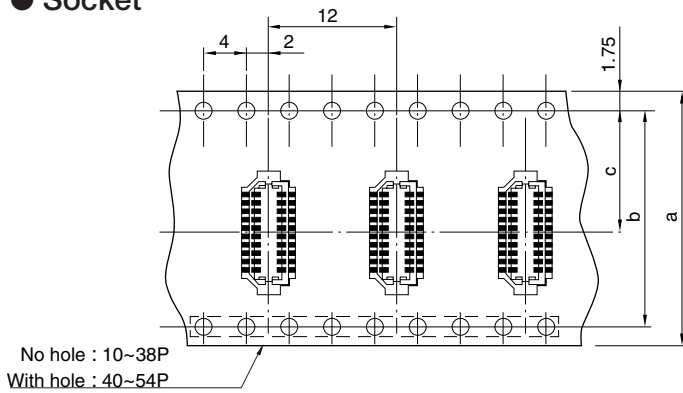
- Housing : Polyphenylene Sulfide (PPS), Natural Color, 94V-0
- Contact : Phosphor Bronze, Sn Plating
- Hold Down : Phosphor Bronze, Sn Plating

■ Variation and Packaging

<input type="checkbox"/> <input type="checkbox"/>	Hold Down	<input type="checkbox"/> <input type="checkbox"/>	Packaging	Boss
01	Without	00	Stick Type	Without
02	With	01	Stick Type	With
		10	Embossed Taping Pack	Without
		11	Embossed Taping Pack	With

Dimensions of Reels and Tapes (JIS Standard)

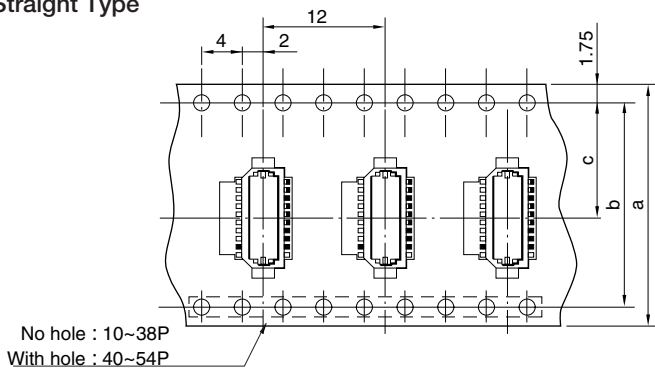
● Socket



No. of Pins	a	b	c
10	16.0	/	7.5
12			
14			
16			
18			
20			
22	24.0	/	11.5
24			
26			
28			
30			
32			
34			
36			
38			
40	32.0	28.4	14.2
48			
54			
54	44.0	40.4	20.2

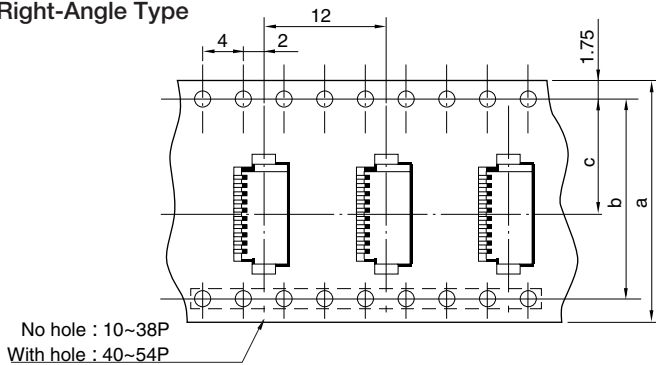
● Plug

Straight Type



No. of Pins	a	b	c
10	16.0	/	7.5
12			
14			
16			
18			
20			
22	24.0	/	11.5
24			
26			
28			
30			
32			
34			
36			
38			
40	32.0	28.4	14.2
48			
54			
54	44.0	40.4	20.2

Right-Angle Type



■ Reel Dimension
1,000pcs/reel
(Socket, Plug)

