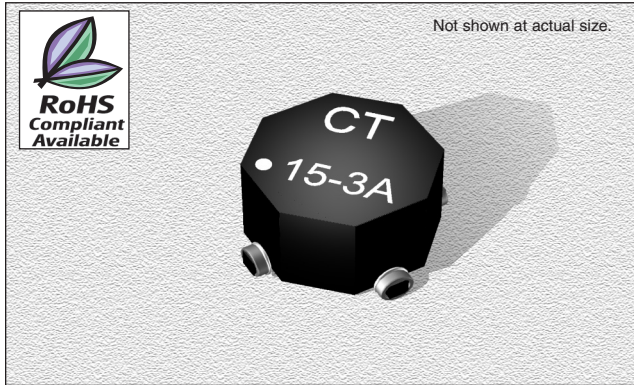


CTCTX-3A Series

From 0.368 μH to 296.20 μH

SPECIFICATIONS

Parts are available in $\pm 25\%$ tolerance only.
CTCTXE----3A Please specify "F" for RoHS compliant.



Part Number	PARALLEL			SERIES		
	OCL ($\mu\text{H} \pm 25\%$)	DCR Typ. (Ω)	I _{rms} (A)	OCL ($\mu\text{H} \pm 25\%$)	DCR Typ. (Ω)	I _{rms} (A)
CTCTX_0.33-3A	0.368	0.0032	11.4	1.47	0.0128	5.72
CTCTX_0.68-3A	0.688	0.0048	9.3	2.75	0.0194	4.64
CTCTX_1-3A	1.080	0.0059	8.38	4.20	0.0238	4.19
CTCTX_2-3A	2.11	0.0079	7.26	8.43	0.0317	3.63
CTCTX_5-3A	5.20	0.015	5.24	20.81	0.061	2.62
CTCTX_8-3A	8.43	0.023	4.23	33.77	0.093	2.12
CTCTX_10-3A	9.68	0.032	3.64	38.70	0.126	1.82
CTCTX_15-3A	15.52	0.039	3.25	62.09	0.158	1.63
CTCTX_20-3A	20.81	0.071	2.43	83.25	0.282	1.22
CTCTX_25-3A	24.77	0.076	2.34	99.07	0.306	1.17
CTCTX_33-3A	33.71	0.112	1.93	134.80	0.449	0.96
CTCTX_50-3A	49.71	0.171	1.56	198.80	0.686	0.78
CTCTX_68-3A	68.80	0.253	1.28	275.20	1.013	0.64
CTCTX_100-3A	99.07	0.379	1.05	396.30	1.514	0.53
CTCTX_150-3A	149.70	0.571	0.86	598.70	2.283	0.43
CTCTX_200-3A	198.80	0.829	0.71	795.30	3.315	0.35
CTCTX_300-3A	296.20	1.309	0.56	1185.00	5.236	0.28

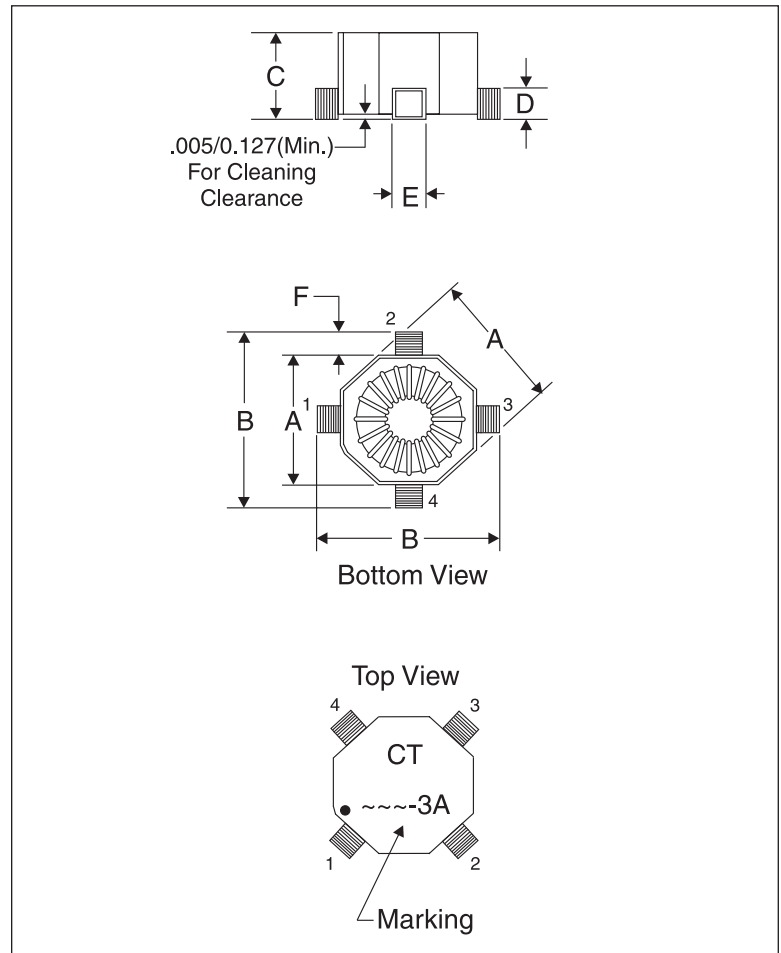
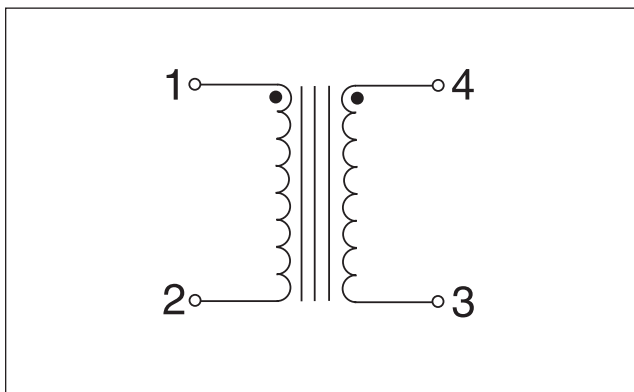
PHYSICAL DIMENSIONS

Size	A Nom.	B Nom.	C Max.	D Max.	E Max.	F Min.
mm	11.38	13.9	5.74	3.00	3.23	0.762
inches	0.45	0.55	0.23	0.12	0.13	0.03

CHARACTERISTICS

- Description:** SMD Toroidal Common Mode Choke
- Applications:** Single inductors, 1:1 coupled inductors, & 1:1 isolation transformers
- Operating Temperature:** -40°C to +85°C
- Storage Temperature:** -40°C to +125°C
- Inductance Tolerance:** $\pm 25\%$
- Testing:** Inductance is tested on an HP4285A at 100 kHz
- Packaging:** Tape & Reel
- Marking:** Parts marked with inductance code & series type
- Miscellaneous:** RoHS Compliant available.
- Additional Information:** Additional electrical & physical information available upon request
- Samples available.** See website for ordering information.

CONNECTION DIAGRAM



06.06.07