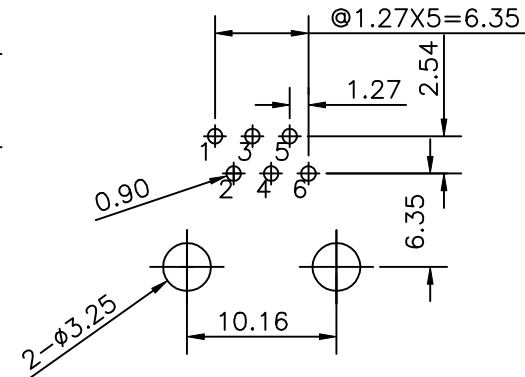
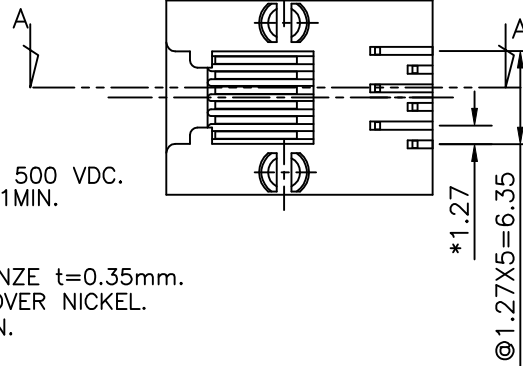
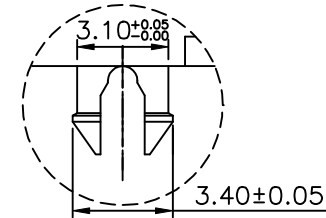
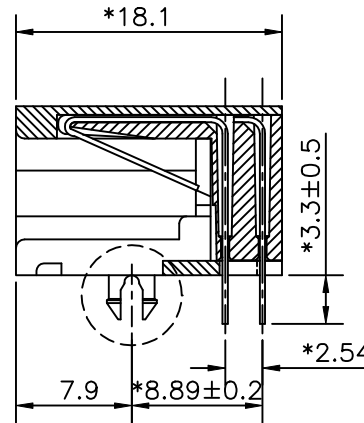
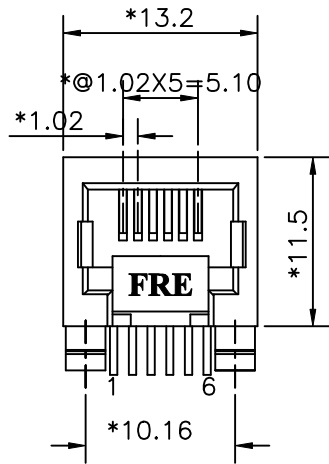


REVISION RECORD				
REV	ECO	DESCRIPTION	DRFT	CHKD
△		DRAWING MODIFY	JMM/11/29/05	
△		DRAWING MODIFY	JMM/12/16/05	



NOTES:

ELECTRICAL:

- VOLTAGE RATING : 125 VAC RMS.
- CURRENT RATING : 1.5 AMP.
- CONTACT RESISTANCE : 35 MILLIOHMS MAX.
- INSULATION RESISTANCE: 1000 MEGOHMS MIN @ 500 VDC.
- DIELECTRIC STRENGTH : 1000 VAC RMS 60Hz, 1MIN.

MECHANICAL:

- HOUSING MATERIAL : PBT UL94V-0.
- CONTACT MATERIAL : PHOSPHOR BRONZE t=0.35mm.
- PLATING : GOLD PLATING OVER NICKEL.
- OPERATING LIFE : 750 CYCLES MIN.
- PCB RETENTION PRE-SOLDER : 1 LB MIN.
- PCB RETENTION POST-SOLDER: 10 LBS MIN.

ENVIRONMENTAL:

- STORAGE : -40°C TO +85°C.
- OPERATION: 0°C TO 70°C.
- WAVE SOLDERING TEMPERATURE: 230°C TO 250°C 5-10 SECONDS.

MATES WITH MODULAR PLUG CONFORMING TO FCC PART 68, SUBPART F.

△ ROHS PART NUMBER: E536X-FOXXXX-L

NO OF CONTACT:
2- 2C
4- 4C
6- 6C

- 21-PBT+30% W/ FRE LOGO △
- 2R-PBT+30% W/O FRE LOGO △
- B1-PBT+30% YELLOW(HS'G) W/ FRE LOGO △
- C1-PBT+30% GREEN(HS'G) W/ FRE LOGO △
- C2-PBT+30% GREEN W/ FRE LOGO △
- U1-PBT+30% GRAY W/ FRE LOGO △
- UR-PBT+30% BLACK W/O FRE LOGO △

- 0-SINGLE PORT △
- V- SINGLE PORT, COOL GRAY PBT+15% △

MM (INCH)		DFTO ANKUE	DATE 9/02/2005	FULL RISE ELECTRONIC CO., LTD	
TOLERANCES EXCEPT AS NOTED		CHKDANKUE	DATE 2005/12/17		
		MFO	DATE	TITLE DEEP TYPE 11.5 SIDE ENTRY 6P	
		APPLVLSHENG	DATE 2005/12/17		
MM		MATERIAL :		DRAWING NO. GE533079-LC	
.0 ± 0.2		FINISH :			
.00 ± 0.15		SCALE : 3:1		A3	2
.000 ± 0.075		DO NOT SCALE DRAWING		/PART NO. SEE NOTE	
ANGLES ±		SHEET 1 OF 1			
THIRD ANGLE PROJECTION					